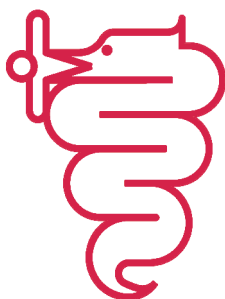


# BZ10



**BEZZERA**

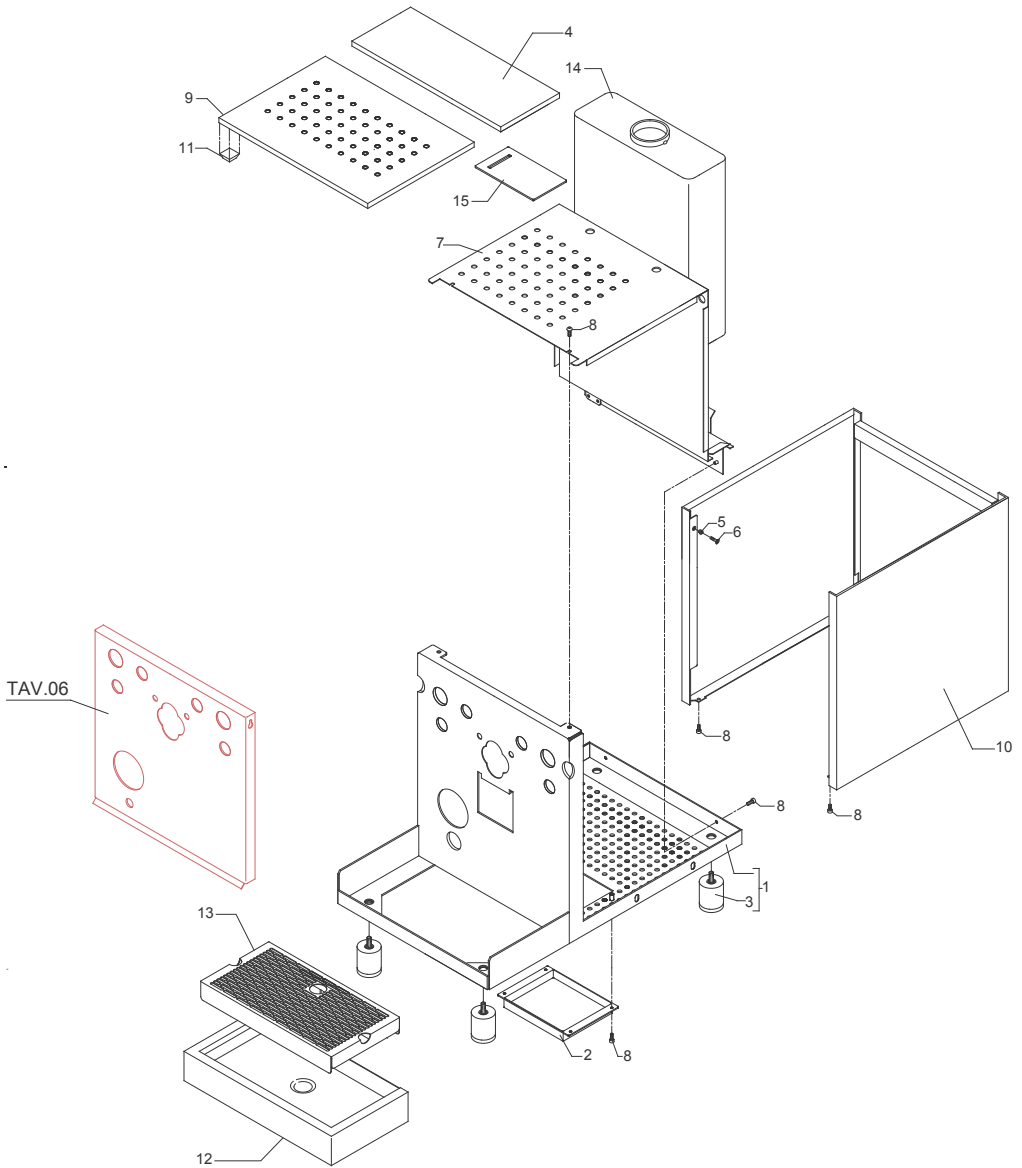
Dal 1901

**COD. 9942047.04**

**REV.00**



TABLE 1



<b>TABLE 2 (up to 18.03.13)</b>	<b>POS</b>	<b>CODE</b>	<b>DESCRIPTION</b>
	1	5283049	SURPRESSION VALVE BODY
	2	7496018	OR GASKET 105 VITON
	3	5224615TP	GASKET-HOLDER
	4	5471506.01	CALIBRATED SPRING D1 H26 AISI 302
	5	5471505	CALIBRATED SPRING D0.45 H22 AISI 302
	6	5302017TP	STRAIGHT FITTING M12 H26.5 OT
	7	5493001	GASKET D8 X 4 EPT 70SH
	8	5224619TP	GASKET-HOLDER
	9	7496052	OR GASKET 114
	10	5302072	RUBBER-HOLDER FITTING
	11	5965165	ASSEMBLY SURPRESSION VALVE
	12	5221844	NUT 1/8" G H3
	13	7304514TR	FITTING
	14	7496018	OR GASKET 105 VITON
	15	7452512	VALVE
	16	7496085	OR GASKET D7.2X1.9 NBR 70SH
	17	7304507TR	UNION ELBOW 1/8" G MF OT
	18	5225411TP	FITTING 1/8" G MF
	19	5301504TR	UNION ELBOW 1/8" G X M12
	20	5162303.01LL	BOILER LOAD HOSE
	21	7630328	SOLENOID VALVE COIL 220/230V PARKER
	21	7630327	SOLENOID VALVE COIL 110V PARKER
	21	7630329	SOLENOID VALVE COIL 240V PARKER
	22	7702310	SOLENOID VALVE 2 WAY 230V PARKER
	22	7701111	SOLENOID VALVE 2 WAY 115V PARKER
	22	7702409	SOLENOID VALVE 2 WAY 240V PARKER
	23	5194586	HOSE 8X5 L=200 SILICONE
	24	7303033	FITTING "Y"
	25	5194610	HOSE 6X4 L=250 SILICONE
	26	5194571	HOSE D6X4X1 L=200 SILICONE

TABLE 2 (up to 18.03.13)

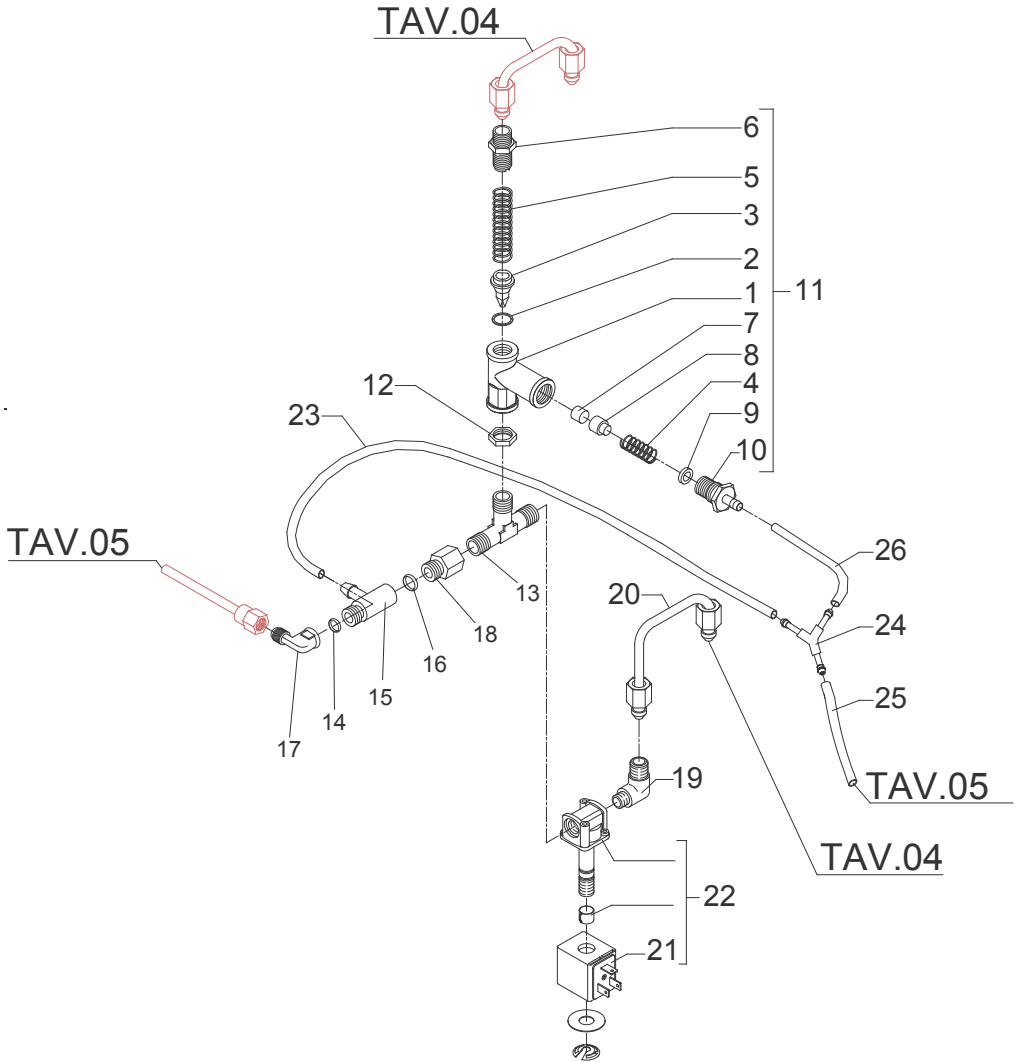
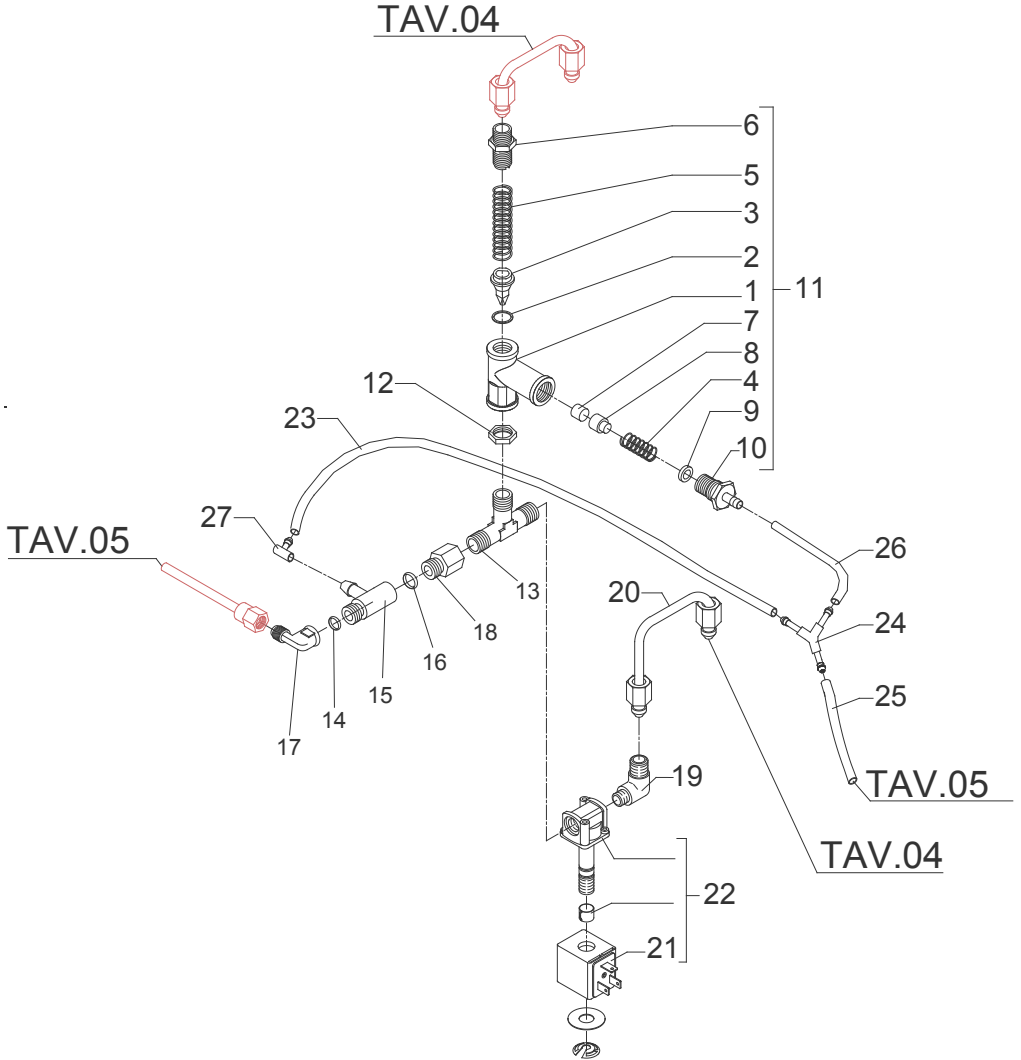


TABLE 2 (from 19.03.13)

POS	CODE	DESCRIPTION
1	5283053TP	SURPRESSION VALVE BODY
2	7496018	OR GASKET 105 VITON
3	5224615TP	GASKET-HOLDER
4	5471539	CALIBRATED SPRING D.1,6
5	5471505	CALIBRATED SPRING D0.45 H22 AISI 302
6	5302017TP	STRAIGHT FITTING M12 H26.5 OT
7	5493042	GASKET D.11X3
8	5224620TP	GASKET-HOLDER
9	7496052	OR GASKET 114
10	5302077TP	RUBBER-HOLDER FITTING
11	5965212AL	ASSEMBLY SURPRESSION VALVE 12BAR
12	5221844	NUT 1/8" G H3
13	7304514TR	FITTING
14	7496018	OR GASKET 105 VITON
15	7452512	VALVE
16	7496085	OR GASKET D7.2X1.9 NBR 70SH
17	7304507TR	UNION ELBOW 1/8" G MF OT
18	5225411TP	FITTING 1/8" G MF
19	5301504TR	UNION ELBOW 1/8" G X M12
20	5162303.01LL	BOILER LOAD HOSE
21	7630328	SOLENOID VALVE COIL 220/230V PARKER
21	7630327	SOLENOID VALVE COIL 110V PARKER
21	7630329	SOLENOID VALVE COIL 240V PARKER
22	7702310	SOLENOID VALVE 2 WAY 230V PARKER
22	7701111	SOLENOID VALVE 2 WAY 115V PARKER
22	7702409	SOLENOID VALVE 2 WAY 240V PARKER
23	5194571	HOSE D6X4X1 L=200 SILICONE
24	7303033	FITTING "Y"
25	5194610	HOSE 6X4 L=250 SILICONE
26	5194571	HOSE D6X4X1 L=200 SILICONE
27	7303006	RUBBER-HOLDER FITTING

TABLE 2 (from 19.03.13)



<b>POS</b>	<b>CODE</b>	<b>DESCRIPTION</b>
1	7371511.01	LEVER KNOB
2	5222823CM	RING NUT 3/8"G H17
3	5225608	ARTICULATION M8 INOX
4	5260203DL	SHAFT D12X47
5	5471513	SPRING
6	5261801	WASHER D11
7	5494004	GASKET D12 X 6 PTFE GRAPHITIZED
8	5221826CM	NUT 3/8"G ES.22X5
9	5283047TW	TAP BODY OT
10	5496042	GASKET D11X4X4 EPT 70 (C6)
11	5224603TP	GASKET-HOLDER
12	5964084AL	ASSEMBLY TAP
13	5225410TP	FITTING M14XM13 H26
14	5966548AL	ASSEMBLY WATER HOSE
15	7496072	OR GASKET 121
16	5471532	SPRING
17	5190501	COMPLETE CUP
18	5221872TW	NUT 3/8"G
19	7496073	OR GASKET 115 EP856
20	5225607TW	WATER HOSE CHROMED
21	7496003	OR GASKET 108 VITON
22	5226610TW	WATER HOSE TERMINAL D23.5X18 OT CHROMED
23	5493003	GASKET D20.5X15 H1.5 NBR 70SH
24	5226601TW	WATER HOSE TERMINAL M22 CHROMED
25	7479958	ASSEMBLY STEAM HOSE TERMINAL 4 HOLES
26	7371003	INSULATING
27	7496083	OR GASKET D4.5X1.5 NBR 70
28	7305010	TERMINAL 4 HOLES
29	7305013	TERMINAL 2 HOLES
30	7479975	ASSEMBLY STEAM HOSE TERMINAL 2 HOLES
31	5221872TW	NUT 3/8"G
32	7496073	OR GASKET 115 EP856
33	5963098.01	ASSEMBLY HEATING ELEMENT 220/240V
33	5963097.01	ASSEMBLY HEATING ELEMENT 110V
34	5221863CM	CAP NUT M8 CHROMED
35	7816014	SCREW M8X20 UNI5931 A2
36	7816001	SCREW TCEI M5X12 UNI5931 A2
37	5283046TW	DELIVERY GROUP BODY
38	7496004	OR GASKET 139
39	5280502TW	COUPLING RING OT CHROMED
40	7493016	GASKET H 9,3 NBR 75SH
41	5285501TP	SHOWER-HOLDER D57
42	5470501	SHOWER D57 AISI 304
43	7817001	SCREW TPS M5X16 A2
44	5963548.01AL	ASSEMBLY DELIVERY GROUP
45	7634808	THERMIC SAFETY DEVICE 250V 95°C AUTOMATIC



TABLE 3 (up to 28.01.14)

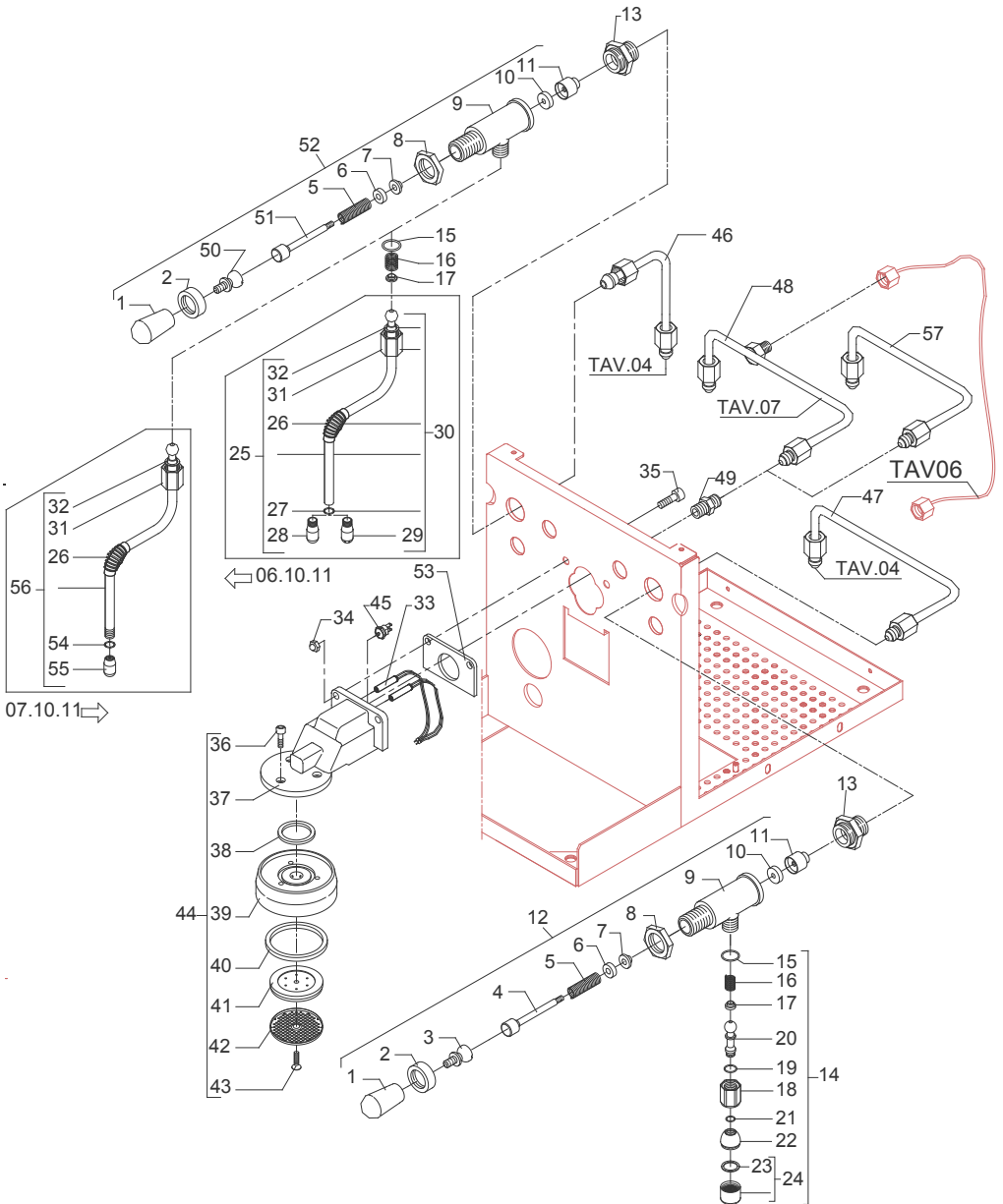
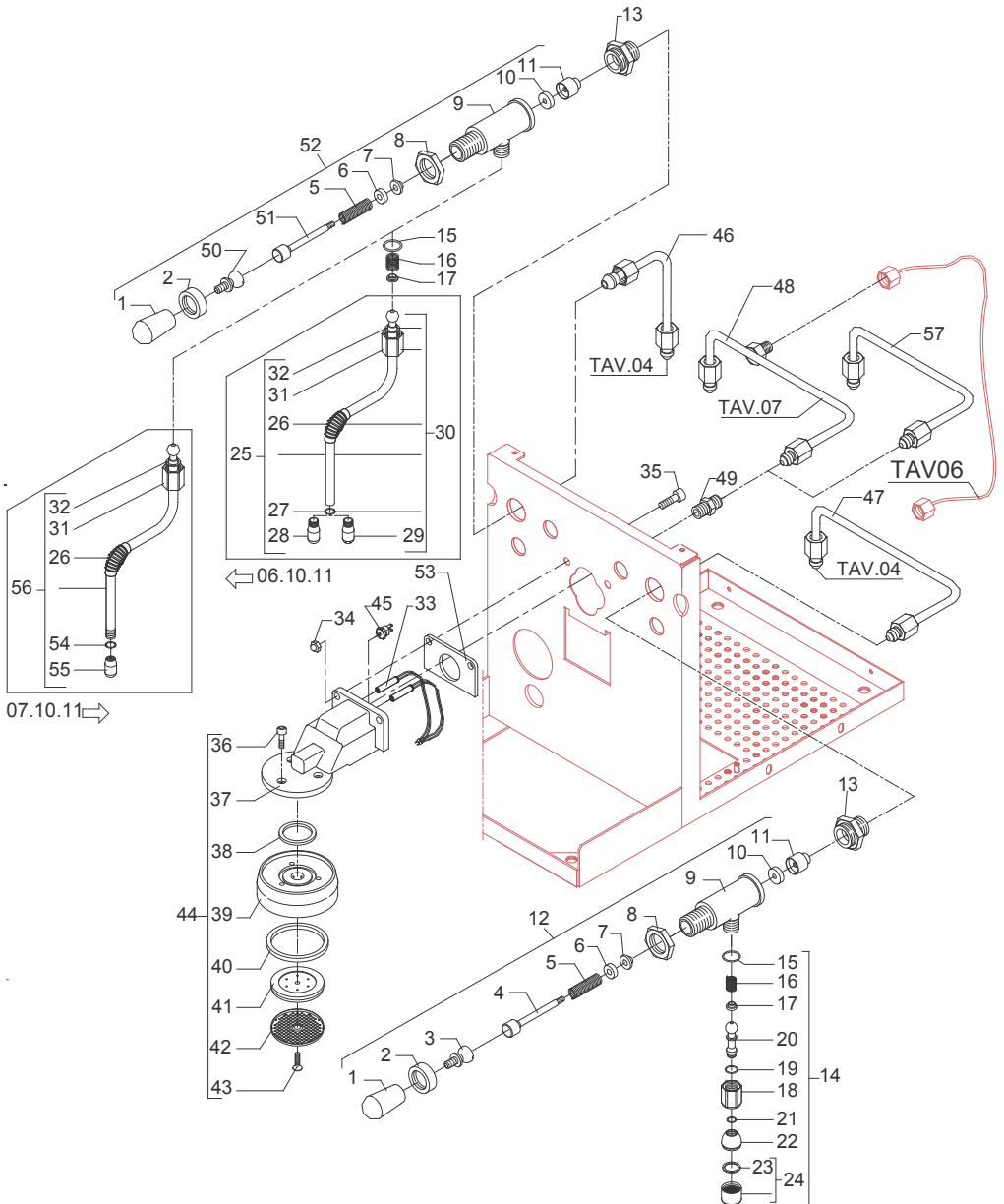




TABLE 3 (up to 28.01.14)



**TABLE 3 (from 29.01.14)**

<b>POS</b>	<b>CODE</b>	<b>DESCRIPTION</b>
1	7371511.01	LEVER KNOB
2	5222823CM	RING NUT 3/8" G H17
3	5225608	ARTICULATION M8 INOX
4	5260203DL	SHAFT D12X47
5	5471513	SPRING
6	5261801	WASHER D11
7	5494004	GASKET D12 X 6 PTFE GRAPHITIZED
8	5221826CM	NUT 3/8" G ES.22X5
9	5283055TW	TAP BODY OT FOR OR
10	5496042	GASKET D11X4X4 EPT 70 (C6)
11	5224603TP	GASKET-HOLDER
12	5964084.01AL	ASSEMBLY TAP WITH OR
14	5966548AL	ASSEMBLY WATER HOSE
15	7496072	OR GASKET 121
16	5471532	SPRING
17	5190501	COMPLETE CUP
18	5221872TW	NUT 3/8" G
19	7496073	OR GASKET 115 EP856
20	5225607TW	WATER HOSE CHROMED
21	7496003	OR GASKET 108 VITON
22	5226610TW	WATER HOSE TERMINAL D23.5X18 OT CHROMED
23	5493003	GASKET D20.5X15 H1.5 NBR 70SH
24	5226601TW	WATER HOSE TERMINAL M22 CHROMED
33	5963098.01	ASSEMBLY HEATING ELEMENT 220/240V
33	5963097.01	ASSEMBLY HEATING ELEMENT 110V
34	5221863CM	CAP NUT M8 CHROMED
35	7816014	SCREW M8X20 UNI5931 A2
36	7816001	SCREW TCEI M5X12 UNI5931 A2
37	5283046TW	DELIVERY GROUP BODY
38	7496004	OR GASKET 139
39	5280502TW	COUPLING RING OT CHROMED
40	7493016	GASKET H 9,3 NBR 75SH
41	5285501TP	SHOWER-HOLDER D57
42	5470501	SHOWER D57 AISI 304
43	7817001	SCREW TPS M5X16 A2
44	5963548.01AL	ASSEMBLY DELIVERY GROUP
45	7634808	THERMIC SAFETY DEVICE 250V 95°C AUTOMATIC
46	5162301LL	STEAM TAP HOSE
47	5162310LL	WATER TAP HOSE
49	7304502TR	STRAIGHT FITTING 1/8" G
50	5225610	ARTICULATION M8 INOX
51	5260204DL	SHAFT D12X47
52	5964085.01AL	ASSEMBLY TAP WITH OR
53	7493013	INSULATING
54	7496084	GASKET
55	7305014	TERMINAL 2 HOLES

TABLE 3 (from 29.01.14)

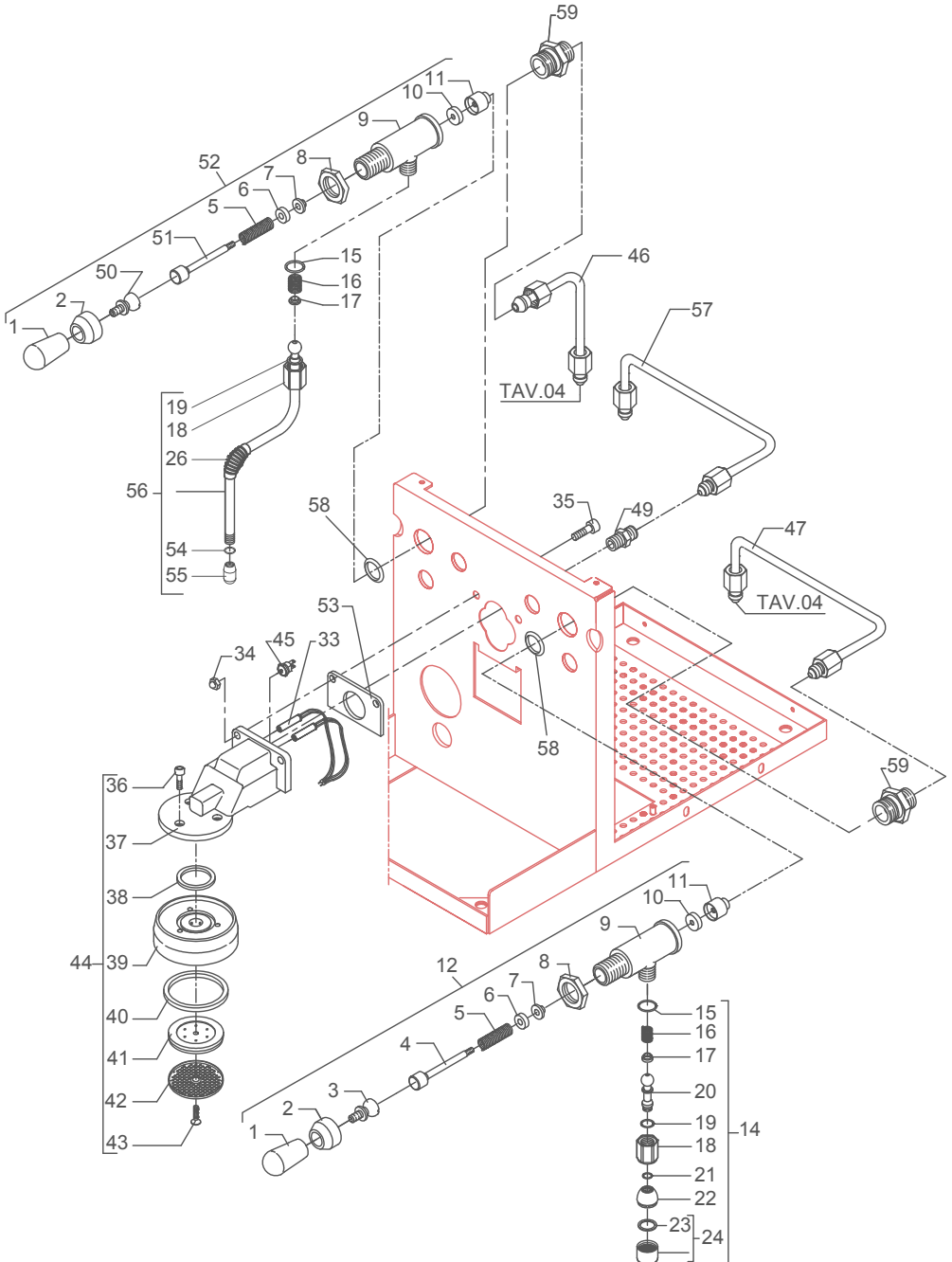
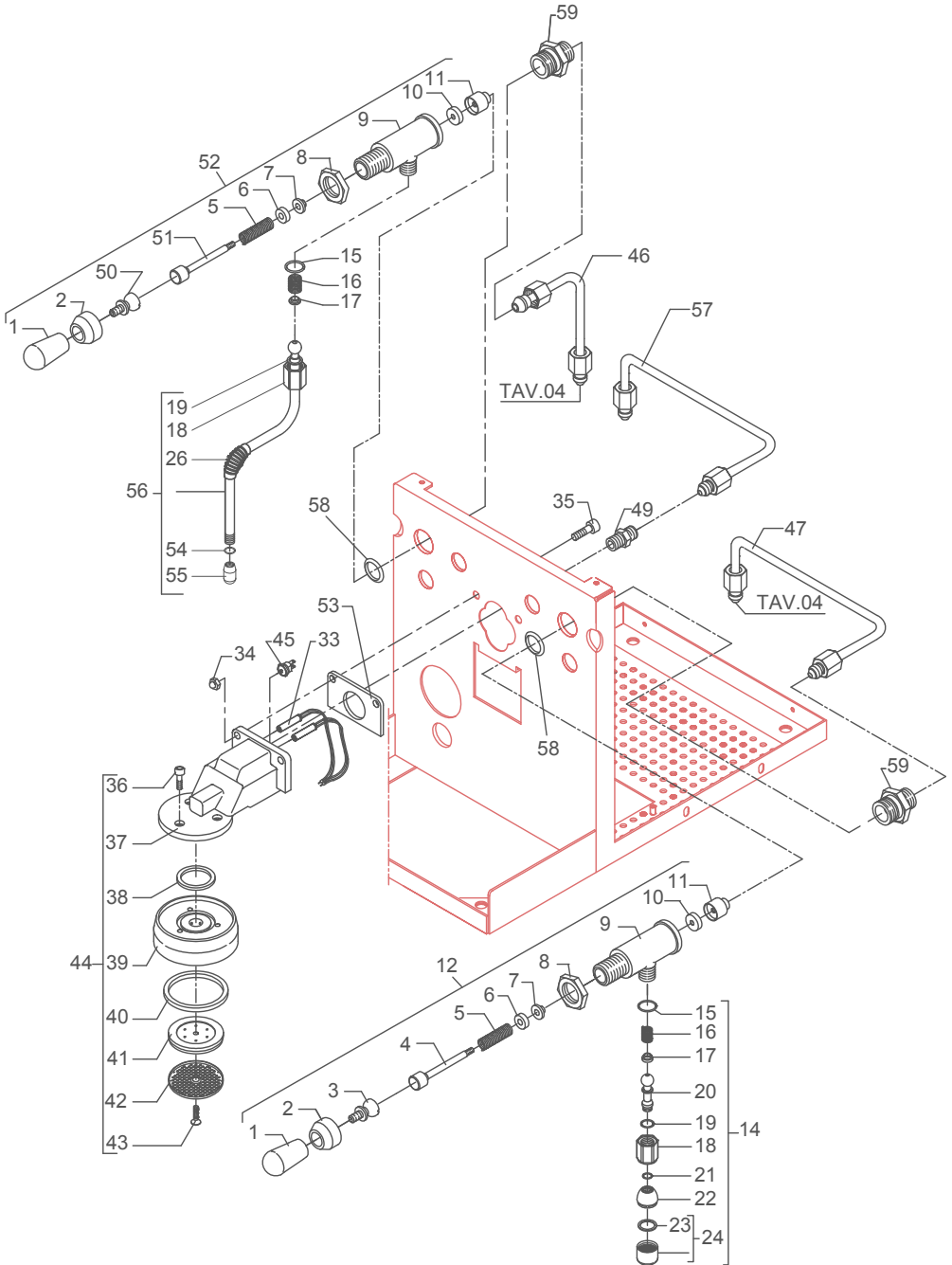




TABLE 3 (from 29.01.14)







**TABLE 4**

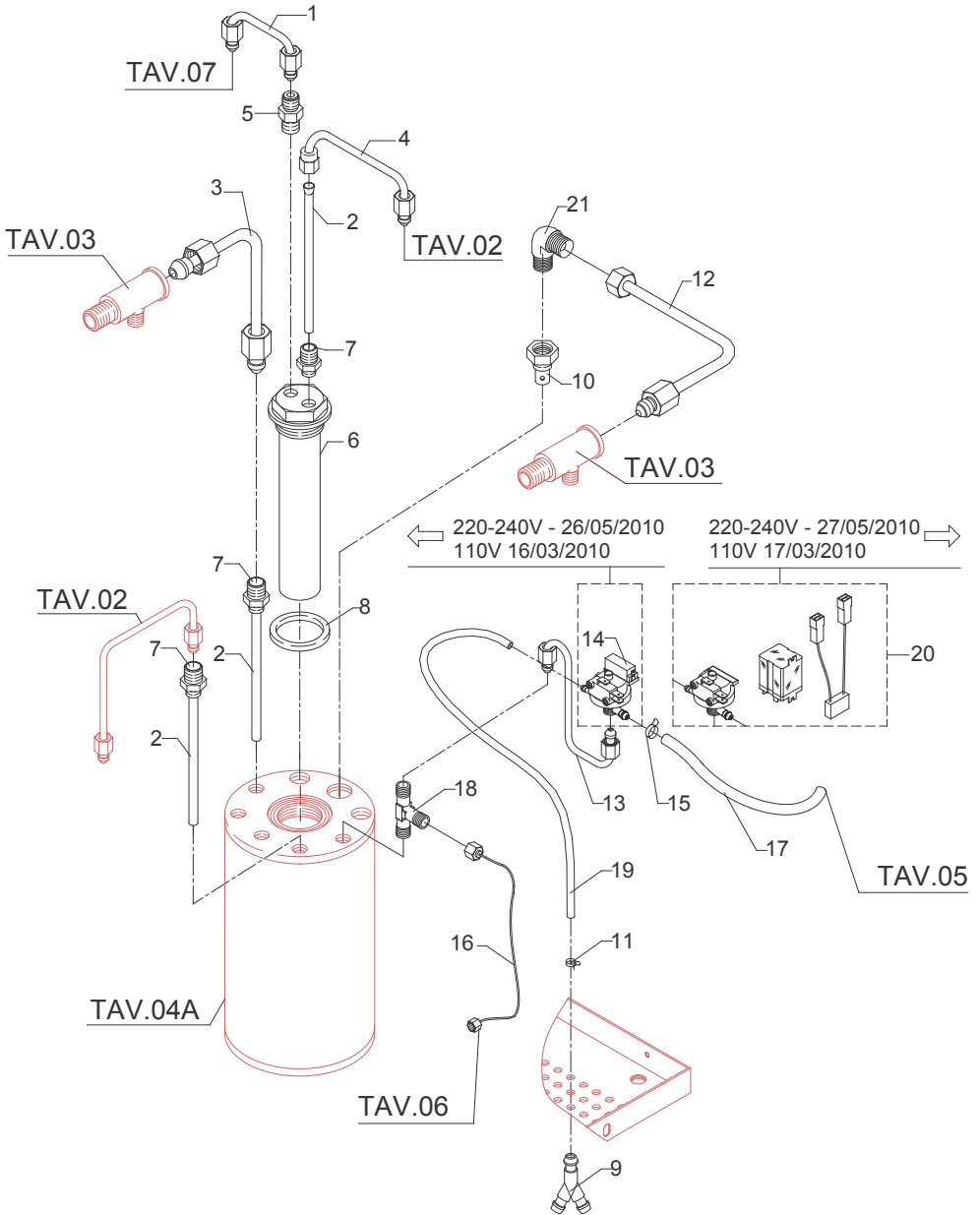




TABLE 4A

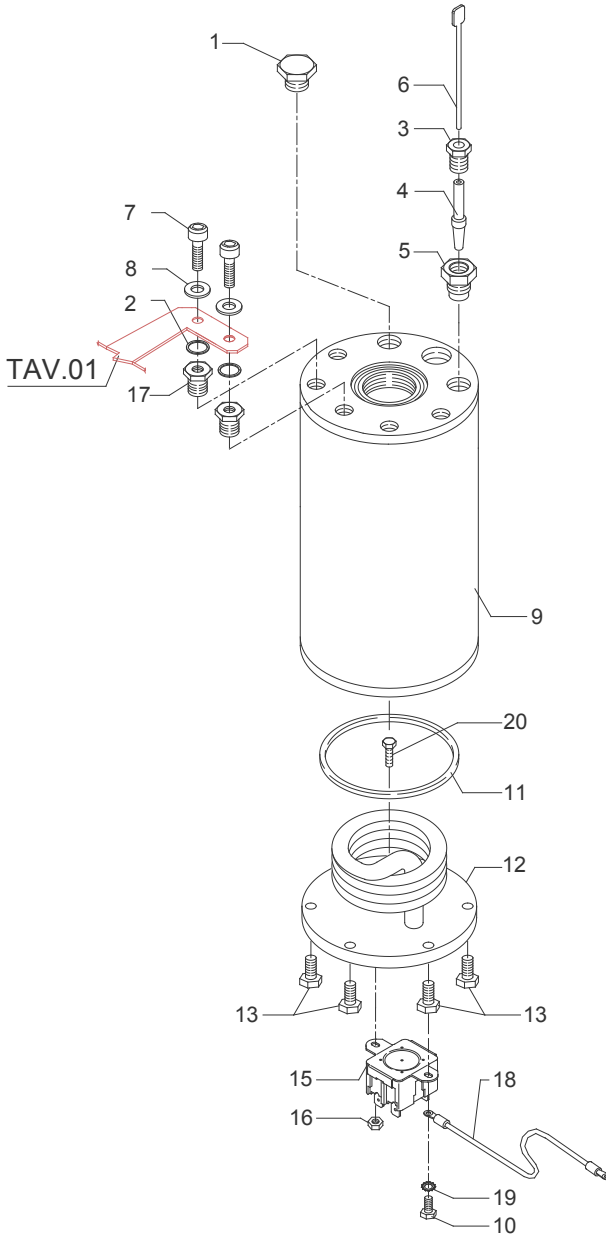




TABLE 5

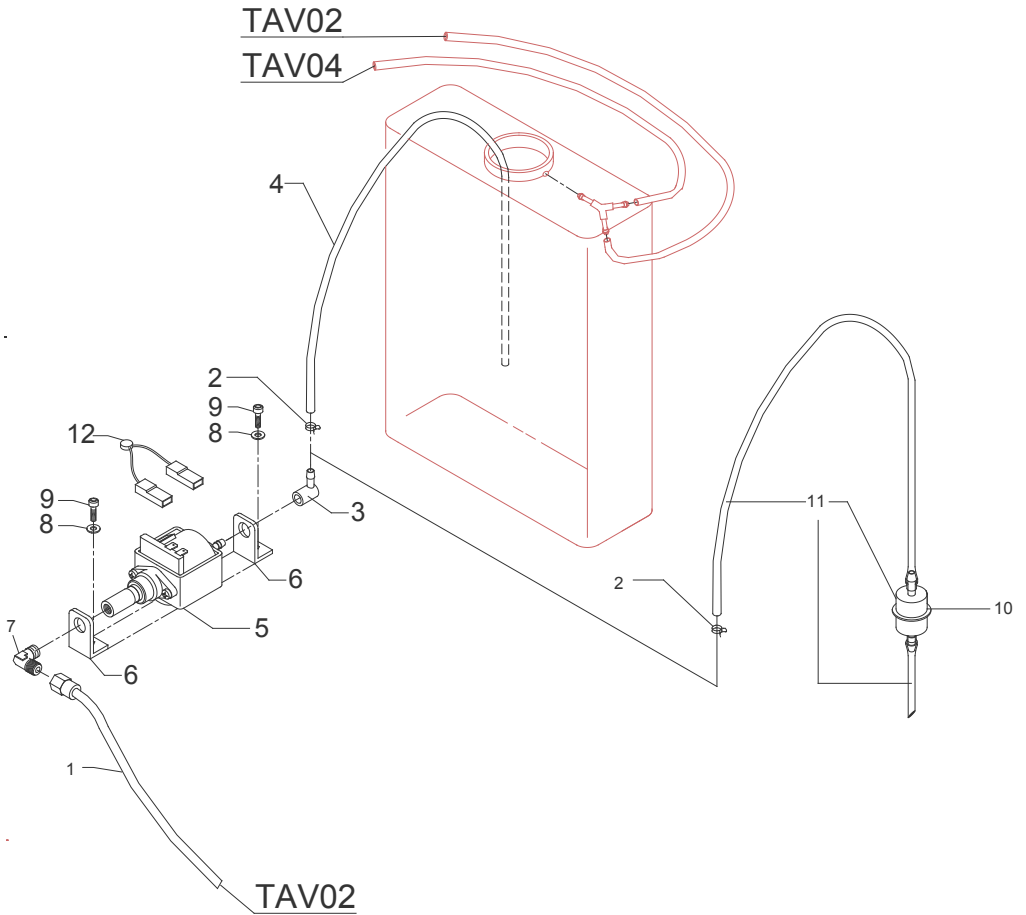




TABLE 6

POS	CODE	DESCRIPTION
1	7633331	BIPOLAR SWITCH
2	7400902	PUMP PRESSURE GAUGE CAPILLARY
3	7612511	CLAMP 3 CONTACTS
4	5074449SG	GROUP FRONTAL
5	7400901	PRESSURE GAUGE CAPILLARY
6	7432524	PRESSURE GAUGE D60 DOUBLE SCALE
7	7826402	SCREW TE M4X16 UNI 5739 OT
8	7633622	GREEN LAMP 110/240V
9	7633621	ORANGE LAMP 110/240V
10	7633907	MICROSWITCH
11	7614007	CABLE-PRESS PG13,5
12	7614006	NUT PG13,5
13	7555001	CABLE WITH SCHUKO PLUG
13	7551001	CABLE WITH USA PLUG 125V 15A
13	7551003	CABLE WITH USA PLUG 250V 20A
13	7552001	CABLE WITH AUSTRALIAN PLUG
13	7555003	CABLE WITH SWITZERLAND PLUG
13	7554001	CABLE WITH ENGLISH PLUG
14	7661040	LEVEL REGULATOR 1S 230V
14	7661039	LEVEL REGULATOR 1S 110V
14	7661041	LEVEL REGULATOR 1S 240V
15	5058433LL	LEVEL REGULATOR SUPPORT
16	7819911	SCREW TTEI M4X25

TABLE 6

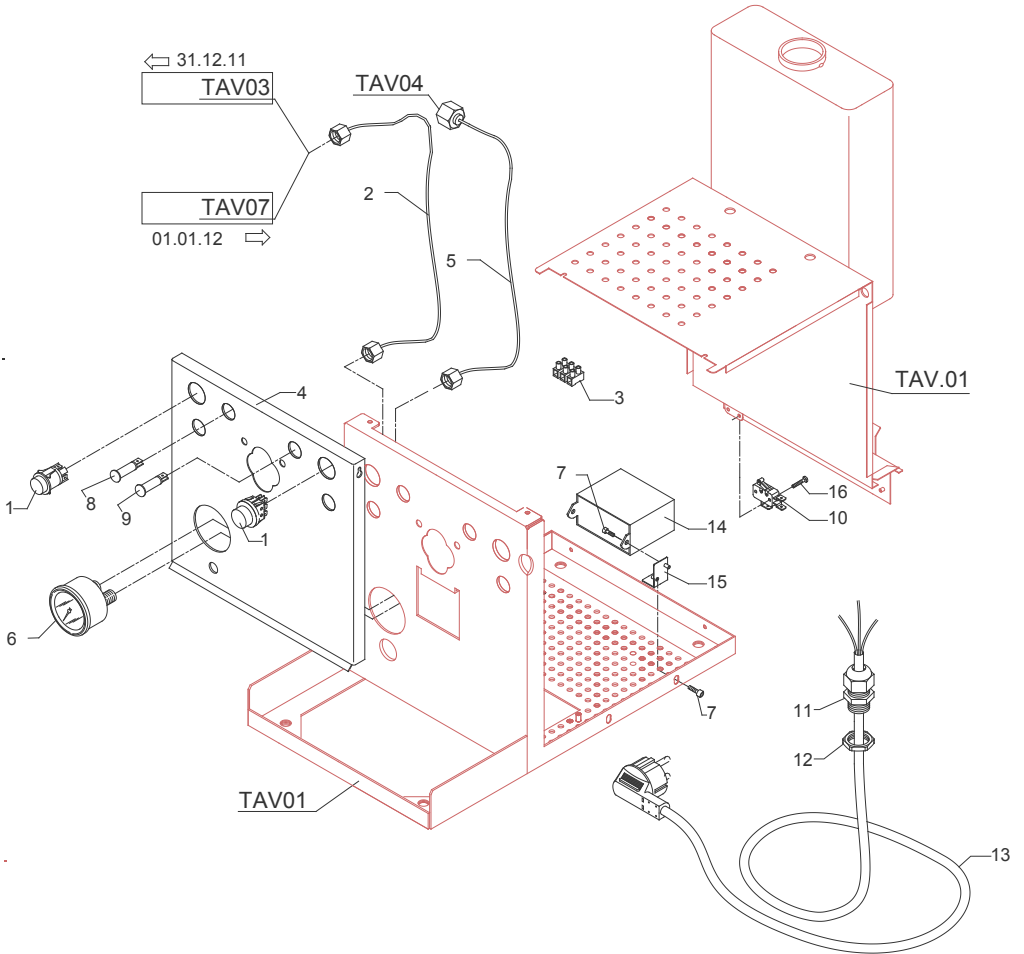






TABLE 7 (up to 31.12.11)

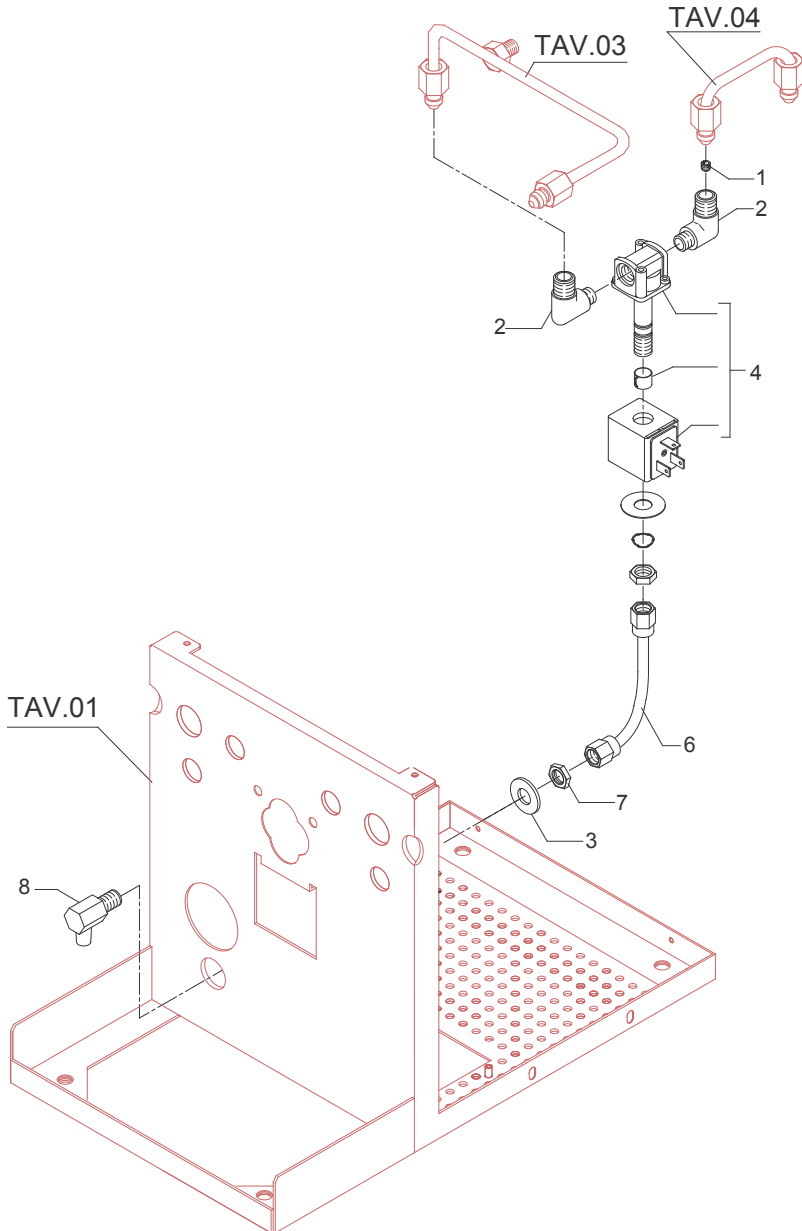




TABLE 7 (up to 01.04.13)

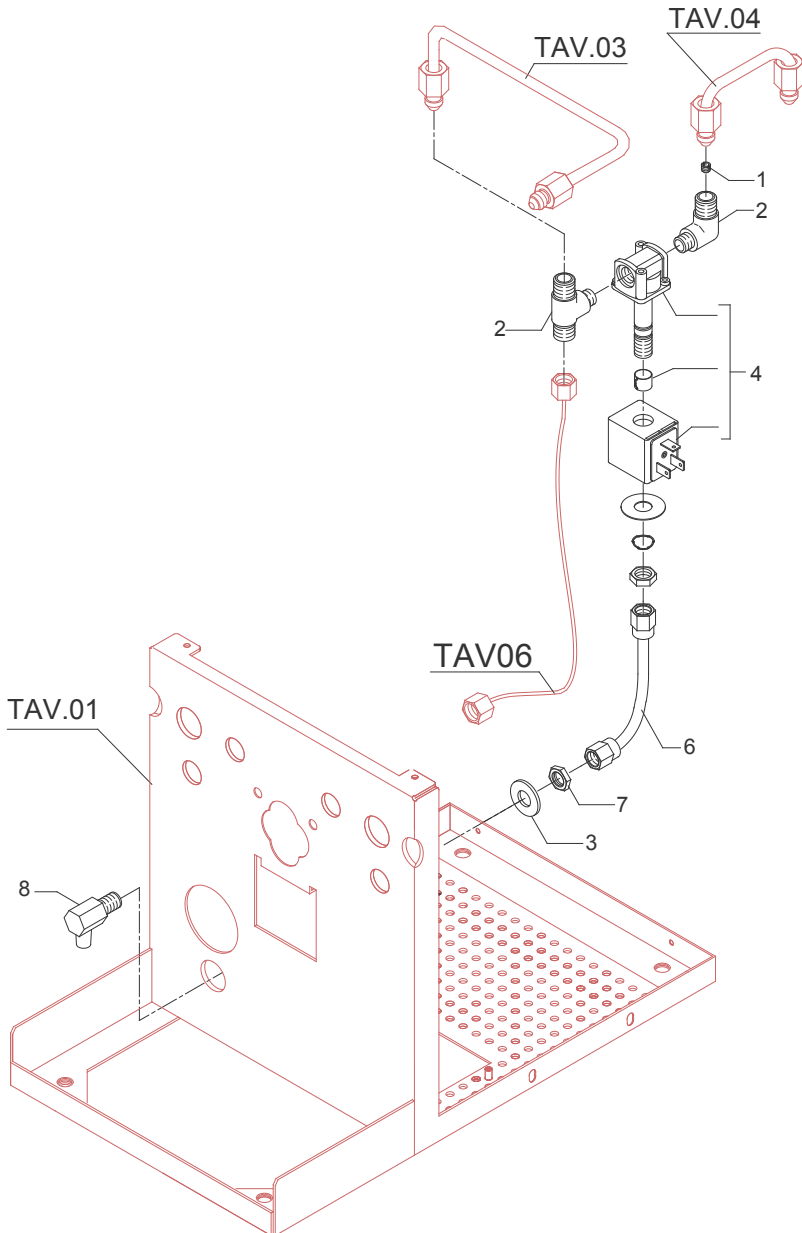




TABLE 7 (from 02.04.13)

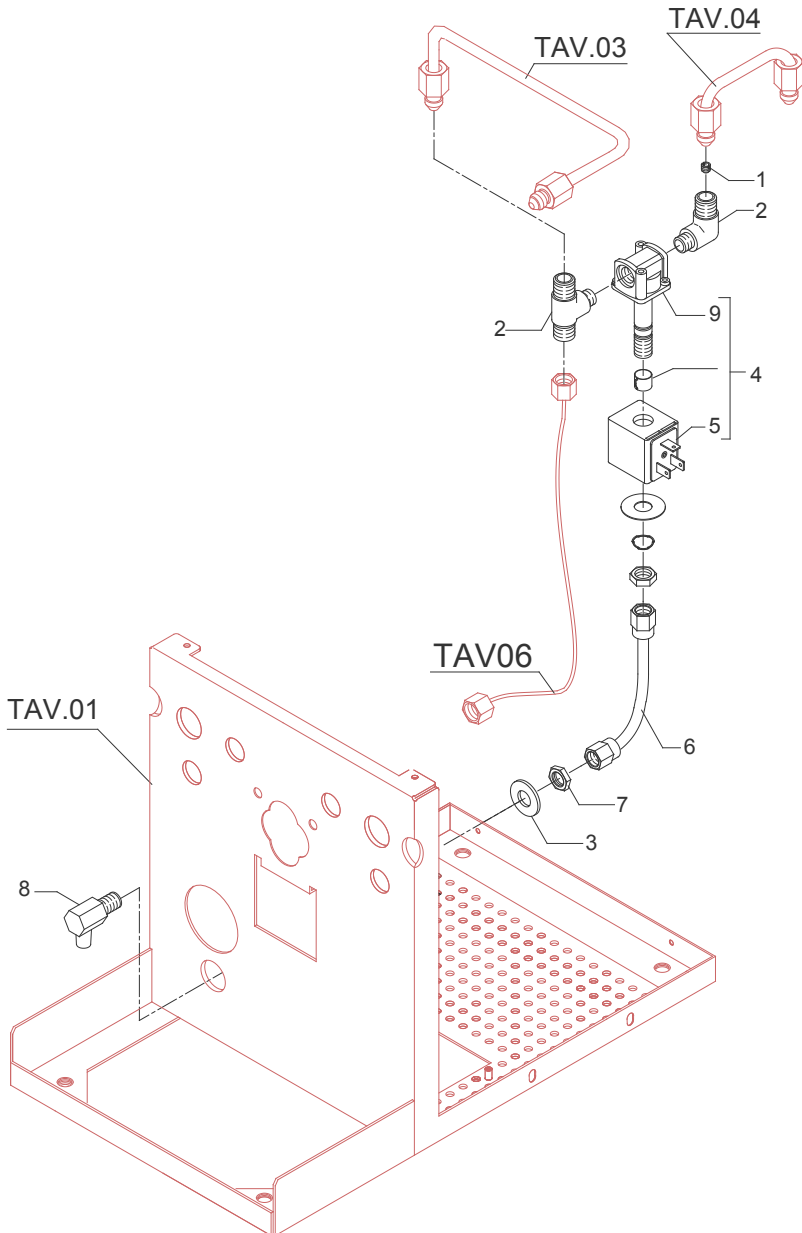
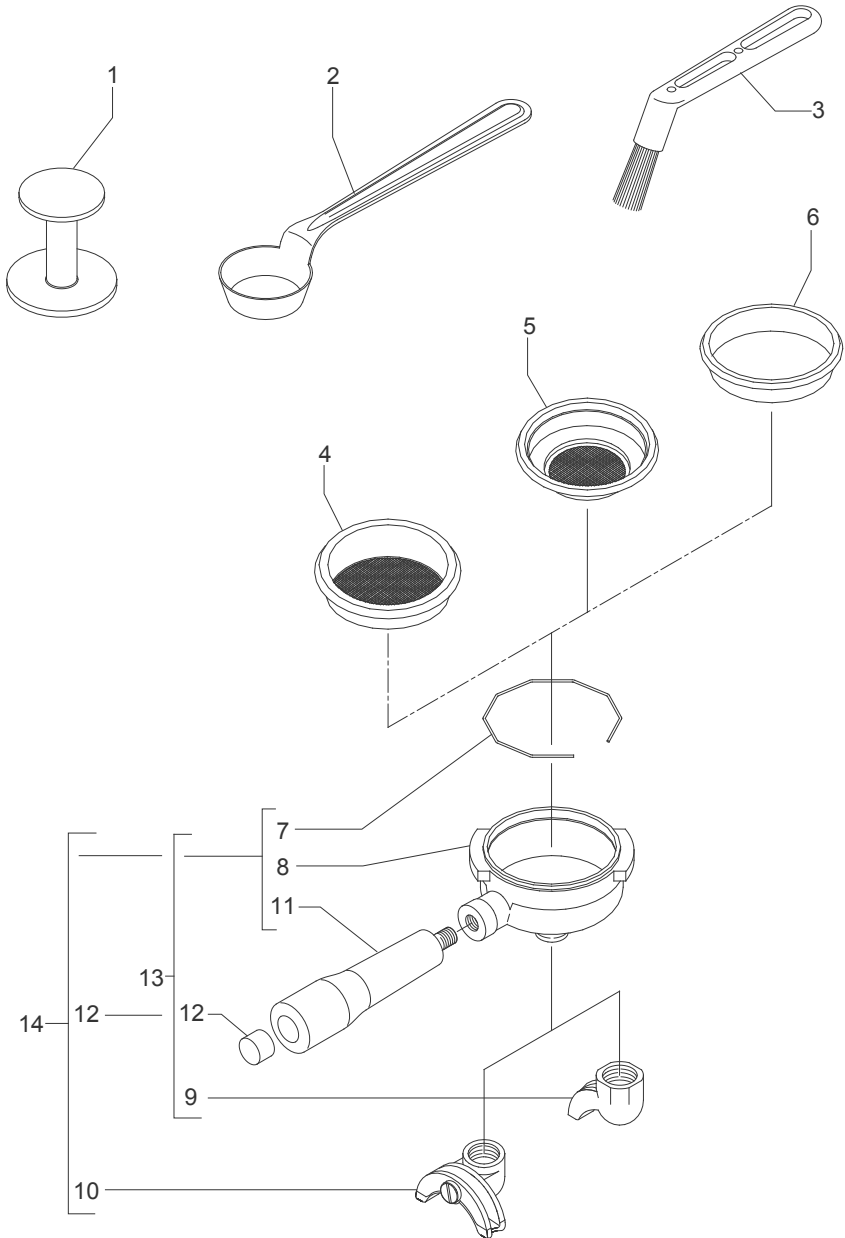




TABLE 8





**BEZZERA**

**Dal 1901**

G.BEZZERA

MACCHINE PER CAFFE' ESPRESSO

Via Luigi Bezzera,1

20088 Rosate - Milano - Italy

Tel. ++39 02 90848102 r.a. - Telefax ++39 02 90870287

Web: [www.g.bezzera.it](http://www.g.bezzera.it)

e-mail: [commerciale@bezzera.it](mailto:commerciale@bezzera.it)