



MATRIX

COD. 9942068

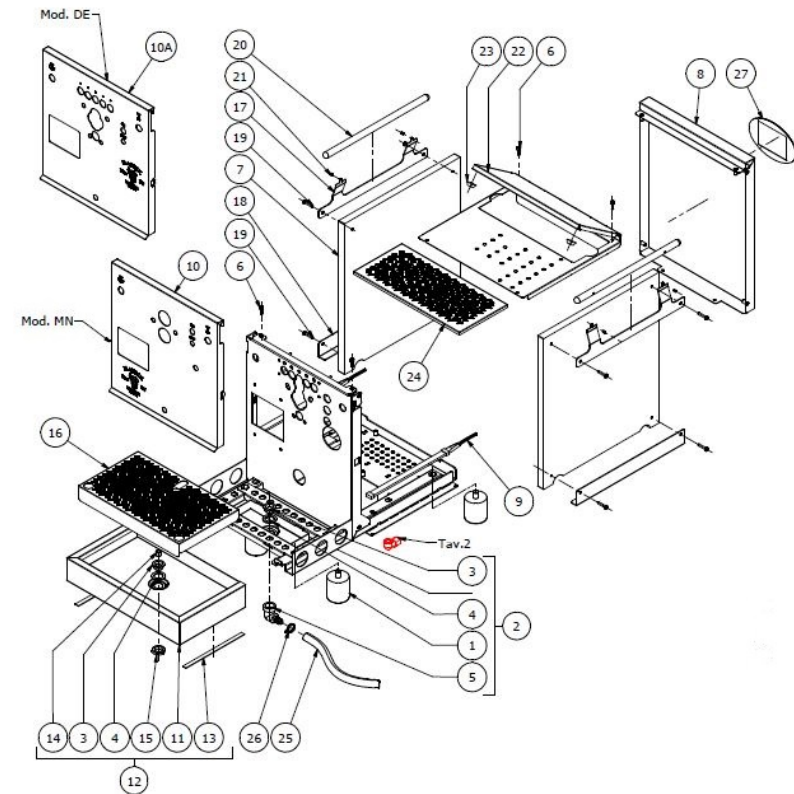
REV. 00



TABLE 1
MATRIX Mod. MN/DE

| POS | CODE | DESCRIPTION |
|-----|------------|------------------------------------|
| 1 | 7474218 | FEET M10 D40X46 |
| 2 | 5964676 | ASSEMBLY CHASSIS DUO/MATRIX |
| 3 | 5225230 | FITTING 3/8 |
| 4 | 5492022 | GASKET D25 X 17 X 2 |
| 5 | 5224403.01 | RUBBER-HOLDER 3/8 |
| 6 | 7816002 | SCREW TCEI M4X12 |
| 7 | 5370920 | RIGHT/LEFT LATERAL SIDE |
| 8 | 5073642LL | REAR BODY STAINLESS STEEL POLISHED |
| 9 | 7663626.01 | LED RGB 12V L=200MM |
| 10 | 5074924SG | GROUP FRONTAL MATRIX MN |
| 10A | 5074923SG1 | GROUP FRONTAL MATRIX DE |
| 11 | 5340531DL | DRIP TRAY |
| 12 | 5968124 | ASSY DRIP TRAY DUO/MATRIX |
| 13 | 7497009 | ADHESIVE STRIP PTFE 150X8X1MM |
| 14 | 7823001 | DOWEL 1/8 |
| 15 | 5221826 | NUT 3/8 |
| 16 | 5074672LW | DRAIN GRID |
| 17 | 5073643LW | MATRIX TOP PROFILE |
| 18 | 5073644LW | MATRIX LOWER PROFILE |
| 19 | 7819902 | SCREW M4X20 |
| 20 | 5260206 | PROFILE |
| 21 | 7812805 | DOWELM4X6 |
| 22 | 5961602.01 | CUPS-HEATER |
| 23 | 7474217 | ADHESIVE FEET 12,7 H5,8 |
| 24 | 5074673LW | CUPS-HEATER GRID MATRIX |
| 25 | 5194654 | HOSE D15X10 L=1500 SILICONE |
| 26 | 7611502 | CLAMP 15140-BIFM140 |
| 27 | 5521512 | LABEL |

TABLE 1
MATRIX Mod. MN/DE



BEZZERA

MATRIX

TABLE 2A
MATRIX Mod. DE

| POS | CODE | DESCRIPTION |
|-----|------------|----------------------------------|
| 1 | 5283060 | DRAIN FITTING |
| 2 | 7815001 | WASHER D10 UNI 6592 A2 |
| 3 | 5221844 | NUT 1/8 |
| 4 | 7816002 | SCREW TCEI M4X12 |
| 5 | 7304507TR | UNION ELBOW 1/8 |
| 6 | 7304517 | UNION 1/8 |
| 7 | 7666005 | PRESSURE SENSOR ETX165 |
| 8 | 5162421LL | PRESSURE GAUGE HOSE |
| 9 | 7304502TR | UNION 1/8 |
| 10 | 5162415LL | L / A INPUT TUBE DUO/MATRIX |
| 11 | 5162414LL | PUMP WATER INPUT TUBE DUO/MATRIX |
| 12 | 5492019 | GASKET D8X2 |
| 13 | 5221835 | CAP NUT 1/8 |
| 14 | 7815003 | WASHER D5 UNI6592 A2 |
| 15 | 7812601 | NUT M4 STAINLESS STEEL UNI 5588 |
| 16 | 5058463LL | TANK SUPPORT |
| 17 | 7474212 | ADHESIVE FEET |
| 18 | 5221830 | NUT M20X1.25 H5 OT |
| 19 | 7633012 | SHEATH 142 EPDM BLACK |
| 20 | 7819901 | SCREW TBEI M4X12 ISO 7380 A2 |
| 21 | 7666006.01 | TANK LEVEL SENSOR |
| 22 | 5194554 | HOSE D8X5 L=250 SLICONE |
| 23 | 7611516 | CLAMP 10086-BIFM086 |
| 24 | 7303001TR | UNION ELBOW 1/8 |
| 25 | 7304505TR | FITTING ELBOW 3 WAY 1/8 |
| 26 | 7304538TR | UNION STRAIGHT F1/8 |
| 27 | 5194617 | PTFE HOSE D6x140 |
| 28 | 5225228.01 | FITTING M20X1.25 H28.5 OT |
| 29 | 7304534TR | UNION STRAIGHT M 1/8 |
| 30 | 7826206 | SCREW TCI M3X30 UNI6107 OT |

BEZZERA

MATRIX

TABLE 2A
MATRIX Mod. DE

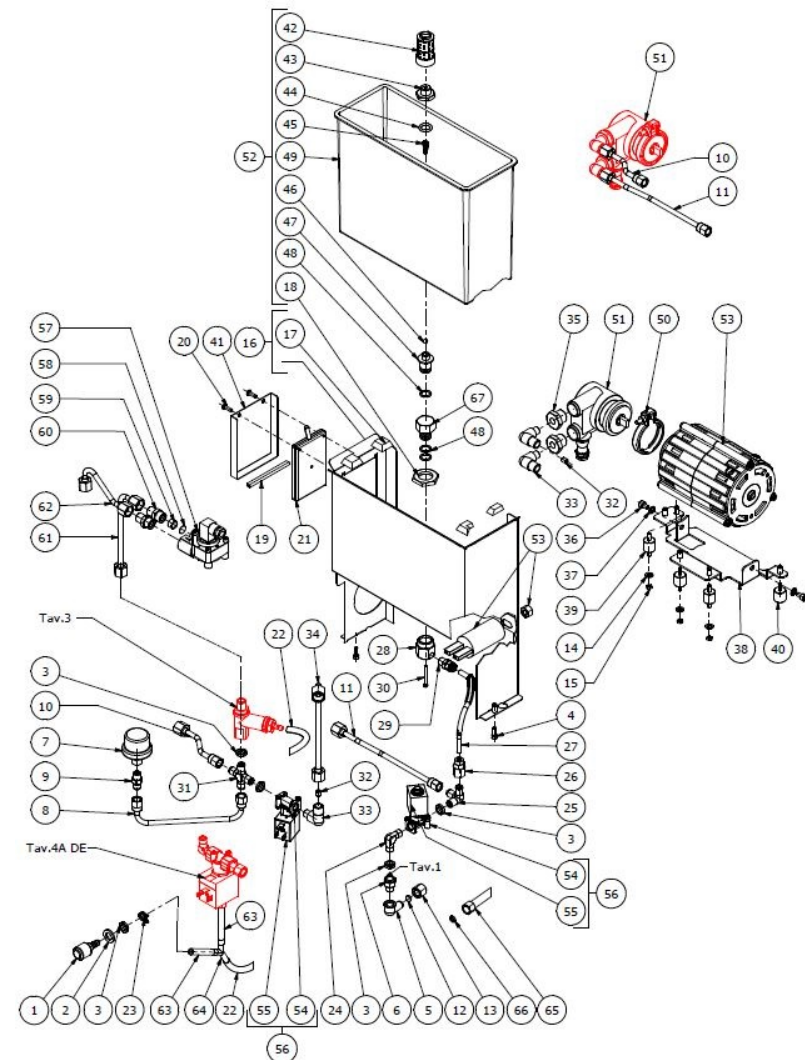


TABLE 2A
MATRIX Mod. DE

| POS | CODE | DESCRIPTION |
|-----|--------------|---|
| 31 | 7304001TR | UNION CROSS 1/8 |
| 32 | 5223003 | JET M6X6 HOLE D0.8 BRASS |
| 33 | 5301504TR | FITTING ELBOW M12X1/8 |
| 34 | 5162412LL | BOILER LOAD HOSE |
| 35 | 5302057AL | FITTING 1/8 |
| 36 | 7816027 | SCREW TCEI M5X8 |
| 37 | 7814002 | NOTCHED WASHER D5 DIN 6798A A2 |
| 38 | 5058411LL | MOTOR SUPPORT |
| 39 | 7470604 | VIBRATION-DAMPING |
| 40 | 7474219 | RUBBER FEET D15X15 M4X10 |
| 41 | 5055752LW | TANK LEVEL SENSOR PLATE |
| 42 | 7374002 | FILTER 1/4 |
| 43 | 5302065.01AL | TANK FILTER REDUCTION |
| 44 | 7496073.01 | OR GASKET 115 EP856 |
| 45 | 5471521.01 | COUPLING SPRING |
| 46 | 5471509 | BALL 7/32 |
| 47 | 5224617 | GASKET-HOLDER D14.5X25 OT |
| 48 | 7496076 | OR GASKET 112 EP856 80SH |
| 49 | 7373012 | TANK 3 LT. CAPACITY |
| 50 | 7611508 | PUMP CLAMP |
| 51 | 7730509 | PUMP 50-70L/H+CLAMP+JOINT |
| 52 | 5963171 | ASSEMBLY TANK C / FILTER DUO/MATRIX |
| 53 | 7741005.01 | ELECTRIC MOTOR 110V 25MF 50/60HZ |
| 53 | 7742404.01 | ELECTRIC MOTOR 220/240V 50/60HZ 1 GROUP |
| 54 | 7703018 | SOLENOID VALVE WITHOUT COIL 2 WAY OLAB |
| 55 | 7630339 | SOLENOID VALVE COIL 2 WAY 110V OLAB |
| 55 | 7630341 | SOLENOID VALVE COIL 2 WAY 220/230V OLAB |
| 55 | 7630343 | SOLENOID VALVE COIL 2 WAY 240V OLAB |
| 56 | 7701123 | SOLENOID VALVE 2 WAY 110V OLAB |
| 56 | 7702322 | SOLENOID VALVE 2 WAY 220/230V OLAB |

TABLE 2A
MATRIX Mod. DE

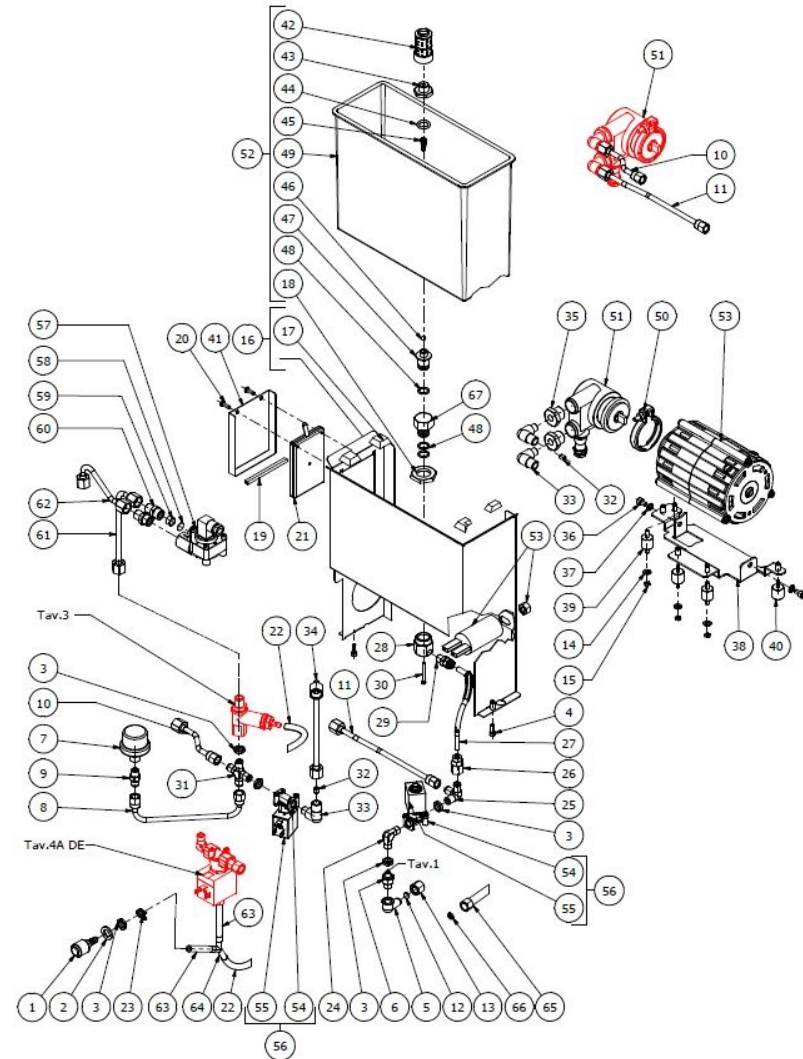
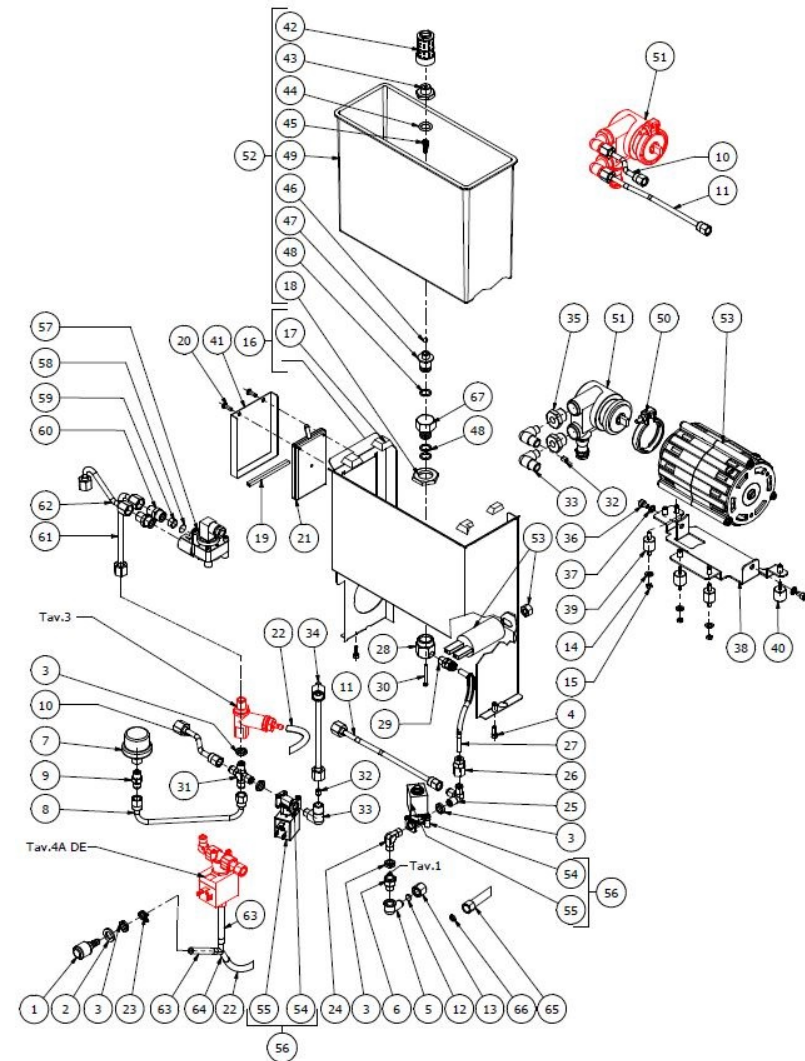


TABLE 2A
MATRIX Mod. DE

| POS | CODE | DESCRIPTION |
|-----|-----------|----------------------------------|
| 56 | 7702415 | SOLENOID VALVE 2 WAY 240V OLAB |
| 57 | 7431001 | FLOW METER + AUT. WITH LED |
| 58 | 5471001 | MESH FILTER D11 AISI 304 |
| 59 | 5191501 | SPACER D11X8X6.5 PTFE |
| 60 | 5302009 | FITTING M12X1/4 |
| 61 | 5162416LL | FLOW METER INPUT TUBE DUO/MATRIX |
| 62 | 5162418LL | OUTLET HOSE FLOW METER |
| 63 | 5194532 | HOSE D8X5 L=60 SLICONE |
| 64 | 7303039 | FITTING |
| 65 | 7200514 | FLEXIBLE HOSE |
| 66 | 7492004 | GASKET D8.5X4.2X1.5 |
| 67 | 5226416AL | PLUG HEXAGONAL 22 x 26.5 |

TABLE 2A
MATRIX Mod. DE



BEZZERA

MATRIX

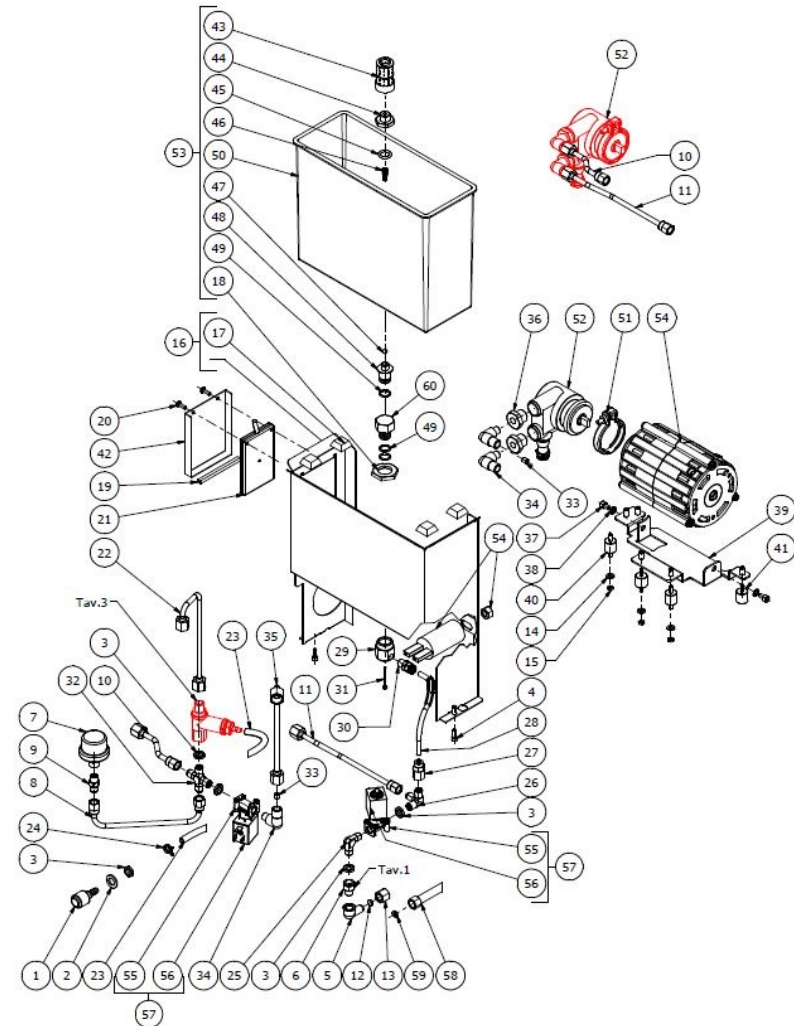
TABLE 2
MATRIX Mod. MN

| POS | CODE | DESCRIPTION |
|-----|------------|---|
| 1 | 5283060 | DRAIN FITTING |
| 2 | 7815001 | WASHER D10 UNI 6592 A2 |
| 3 | 5221844 | NUT 1/8 |
| 4 | 7816002 | SCREW TCEI M4X12 |
| 5 | 7304507TR | UNION ELBOW 1/8 |
| 6 | 7304517 | UNION 1/8 |
| 7 | 7666005 | PRESSURE SENSOR ETX165 |
| 8 | 5162421LL | PRESSURE GAUGE HOSE |
| 9 | 7304502TR | UNION 1/8 |
| 10 | 5162415LL | L / A INPUT TUBE DUO/MATRIX |
| 11 | 5162414LL | PUMP WATER INPUT TUBE DUO/MATRIX |
| 12 | 5492019 | GASKET D8X2 |
| 13 | 5221835 | CAP NUT 1/8 |
| 14 | 7815003 | WASHER D5 UNI6592 A2 |
| 15 | 7812601 | NUT M4 STAINLESS STEEL UNI 5588 |
| 16 | 5058463LL | TANK SUPPORT |
| 17 | 7474212 | ADHESIVE FEET |
| 18 | 5221830 | NUT M20X1.25 H5 OT |
| 19 | 7633012 | SHEATH 142 EPDM BLACK |
| 20 | 7819901 | SCREW TBEI M4X12 ISO 7380 A2 |
| 21 | 7666006.01 | TANK LEVEL SENSOR |
| 22 | 5162413LL | COFFEE BOILER DUO / MATRIX LOADING TUBE |
| 23 | 5194554 | HOSE D8X5 L=250 SLICONE |
| 24 | 7611516 | CLAMP 10086-BIFM086 |
| 25 | 7303001TR | UNION ELBOW 1/8 |
| 26 | 7304505TR | FITTING ELBOW 3 WAY 1/8 |
| 27 | 7304538TR | UNION STRAIGHT F1/8 |
| 28 | 5194617 | PTFE HOSE D16x140 |
| 29 | 5225228.01 | FITTING M20X1.25 H28.5 OT |
| 30 | 7304534TR | UNION STRAIGHT M1/8 |

BEZZERA

MATRIX

TABLE 2
MATRIX Mod. MN



BEZZERA

MATRIX

TABLE 2
MATRIX Mod. MN

| POS | CODE | DESCRIPTION |
|-----|--------------|---|
| 31 | 7826206 | SCREW TCI M3X30 UNI6107 OT |
| 32 | 7304001TR | UNION CROSS 1/8 |
| 33 | 5223003 | JET M6X6 HOLE D0.8 BRASS |
| 34 | 5301504TR | FITTING ELBOW M12X1/8 |
| 35 | 5162412LL | BOILER LOAD HOSE |
| 36 | 5302057AL | FITTING 1/8 |
| 37 | 7816027 | SCREW TCEI M5X8 |
| 38 | 7814002 | NOTCHED WASHER D5 DIN 6798A A2 |
| 39 | 5058411LL | MOTOR SUPPORT |
| 40 | 7470604 | VIBRATION-DAMPING |
| 41 | 7474219 | RUBBER FEET D15X15 M4X10 |
| 42 | 5055752LW | TANK LEVEL SENSOR PLATE |
| 43 | 7374002 | FILTER 1/4 |
| 44 | 5302065.01AL | TANK FILTER REDUCTION |
| 45 | 7496073.01 | GASKET OR 115 EP856 |
| 46 | 5471521.01 | COUPLING SPRING |
| 47 | 5471509 | BALL 7/32• AISI 304 |
| 48 | 5224617 | GASKET-HOLDER D14.5X25 OT |
| 49 | 7496076 | OR GASKET 112 EP856 80SH |
| 50 | 7373012 | TANK 3 LT. CAPACITY |
| 51 | 7611508 | PUMP CLAMP |
| 52 | 7730509 | PUMP 50-70L/H+CLAMP+JOINT |
| 53 | 5963171 | ASSEMBLY TANK C / FILTER DUO/MATRIX |
| 54 | 7741005.01 | ELECTRIC MOTOR 110V 25MF 50/60HZ |
| 54 | 7742404.01 | ELECTRIC MOTOR 220/240V 6MF 50/60HZ |
| 55 | 7703018 | SOLENOID VALVE WITHOUT COIL 2 WAY OLAB |
| 56 | 7630339 | SOLENOID VALVE COIL 2 WAY 110V OLAB |
| 56 | 7630341 | SOLENOID VALVE COIL 2 WAY 220/230V OLAB |
| 56 | 7630343 | SOLENOID VALVE COIL 2 WAY 240V OLAB |
| 57 | 7701123 | SOLENOID VALVE 2 WAY 110V OLAB |

BEZZERA

MATRIX

TABLE 2
MATRIX Mod. MN

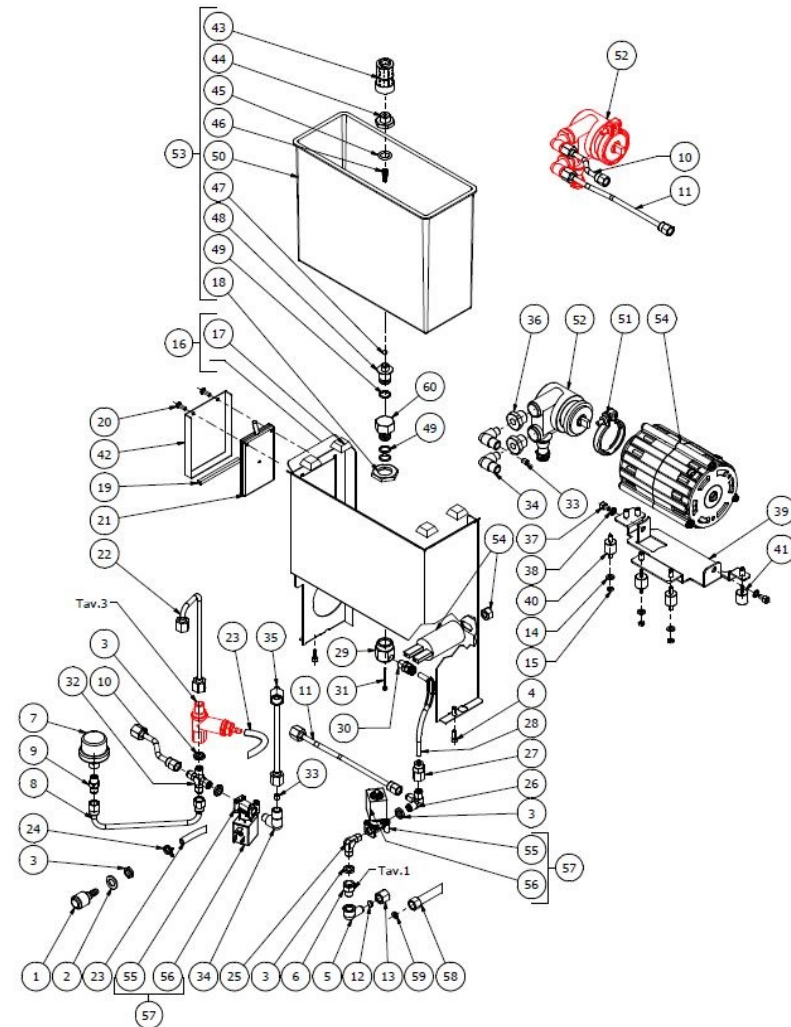


TABLE 2
MATRIX Mod. MN

| POS | CODE | DESCRIPTION |
|-----|-----------|------------------------------------|
| 57 | 7702322 | SOLENOID VALVE 2 WAY 220/230V OLAB |
| 57 | 7702415 | SOLENOID VALVE 2 WAY 240V OLAB |
| 58 | 7200514 | FLEXIBLE HOSE |
| 59 | 7492004 | GASKET D8.5X4.2X1.5 |
| 60 | 5226416AL | PLUG HEXAGONAL 22 x 26.5 |

TABLE 2
MATRIX Mod. MN

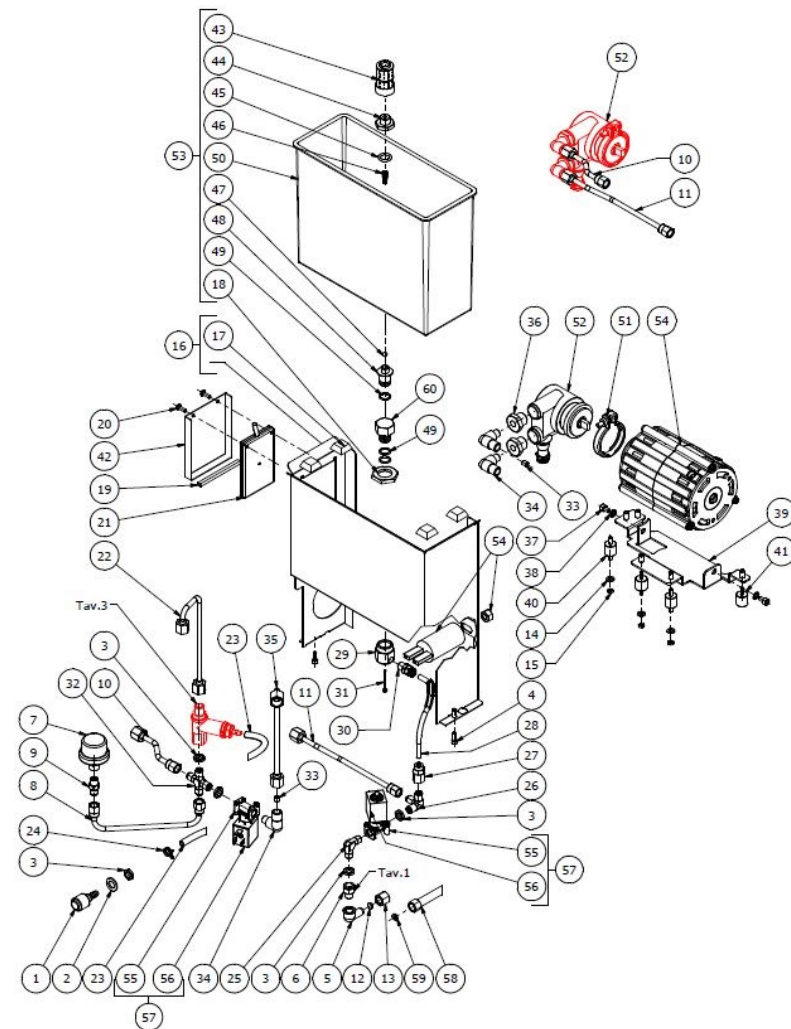
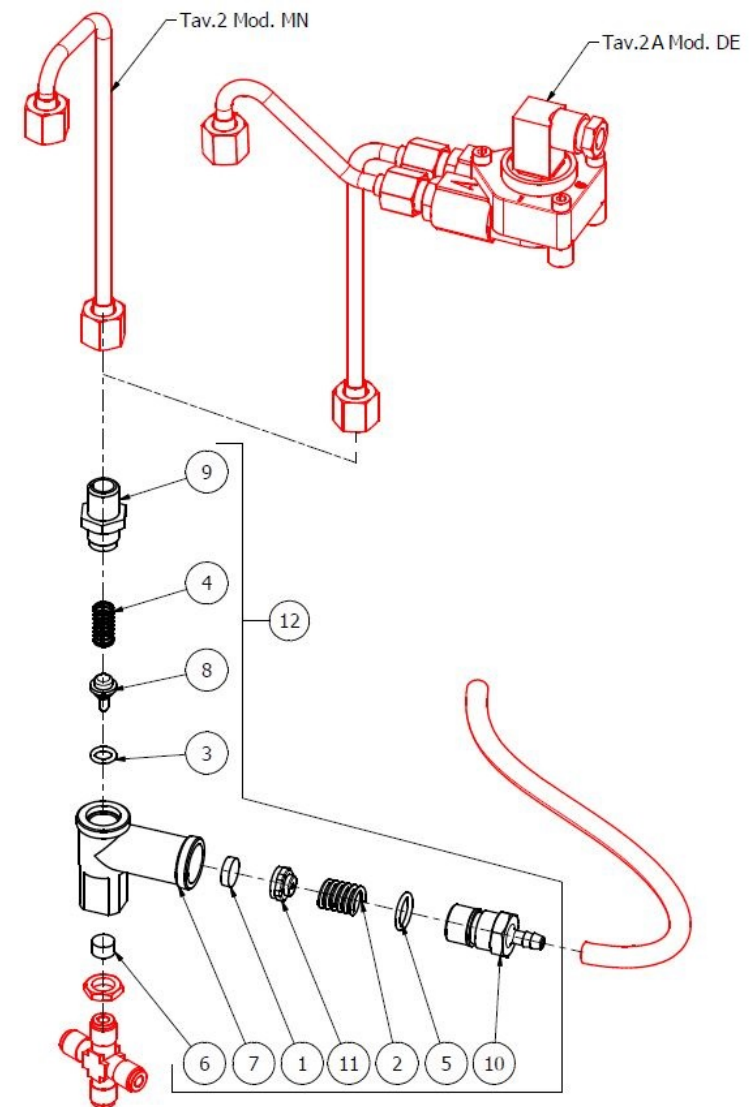


TABLE 3
MATRIX Mod. MN/DE

| POS | CODE | DESCRIPTION |
|-----|--------------|--------------------------------------|
| 1 | 5493042 | GASKET D11X3 EPDM 80SH |
| 2 | 5471539 | CALIBRATED SPRING D1.6 H21.5 AISI302 |
| 3 | 7496018 | OR GASKET 105 VITON |
| 4 | 5471505 | CALIBRATED SPRING D0.45 H22 AISI302 |
| 5 | 7496052 | OR GASKET 114 VITON |
| 6 | 5471019 | FILTER D8,5X5 AISI304 |
| 7 | 5283053TP | SURPRESSION VALVE BODY |
| 8 | 5224615TP | GASKET-HOLDER S/PB-NI |
| 9 | 5302017TP | FITTING M20X1.25 H28.5 OT |
| 10 | 5302077TP | RIBBER-HOLDER FITTING |
| 11 | 5224620TP | GASKET-HOLDER OT S/PB |
| 12 | 5965212.01AL | ASSEMBLY SURPRESSION VALVE 12BAR |

TABLE 3
MATRIX Mod. MN/DE



BEZZERA

MATRIX

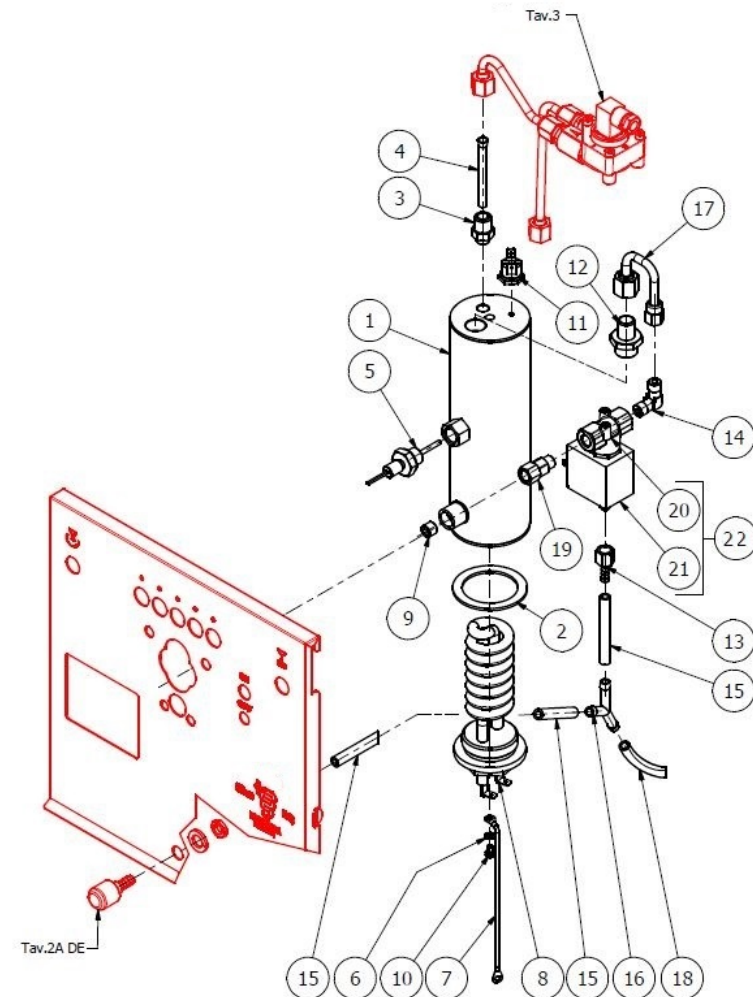
TABLE 4A
MATRIX Mod. DE

| POS | CODE | DESCRIPTION |
|-----|-----------|---|
| 1 | 5320527BL | COFFEE BOILER DUO/MATRIX |
| 2 | 5494016 | GASKET 56X42X2 |
| 3 | 5302006TP | FITTING M12 X 1/8 |
| 4 | 5192320 | SUCTION HOSE D6X1 L=60MM PTFE |
| 5 | 7666008 | PROBE T.PID AISI316 D3 |
| 6 | 7814001 | WASHER D4 DIN 6798A A2 |
| 7 | 7663573 | GROUND WIRE |
| 8 | 5722312TP | HEATING ELEMENT 230V 800W |
| 8 | 5722313TP | HEATING ELEMENT 115V 800W |
| 9 | 7823001 | DOWEL 1/8 |
| 10 | 7826212 | SCREW TCI M4X6 UNI6107 OT |
| 11 | 7434009 | THERMOSTAT MANUAL 16A 135°C |
| 12 | 5302005TP | FITTING M13 X 3/8 |
| 13 | 5370313 | RUBBER-HOLDER |
| 14 | 7303001TR | UNION ELBOW 1/8 |
| 15 | 5194532 | HOSE D8X5 L=60 SLICONE |
| 16 | 7303039 | FITTING |
| 17 | 5162417LL | GROUP INPUT TUBE DUO/MATRIX |
| 18 | 5194554 | HOSE D8X5 L=250 SLICONE |
| 19 | 7304541TR | STRAIGHT ROTARY FITTING |
| 20 | 7703016 | SOLENOID VALVE WITHOUT COIL 3 WAY OLAB |
| 21 | 7630340 | SOLENOID VALVE COIL 2-3 WAY 220/230V OLAB |
| 22 | 7701120 | SOLENOID VALVE 3 WAY 110V OLAB |
| 22 | 7702319 | SOLENOID VALVE 3 WAY 220/230V OLAB |
| 22 | 7702412 | SOLENOID VALVE 3 WAY 240V OLAB |

BEZZERA

MATRIX

TABLE 4A
MATRIX Mod. DE



BEZZERA

MATRIX

TABLE 4
MATRIX Mod. MN

| POS | CODE | DESCRIPTION |
|-----|-----------|-------------------------------|
| 1 | 5163374LL | UPPER HEATING HOSE |
| 2 | 5164092LL | BOTTOM HEATING HOSE |
| 3 | 5320527BL | COFFEE BOILER DUO/MATRIX |
| 4 | 5494016 | GASKET 56X42X2 |
| 5 | 5302006TP | FITTING M12 X 1/8 |
| 6 | 5192320 | SUCTION HOSE D6X1 L=60MM PTFE |
| 7 | 7666008 | PROBE T.PID AISI316 D3 |
| 8 | 7814001 | WASHER D4 DIN 6798A A2 |
| 9 | 7663573 | GROUND WIRE |
| 10 | 5722312TP | HEATING ELEMENT 230V 800W |
| 10 | 5722313TP | HEATING ELEMENT 115V 800W |
| 11 | 5301507TR | FITTING ELBOW M13X3/8 |
| 12 | 7826212 | SCREW TCI M4X6 UNI6107 OT |
| 13 | 7434009 | THERMOSTAT MANUAL 16A 135°C |
| 14 | 5164091R | UPPER HEATING HOSE |
| 15 | 5302011 | FITTING 3/8 |
| 16 | 7303044TR | FITTING 3/8 |
| 17 | 5495008 | GASKET D23x17.2x3 |

BEZZERA

MATRIX

TABLE 4
MATRIX Mod. MN

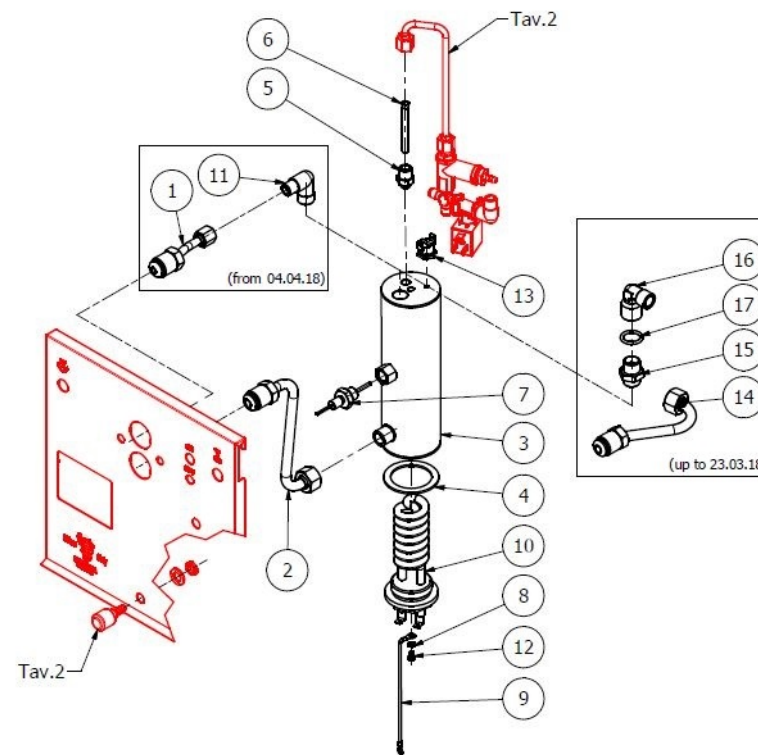


TABLE 5
MATRIX Mod. MN/DE

| POS | CODE | DESCRIPTION |
|-----|--------------|-------------------------------------|
| 1 | 7615002 | DOUBLE FASTON 45° HOLE D6.3 |
| 2 | 5225416TP | FITTING M12XM13 H29,5 S/OR S/PB-NI |
| 3 | 7816002 | SCREW TCEI M4X12 |
| 4 | 7814001 | WASHER D4 DIN 6798A A2 |
| 5 | 5162420LL | STEAM HOSE DUO/MATRIX |
| 6 | 5162419LL | WATER HOSE |
| 7 | 5320528BL | BOILER SERV.MATRIX/DUO |
| 8 | 5302006TP | FITTING M12X1/8 |
| 9 | 5302009 | FITTING M12X1/4 |
| 10 | 5225209TP | FITTING M10X1/4 |
| 11 | 5192321 | SUCTION HOSE D6X1 L=140MM PTFE |
| 12 | 5301506TR | FITTING ELBOW M13X1/4 |
| 13 | 7666008 | PROBE T.PID AISI316 D3 |
| 14 | 7452509.02 | SICURITY VALVE 3/8 |
| 15 | 7452511.01 | VALVE OT+TF |
| 16 | 7434009 | THERMOSTAT MANUAL 16A 135°C |
| 17 | 7496040 | OR GASKET D73X3 VITON 75SH |
| 18 | 7816422 | SCREW TE M6X14 UNI5739/DIN933 A2 |
| 19 | 7816017 | SCREW TCEI M4X6 |
| 20 | 5058125LW | BOILER BRACKET SERVICES DUO/MATRIX |
| 21 | 5225205 | FITTING M10x1 OT |
| 22 | 5192001 | PROBE SHEATH D8X45 HOLE D3 |
| 23 | 5265807 | LEVEL PROBE 2/3/4 GR D3X90X6.3 |
| 24 | 5722239.01AL | HEATING ELEMENT 220/240V 1100/1300W |
| 24 | 5721128.01AL | HEATING ELEMENT 120V 1200W |

TABLE 5
MATRIX Mod. MN/DE

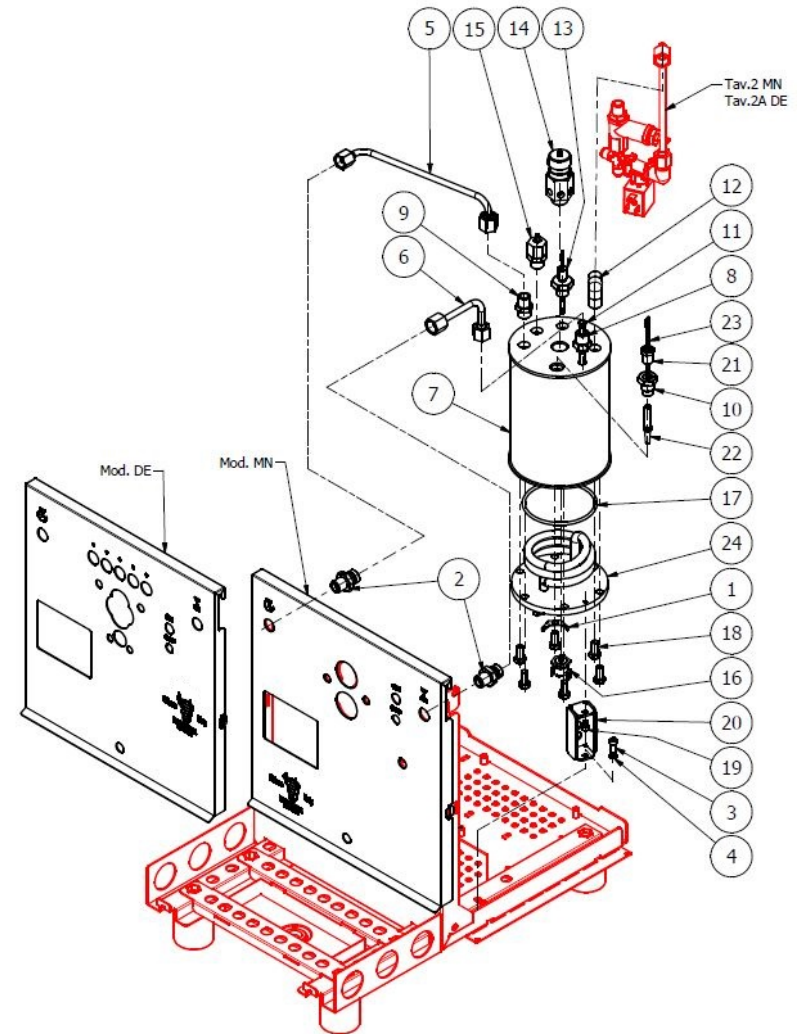


TABLE 6
MATRIX Mod. MN

| POS | CODE | DESCRIPTION |
|-----|---------|-----------------------------|
| 1 | 7811402 | NUTM8 INOX |
| 2 | 7493011 | GASKET E61 GROUP |
| 3 | 5267013 | TIE ROD M8 X 31 ASTM A193 |
| 4 | 7479940 | LEVER GROUP BODY CHROMED |
| 5 | 7479938 | GASKET TF 10X6X1 |
| 6 | 7479939 | SCREW TCEI M6X8 A2 UNI5931 |
| 7 | 7479937 | VALVE DELIVERY |
| 8 | 7479936 | DELIVERY VALVE SPRING |
| 9 | 7479935 | GASKET TF 35X30X2 |
| 10 | 7479934 | OR GASKET 128 VITON 70 |
| 11 | 7479956 | UPPER SLEEVE ASSY |
| 12 | 7479955 | INJECTOR M6X0,75 FORO •0,7 |
| 13 | 7479954 | INOX FILTER •8,5X22 |
| 14 | 7479953 | GASKET TF 22X17X2 |
| 15 | 7479952 | UPPER ASSY PLUG |
| 16 | 7479961 | LOWER CHROMED GROUP FITTING |
| 17 | 7479960 | GASKET TF 26X21X2 |
| 18 | 7479945 | BUSHING 15x6 |
| 19 | 7479944 | DRAIN SPRING |
| 20 | 7479943 | ASSEMBLY RELIEF VALVE |
| 21 | 7479957 | CHROMED LEVER GROUP E61 |
| 22 | 7479942 | SPRING GUIDE BUSHING |
| 23 | 7479946 | LOWER VALVE |
| 24 | 5493039 | GASKET |
| 25 | 5471022 | SHOWER FILTER |
| 26 | 7479941 | GROUP SPRAYER D.30 |
| 27 | 7479951 | CAM STOP PIN |
| 28 | 7479950 | CAM SHAFT |
| 29 | 7479967 | CAM FLANGE |
| 30 | 7479968 | WASHER EP709 15.8X7.8X4 |

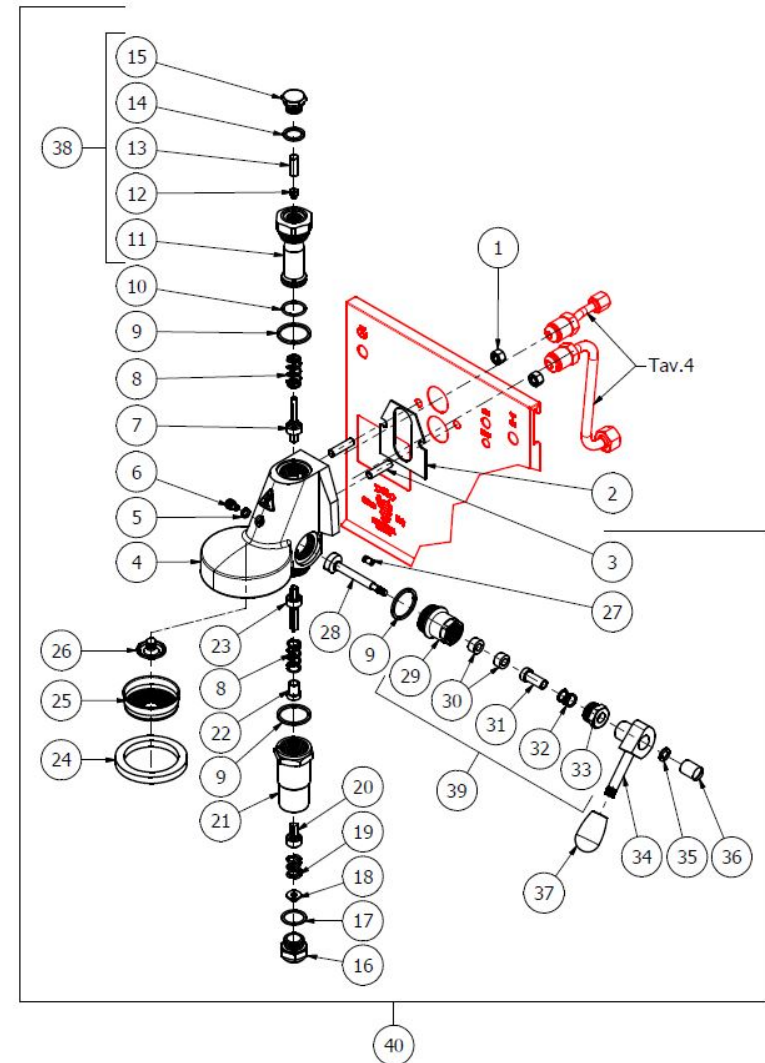
TABLE 6
MATRIX Mod. MN

TABLE 6
MATRIX Mod. MN

| POS | CODE | DESCRIPTION |
|-----|-----------|---------------------------------|
| 31 | 7479969 | BUSHING |
| 32 | 7479970 | SPRING GROUP |
| 33 | 7479971 | PLUG CHROMED |
| 34 | 7479931 | E61 GROUP LEVER CHROMED |
| 35 | 7479947 | WASHER |
| 36 | 7479948 | CAP M6 D15 |
| 37 | 7372004 | KNOB (WOOD) |
| 38 | 7479933 | INJECTOR *0.7 UPPER SLEEVE ASSY |
| 39 | 7479949 | ASSEMBLY CAM FLANGE |
| 40 | 5963576AL | ASSEMBLY GROUP E61 DUO / MATRIX |

TABLE 6
MATRIX Mod. MN

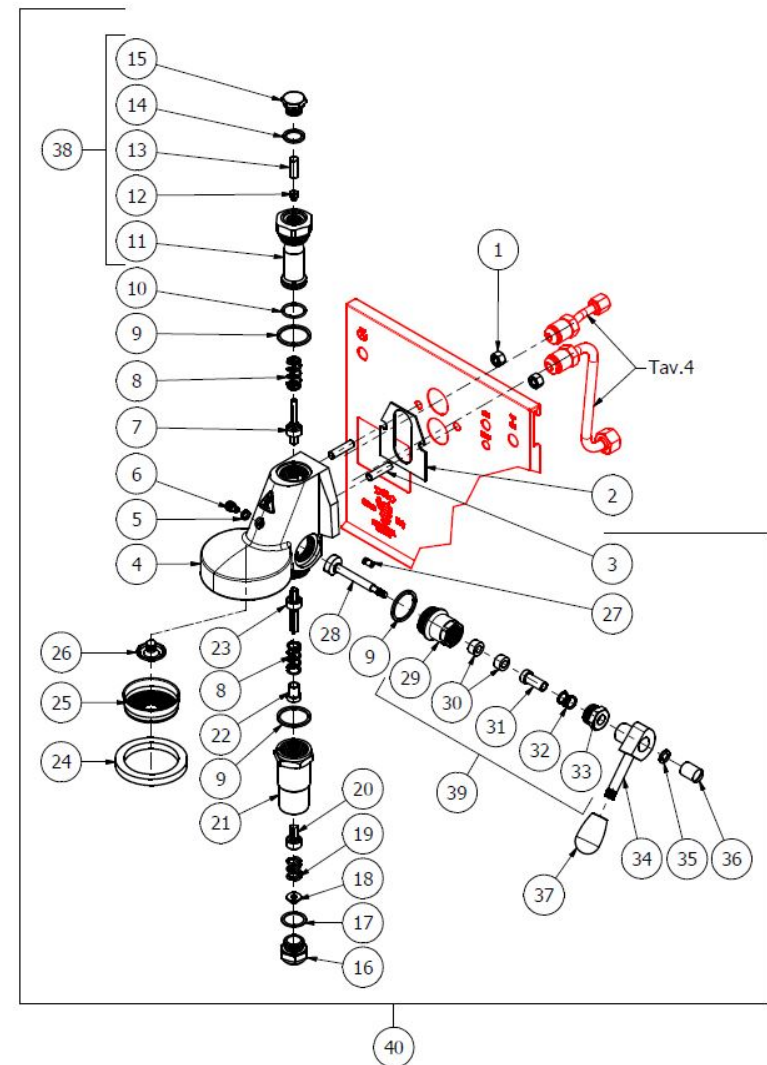


TABLE 6A
MATRIX Mod. DE

| POS | CODE | DESCRIPTION |
|-----|--------------|-------------------------------------|
| 1 | 5073032LW | BZ16 LED COVERAGE |
| 2 | 7663623 | WHITE LEDS 12V |
| 3 | 7809811 | SCREW TCI M3X16 DIN85 PLASTIC |
| 4 | 7822602 | NUT M3 |
| 5 | 5221863CM | CAP NUT M8 CHROMED |
| 6 | 7496004 | OR GASKET 139 |
| 7 | 7816001 | SCREW TCEI M5X12 UNI5931 A2 |
| 8 | 5470501 | SHOWER D57 AISI 304 |
| 9 | 7817001 | SCREW TPS M5X16 A2 |
| 10 | 7496092 | OR GASKET 55X8.1 NBR75SH PEROX ALI |
| 11 | 5285501AL | SHOWER-HOLDER D57 H7,5 |
| 12 | 7304502TR | UNION 1/8 |
| 13 | 7493013 | GASKET BZ07 GROUP |
| 14 | 7816015 | SCREW TCEI M8X25 UNI5931 A2 |
| 15 | 5280502TW-AL | COUPLING RING OT CHROMED |
| 16 | 5283059TW-AL | GROUP BODY BZ OT60-LF |
| 17 | 7819901 | SCREW TBEI M4X12 ISO 7380 A2 |
| 18 | 5056107LL | REINFORCEMENT FRAME DUO / MATRIX DE |
| 19 | 7666003 | PROBE FOR PID WITH DIAM.4MM RING |
| 20 | 7814001 | WASHER D4 DIN 6798A A2 |
| 21 | 7826212 | SCREW TCI M4X6 UNI6107 OT |
| 22 | 5963097.01 | ASSEMBLY HEATING ELEMENT 110V |
| 22 | 5963098.01 | ASSEMBLY HEATING ELEMENT 220/240V |
| 23 | 5963575.02 | ASSEMBLY GROUP BZ |

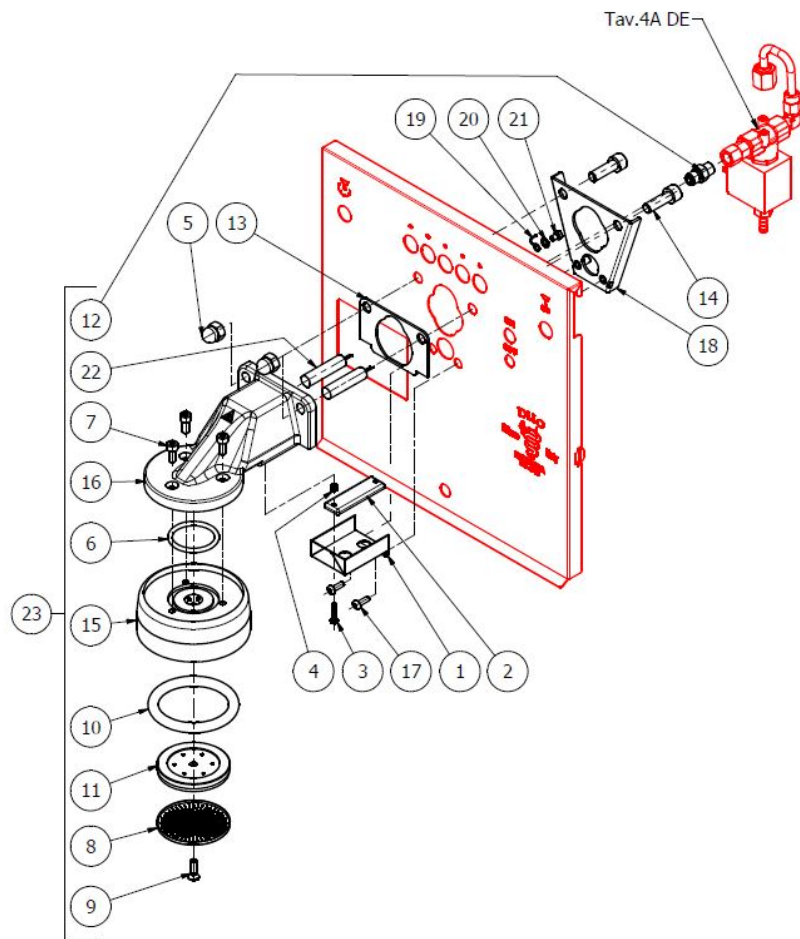
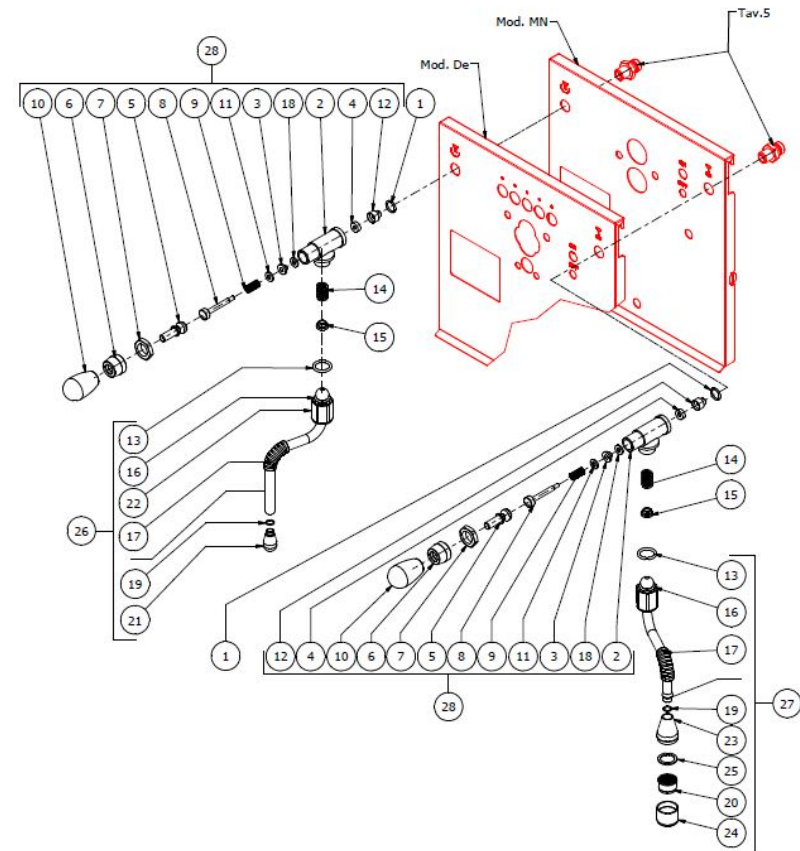
TABLE 6A
MATRIX Mod. DE

TABLE 7
MATRIX Mod. MN/DE

| POS | CODE | DESCRIPTION |
|-----|--------------|---------------------------------|
| 1 | 7496052 | OR GASKET 114 |
| 2 | 5283055TW | TAP BODY |
| 3 | 5494004 | GASKET D12X5X6 PTFE |
| 4 | 5496042 | GASKET D11X4X4 EPT 70 (C6) |
| 5 | 5225610 | ARTICULATION M8 INOX |
| 6 | 5222823CM | RING NUT 3/8 |
| 7 | 5221826CM | CAP NUT 3/8 |
| 8 | 5260204DL | SHAFT D12X47 AISI303 |
| 9 | 5471513 | SPRING D8 H17 AISI302 |
| 10 | 7372004 | KNOB WOOD |
| 10 | 7371511.01 | KNOB (WOOD) |
| 11 | 5261801 | WASHER D11 AISI303 |
| 12 | 5224603TP | GASKET-HOLDER D12X12 OT S/PB-NI |
| 13 | 7496072 | OR GASKET 121 |
| 14 | 5471532 | SPRING |
| 15 | 5190501 | BALL CUP D14.3 PTFE/GLASS |
| 16 | 7496073 | GASKET |
| 17 | 7371004 | INSULATING |
| 18 | 5221837 | WASHER D11 H1.5 |
| 19 | 7496095 | OR GASKET 6X1.2 EPDM70 |
| 20 | 5471037 | ACETALIC FILTER |
| 21 | 7305019 | TERMINAL 2 HOLES |
| 22 | 5221872TW | NUT |
| 23 | 5226621DL | FILTER CONICAL SUPPORT |
| 24 | 5226622DL | RING NUT |
| 25 | 5493046 | GASKET D20.5x15x2 |
| 26 | 7479990.02TW | STEAM HOSE 2 HOLES TERMINAL |
| 27 | 7479985.02TW | WATER HOSE WELDED INOX |
| 28 | 5964101 | ASSEMBLY STEAM HOSE WOOD |

TABLE 7
MATRIX Mod. MN/DE



BEZZERA

MATRIX

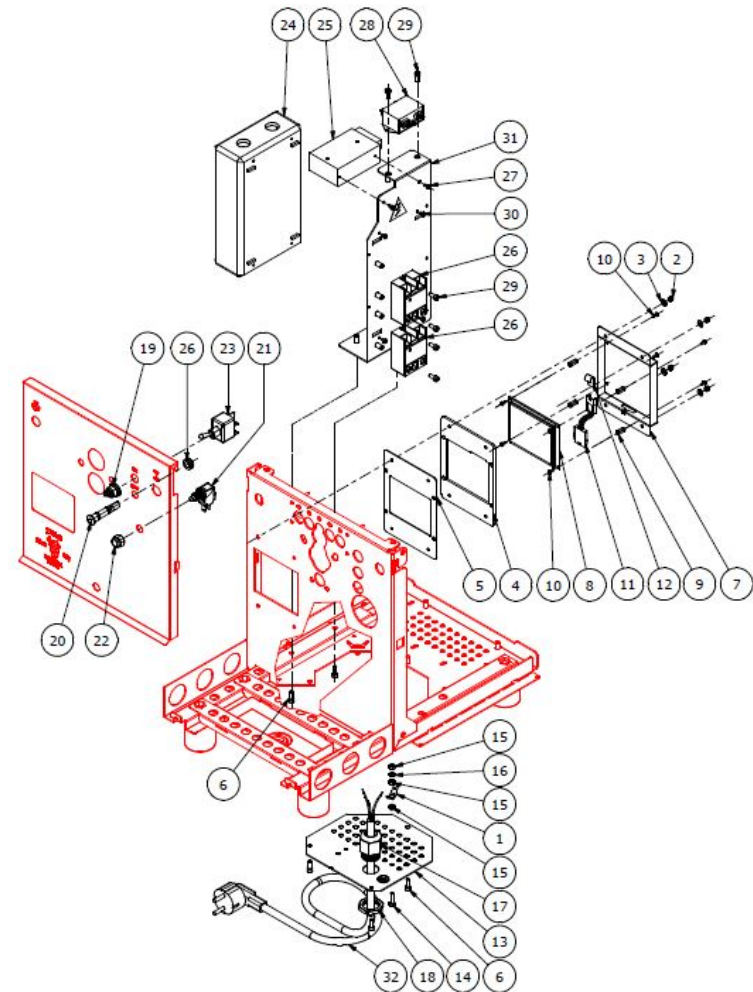
TABLE 8
MATRIX Mod. MN

| POS | CODE | DESCRIPTION |
|-----|------------|------------------------------------|
| 1 | 7615002 | DOUBLE FASTON 45• HOLE D6.3 |
| 2 | 7812402 | SELF-LOCKING NUT M3 INOX |
| 3 | 5057012 | WASHER 4X9X0.7 AISI304 2B |
| 4 | 5493047.01 | GASKET 130X97X3 DISPLAY DUO/MATRIX |
| 5 | 5493049 | GASKET 130X97X1 DISPLAY DUO/MATRIX |
| 6 | 7816002 | SCREW TCEI M4X12 |
| 7 | 5053043LW | DISPLAY COVER DUO/MATRIX |
| 8 | 7431504 | DISPLAY TFT 3,5 |
| 9 | 5191508 | DISPLAY NEW ELLISSE D2.5X12 SPACER |
| 10 | 7374016 | PLASTIC SCREW TC M2.5X6 |
| 11 | 7663518 | DISPLAY CONNECTING CABLE |
| 12 | 7663519 | FLAT DISPLAY CABLE |
| 13 | 5053044 | HEATING ELEMENT COVER |
| 14 | 7826402 | SCREW TE M4X16 UNI5739 OT |
| 15 | 7822603 | NUT M4 OT |
| 16 | 7814001 | WASHER D4 DIN 6798A A2 |
| 17 | 7614007 | CABLE HOLDER |
| 18 | 7614006 | NUT PG.13.5 |
| 19 | 7372507 | PRTOTECTION WITH NICHEL-PLATED NUT |
| 20 | 7633628 | WHITE LAMP 110-230V FM6.3 |
| 21 | 7633906 | MICROSWITCH M1DX20M |
| 22 | 5221875CM | NUT M10x0,75 |
| 23 | 7633326 | BIPOLAR SWITCH LEVER |
| 24 | 7661047PR | CONTROL UNIT DUO/MATRIX |
| 25 | 7637209 | FEEDER 25VA 12V ARCADIA |
| 26 | 7635424.01 | RELAY SSR FOR PID |
| 27 | 7816203 | SCREW TCI M3X5 UNI6107 A2 |
| 28 | 7663007 | NOISE FILTER |
| 29 | 7816017 | SCREW TCEI M4X6 |
| 30 | 7819402 | TAPPING SCREW TB D2.9X6.5 INOX |

BEZZERA

MATRIX

TABLE 8
MATRIX Mod. MN



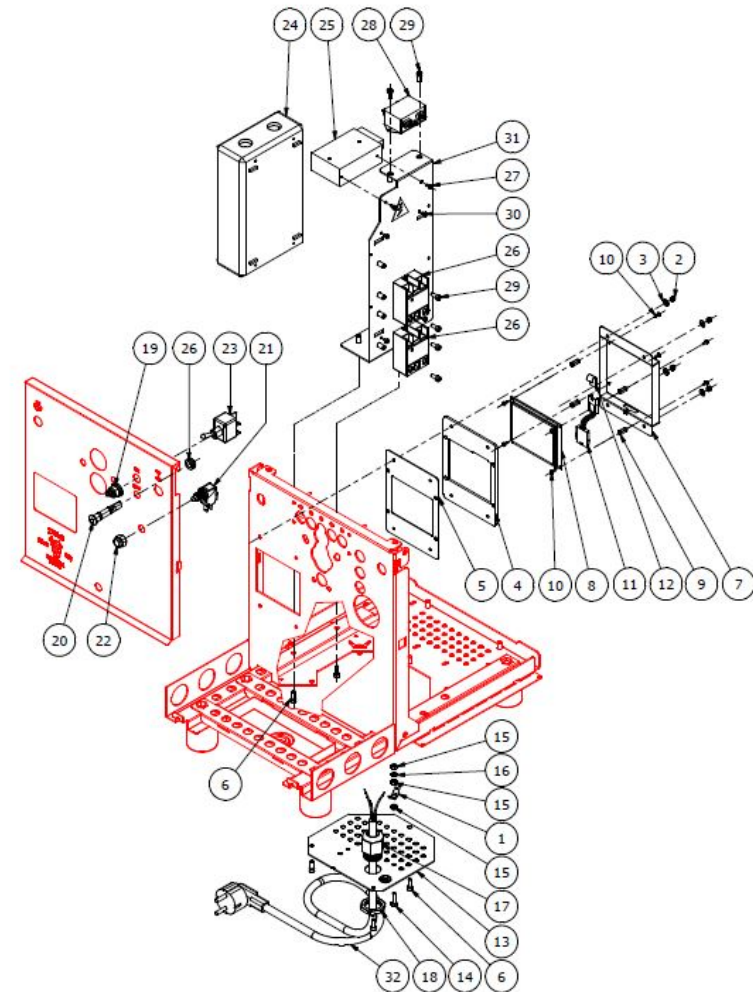
BEZZERA**MATRIX**

TABLE 8
MATRIX Mod. MN

| POS | CODE | DESCRIPTION |
|-----|--------------|-------------------------------------|
| 31 | 5058124.01LL | ELECTRICAL PARTS BRACKET DUO/MATRIX |
| 32 | 7551001 | CABLE WITH USA PLUG 125V 15A |
| 32 | 7551003 | CABLE WITH USA PLUG 250V 20A |
| 32 | 7555001 | CABLE WITH SCHUKO PLUG |
| 32 | 7554001 | CABLE WITH ENGLISH PLUG |
| 32 | 7552001 | CABLE WITH AUSTRALIAN PLUG |
| 32 | 7555003 | CABLE WITH SWITZERLAND PLUG |

BEZZERA**MATRIX**

TABLE 8
MATRIX Mod. MN



BEZZERA

MATRIX

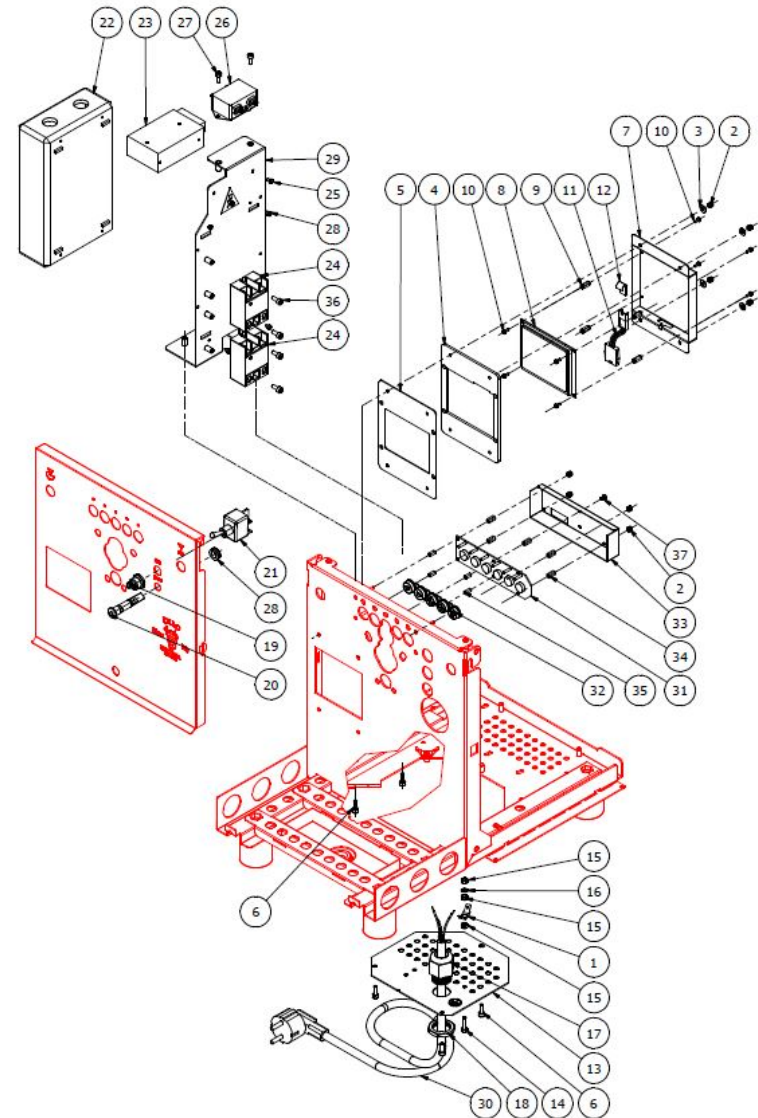
TABLE 8A
MATRIX Mod. DE

| POS | CODE | DESCRIPTION |
|-----|--------------|-------------------------------------|
| 1 | 7615002 | DOUBLE FASTON 45• HOLE D6.3 |
| 2 | 7812402 | SELF-LOCKING NUT M3 INOX |
| 3 | 5057012 | WASHER 4X9X0.7 AISI304 2B |
| 4 | 5493047.01 | GASKET 130X97X3 DISPLAY DUO/MATRIX |
| 5 | 5493049 | GASKET 130X97X1 DISPLAY DUO/MATRIX |
| 6 | 7816002 | SCREW TCEI M4X12 |
| 7 | 5053043LW | DISPLAY COVER DUO/MATRIX |
| 8 | 7431504 | DISPLAY TFT 3,5 |
| 9 | 5191508 | DISPLAY NEW ELLISSE D2.5X12 SPACER |
| 10 | 7374016 | PLASTIC SCREW TC M2.5X6 |
| 11 | 7663518 | DISPLAY CONNECTING CABLE |
| 12 | 7663519 | FLAT DISPLAY CABLE |
| 13 | 5053044 | HEATING ELEMENT COVER |
| 14 | 7826402 | SCREW TE M4X16 UNI5739 OT |
| 15 | 7822603 | NUT M4 OT |
| 16 | 7814001 | WASHER D4 DIN 6798A A2 |
| 17 | 7614007 | CABLE HOLDER |
| 18 | 7614006 | NUT PG.13.5 |
| 19 | 7372507 | PRTOTECTION WITH NICHEL-PLATED NUT |
| 20 | 7633628 | WHITE LAMP 110-230V FM6.3 |
| 21 | 7633326 | BIPOlar SWITCH LEVER |
| 22 | 7661047PR | CONTROL UNIT DUO/MATRIX |
| 23 | 7637209 | FEEDER 25VA 12V ARCADIA |
| 24 | 7635424.01 | RELAY SSR FOR PID |
| 25 | 7816203 | SCREW TCI M3X5 UNI6107 A2 |
| 26 | 7663007 | NOISE FILTER |
| 27 | 7816017 | SCREW TCEI M4X6 |
| 28 | 7819402 | TAPPING SCREW TB D2.9X6.5 INOX |
| 29 | 5058124.01LL | ELECTRICAL PARTS BRACKET DUO/MATRIX |
| 30 | 7551001 | CABLE WITH USA PLUG 125V 15A |

BEZZERA

MATRIX

TABLE 8A
MATRIX Mod. DE



BEZZERA

MATRIX

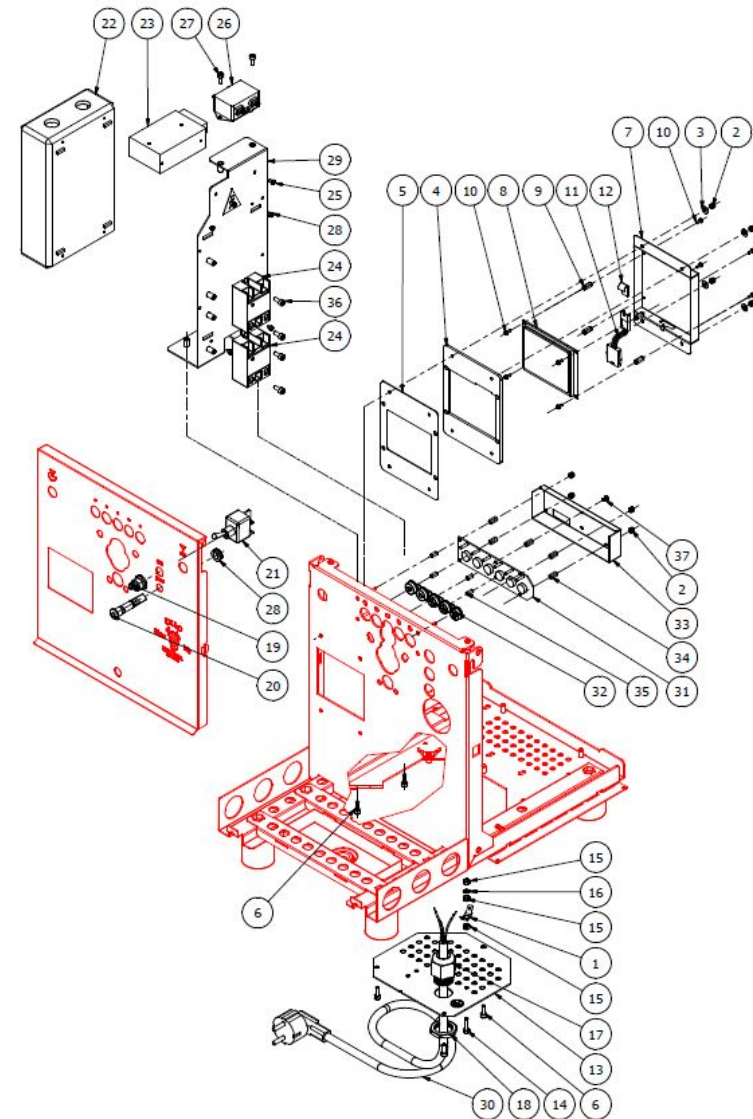
TABLE 8A
MATRIX Mod. DE

| POS | CODE | DESCRIPTION |
|-----|--------------|-----------------------------------|
| 30 | 7551003 | CABLE WITH USA PLUG 250V 20A |
| 30 | 7555001 | CABLE WITH SCHUKO PLUG |
| 30 | 7554001 | CABLE WITH ENGLISH PLUG |
| 30 | 7552001 | CABLE WITH AUSTRALIAN PLUG |
| 30 | 7555003 | CABLE WITH SWITZERLAND PLUG |
| 31 | 7665524.01PR | 6 BUTTONS BOARD WITH 6 WHITE LEDS |
| 32 | 5661505 | 5 BUTTON PACK BLACK ABS |
| 33 | 5053024.02LW | PUSH-BOTTON PANEL COVERAGE |
| 34 | 5191511 | SPACER |
| 35 | 5191514 | PLASTIC SPACER L=8 mm |
| 36 | 7816009 | SCREW TCEI M4X10 |
| 37 | 7809809 | PLASTIC SCREW TCI M3X5 DIN7985 |

BEZZERA

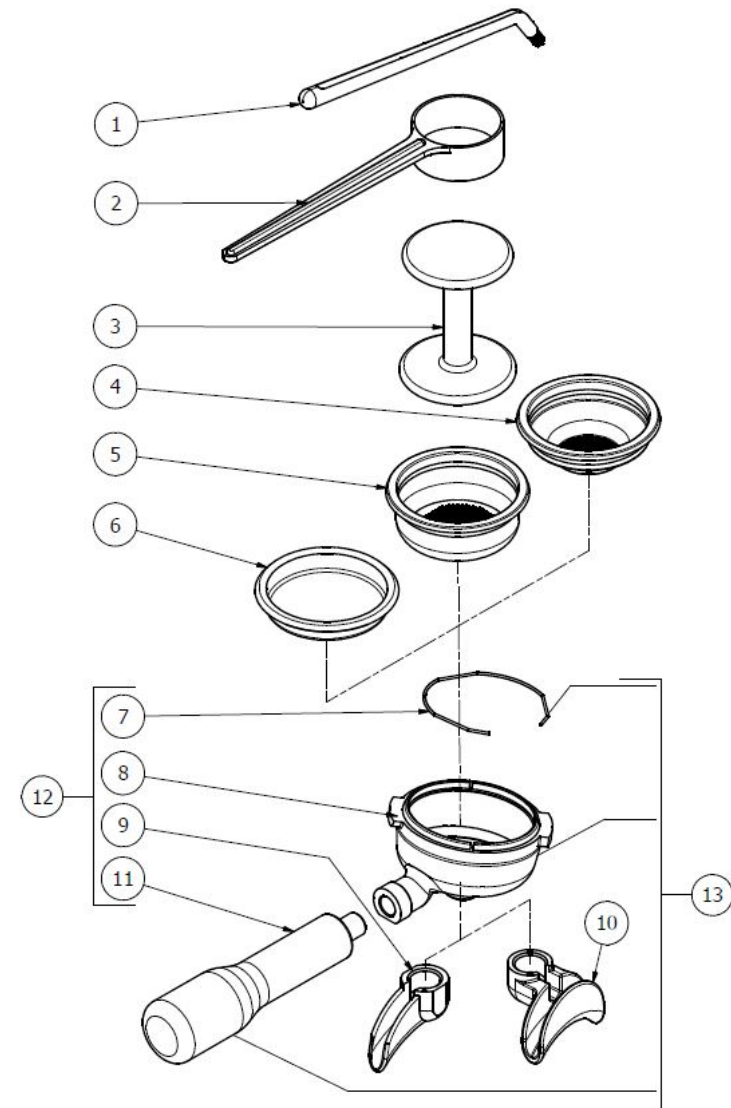
MATRIX

TABLE 8A
MATRIX Mod. DE



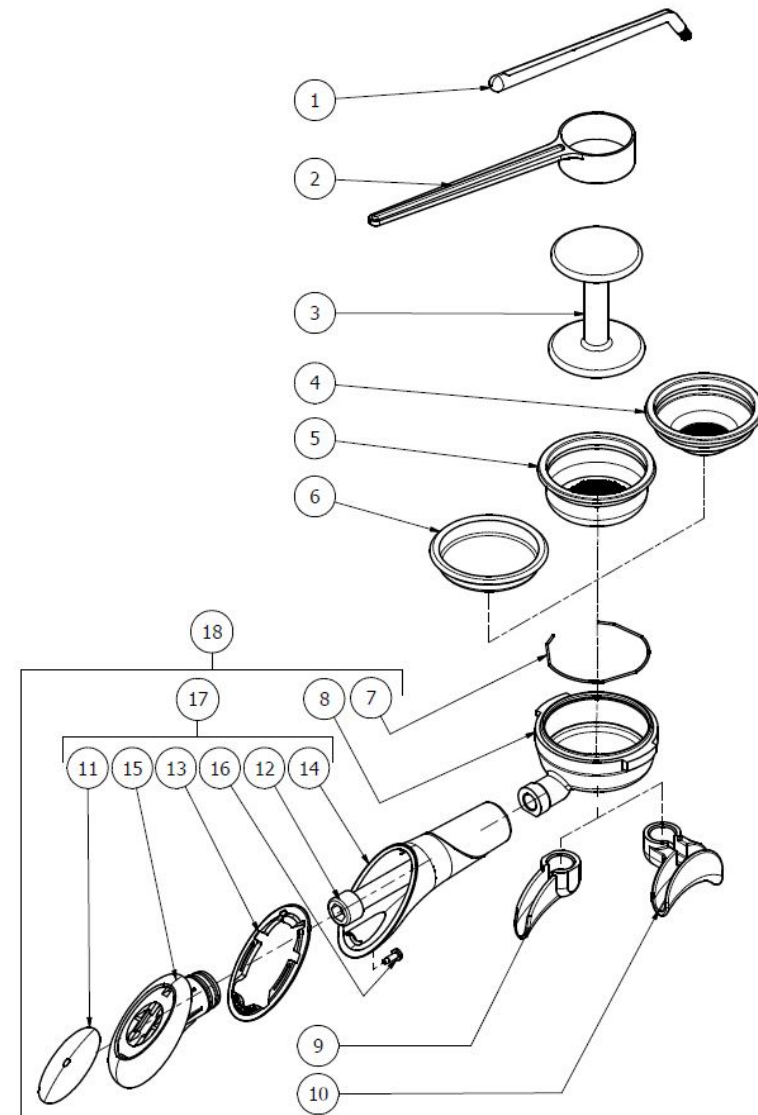
BEZZERA**MATRIX**TABLE 9
MATRIX Mod. DE

| POS | CODE | DESCRIPTION |
|-----|------------|---------------------------------------|
| 1 | 7990603 | CLEANING BRUSH |
| 2 | 5372101 | BLACK MEASURE |
| 3 | 5373001 | COFFEE-PRESS |
| 4 | 5471031.01 | FILTER 1 CUP 8 GRAMS WITH RUN CHANNEL |
| 5 | 5471035 | FILTER 2 CUPS 16 GRAMS |
| 6 | 5471003 | FILTER AISI 430 |
| 7 | 5471527 | SHAPED SPRING |
| 8 | 5286016TW | FILTER HOLDER |
| 9 | 7305006TW | SPOUT 1 WAY |
| 10 | 7305007TW | SPOUT 2 WAY |
| 11 | 7371520 | KNOB (WOOD) |
| 12 | 5965631R | ASSEMBLY FILTER-HOLDER BZ 1CUP (WOOD) |
| 13 | 5965628R | ASSEMBLY FILTER-HOLDER BZ 2CUP (WOOD) |

BEZZERA**MATRIX**TABLE 9
MATRIX Mod. DE

BEZZERA**MATRIX**TABLE 9A
MATRIX Mod. MN

| POS | CODE | DESCRIPTION |
|-----|--------------|---|
| 1 | 7990603 | CLEANING BRUSH |
| 2 | 5372101 | BLACK MEASURE |
| 3 | 5373001 | COFFEE-PRESS |
| 4 | 5471031.01 | FILTER 1 CUP 8 GRAMS WITH RUN CHANNEL |
| 5 | 5471035 | FILTER 2 CUPS 16 GRAMS |
| 6 | 5471003 | FILTER AISI 430 |
| 7 | 5471527 | SHAPED SPRING |
| 8 | 7479972.01TW | FILTER HOLDER |
| 9 | 7305006TW | SPOUT 1 WAY |
| 10 | 7305007TW | SPOUT 2 WAY |
| 11 | 5371205 | PLATE WITH LOGO |
| 12 | 7816026 | SCREW TCEI M12X60 |
| 13 | 7493021 | KNOB GASKET |
| 14 | 5371203 | HANDLE |
| 15 | 5371204.01 | CHROME PLUG |
| 16 | 7809810 | PLASTIC SCREW D3.5x10 |
| 17 | 5978508.02 | KNOB |
| 18 | 5965588.02R | ASSEMBLY FILTER-HOLDER E61 1CUP WITH LOGO |
| 18 | 5965590.02R | ASSEMBLY FILTER-HOLDER E61 2CUP WITH LOGO |

BEZZERA**MATRIX**TABLE 9A
MATRIX Mod. MN

BEZZERA

MATRIX

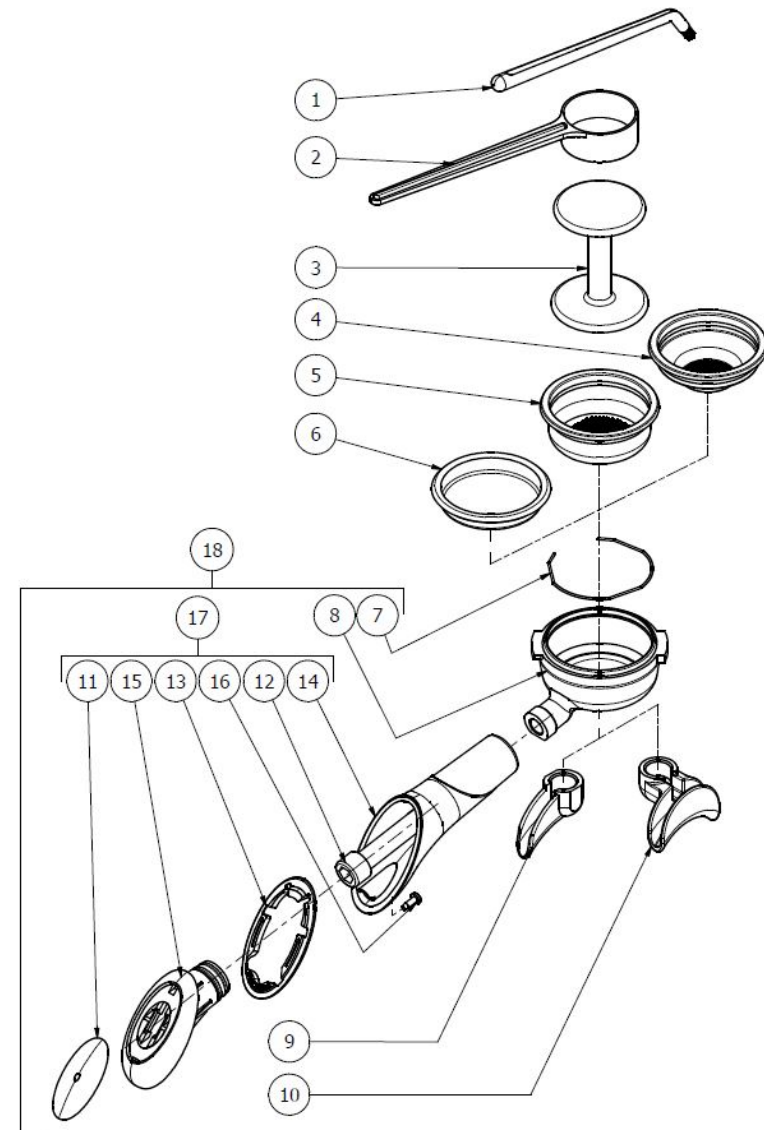
TABLE 9A
MATRIX Mod. DE

| POS | CODE | DESCRIPTION |
|-----|--------------|---|
| 1 | 7990603 | CLEANING BRUSH |
| 2 | 5372101 | BLACK MEASURE |
| 3 | 5373001 | COFFEE-PRESS |
| 4 | 5471031.01 | FILTER 1 CUP 8 GRAMS WITH RUN CHANNEL |
| 5 | 5471035 | FILTER 2 CUPS 16 GRAMS |
| 6 | 5471003 | FILTER AISI 430 |
| 7 | 5471527 | SHAPED SPRING |
| 8 | 7479972.01TW | FILTER HOLDER |
| 9 | 7305006TW | SPOUT 1 WAY |
| 10 | 7305007TW | SPOUT 2 WAY |
| 11 | 5371205 | PLATE WITH LOGO |
| 12 | 7816026 | SCREW TCEI M12X60 |
| 13 | 7493021 | KNOB GASKET |
| 14 | 5371203 | HANDLE |
| 15 | 5371204.01 | CHROME PLUG |
| 16 | 7809810 | PLASTIC SCREW D3.5x10 |
| 17 | 5978508.02 | KNOB |
| 18 | 5965626.01R | ASSEMBLY FILTER-HOLDER E61 1CUP WITH LOGO |
| 18 | 5965625.01R | ASSEMBLY FILTER-HOLDER E61 2CUP WITH LOGO |

BEZZERA

MATRIX

TABLE 9A
MATRIX Mod. DE



BEZZERA**MATRIX**TABLE 9
MATRIX Mod. MN

| POS | CODE | DESCRIPTION |
|-----|--------------|--|
| 1 | 7990603 | CLEANING BRUSH |
| 2 | 5372101 | BLACK MEASURE |
| 3 | 5373001 | COFFEE-PRESS |
| 4 | 5471031.01 | FILTER 1 CUP 8 GRAMS WITH RUN CHANNEL |
| 5 | 5471035 | FILTER 2 CUPS 16 GRAMS |
| 6 | 5471003 | FILTER AISI 430 |
| 7 | 5471527 | SHAPED SPRING |
| 8 | 7479972.01TW | FILTER HOLDER |
| 9 | 7305006TW | SPOUT 1 WAY |
| 10 | 7305007TW | SPOUT 2 WAY |
| 11 | 7371520 | KNOB (WOOD) |
| 12 | 5965630R | ASSEMBLY FILTER-HOLDER E61 1CUP (WOOD) |
| 13 | 5965629R | ASSEMBLY FILTER-HOLDER E61 2CUP (WOOD) |

BEZZERA**MATRIX**TABLE 9
MATRIX Mod. MN