

ECM

MANUFACTURE



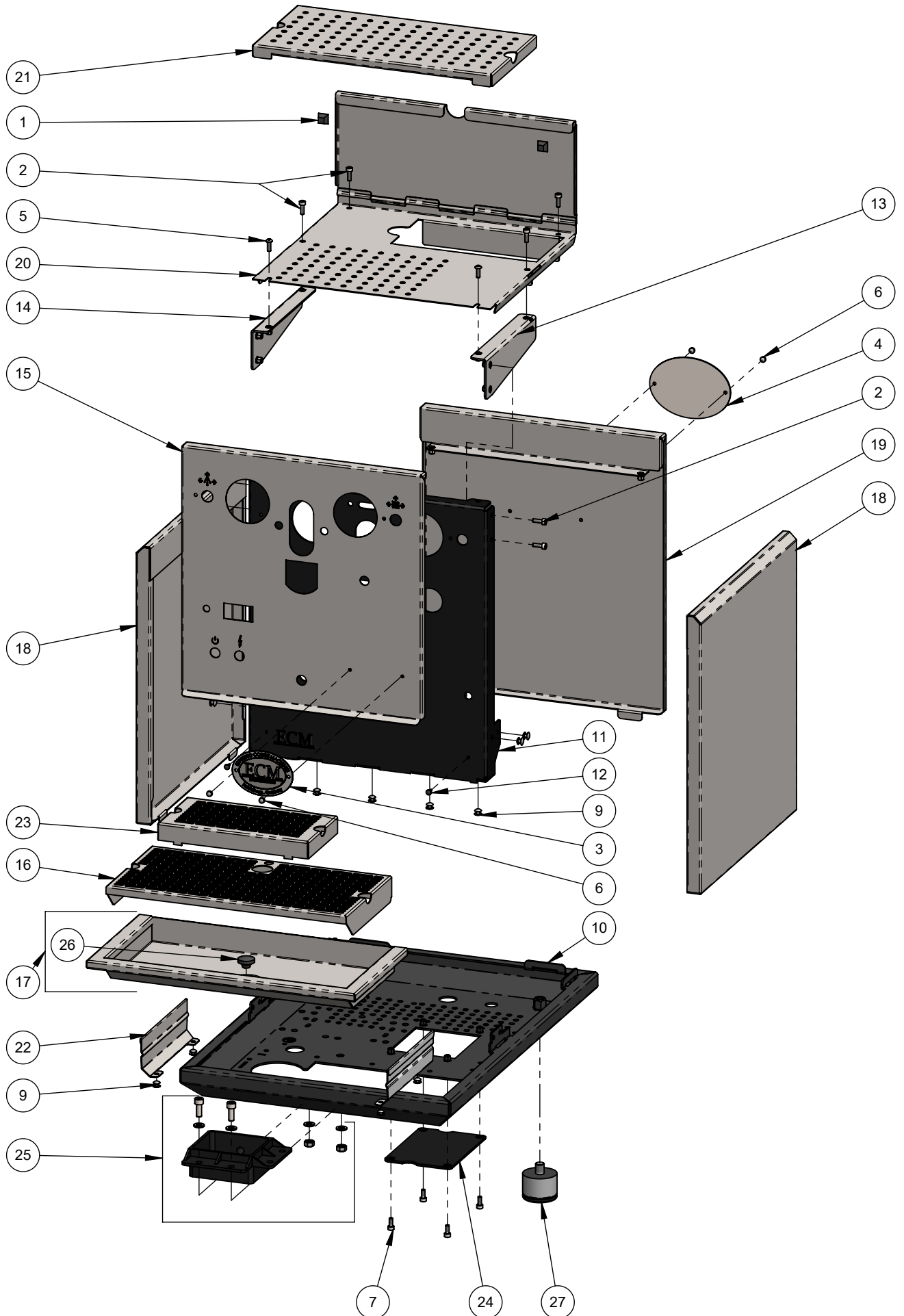
Synchronika II

Art.-Nr. / Item no. 86294

Ersatzteile / Spare parts

Letzte Änderung: Donnerstag, 6. Juni 2024 13:58:30

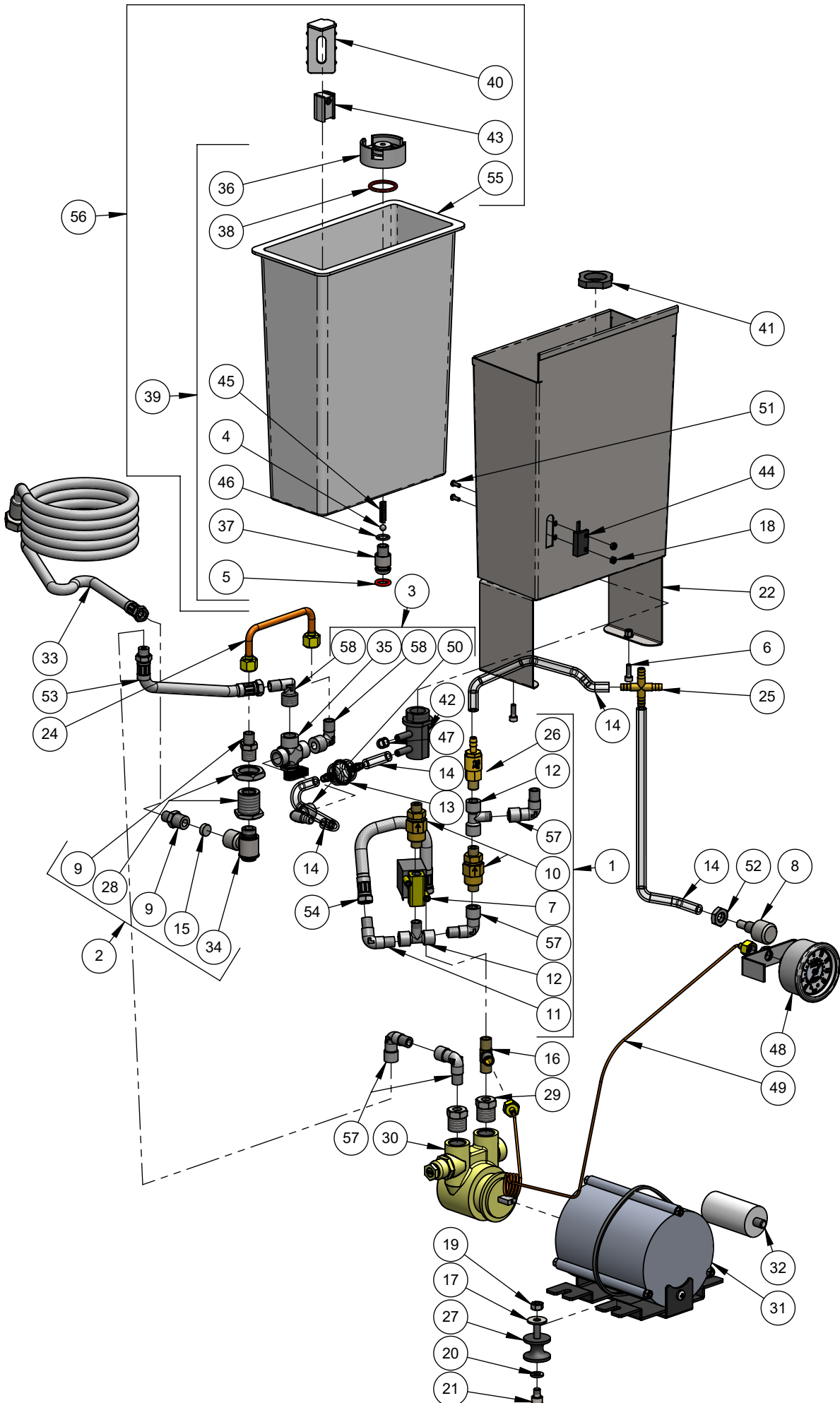
SYNCHRONIKA II EXPLODED DIAGRAM CHASSIS



**SYNCHRONIKA II
PARTS LIST CHASSIS**

POS.	ART. NO	BENENNUNG	DESCRIPTION
1	B7474217	Fuß Tassenablageblech	Adhesive foot for cup warming tray
2	B7819901	Zylinderkopfschraube M4 x 12 A2	Hex socket head cap screw M4 x 12 A2
3	E81100	Emblem ECM Frontblech	Emblem ECM Front panel
4	ER8285	Emblem Rückwand ECM	Emblem back panel ECM
5	P1992	Linsenkopfschraube M4 x 12 A2	Hex socket button head screw M4 x 12 A2
6	P1999	Blindniet Flachrundkopf Ø3,2x8	Blind rivet truss head Ø3,2x8
7	P2006	Zylinderkopfschraube M4 x 10 A2	Hex socket head cap screw M4 x10 A2
9	P2076	Blindniet Ø4,8mm	Blind rivet inox Ø4.8
10	P2281	Grundrahmen Boden	Base frame bottom
11	P2282.1	Grundrahmen Front	Base frame front
12	P2282.3	Puffer	Bumper
13	P2283	Halterung Tassenablage rechts	Bracket cup tray right
14	P2284	Halterung Tassenablage links	Bracket cup warming tray left
15	P2285.1	Frontblech	Front panel
16	P2286	Gitter Auffangschale	Grid drip tray
17	P2287	Auffangschale	Drip tray
18	P2288	Seitenwand links/rechts	Side panel left/right
19	P2289	Rückwand	Rear panel
20	P2290	Tassenablage mit Wassertankdeckel	Cup tray with water tank lid
21	P2291	Tassenablage vorne, abnehmbar	Cup tray front, removable
22	P2292	Führungsschiene Wasserauffangschale	Guide rail drip tray
23	P2293	Höhengitter Synchronika	Height grid Synchronika
24	P2470	Abdeckung Chassis Kunststoff	Cover chassis plastic
25	P2505	Ablaufwanne mit Schrauben	Drainage pan including screws
26	P6027	Gummi Stöpsel Auffangschale	Rubber plug drip tray
27	P7025	Gerätefuß Inox H30mm M10	Appliance feet Inoc H30mm M10

SYNCHRONIKA II EXPLODED DIAGRAM HYDRAULICS



SYNCHRONIKA II

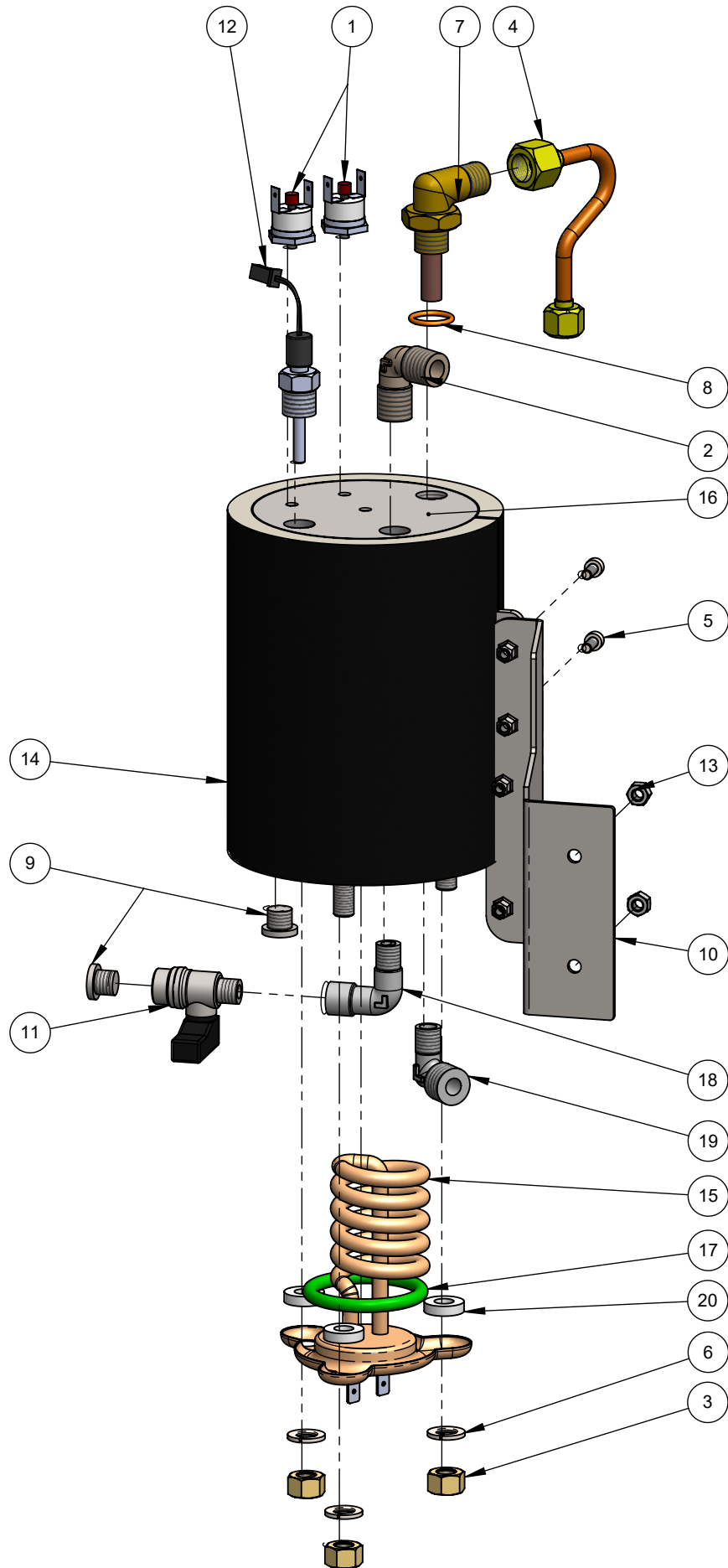
PARTS LIST HYDRAULICS (1)

POS.	ART. NO	BENENNUNG	DESCRIPTION
1	A10001	Ventilblock montiert 230V	Valve block assembled 230V
	A10002	Ventilblock montiert 115V	Valve block assembled 115V
2	A10005	Anschluss Festwasser drehbar	Fixed water connection swivel
3	A10006	3-Wege-Ventil montiert	3-way valve assembled
4	B5471509	Kugel Wassertankverschluss	Ball water tank lock
5	B7496076	Dichtung Wassertankadapter unten	Seal water tank adapter lower
6	B7819901	Zylinderkopfschraube M4 x 12 A2	Hex socket head cap screw M4 x 12 A2
7	C199900275	Magnetventil 2-Wege 1/8"FF 230V/50Hz	Solenoid valve 2-ways 1/8"FF 230V/50Hz
	US1005	Magnetventil 2-Wege 1/8"FF 110V/60Hz	Solenoid valve 2-ways 1/8"FF 110V/60Hz
8	C227700898	Ablaufdüse Messing verchromt	Drain nozzle chromitized brass
9	C229900519	Nippel G1/4"M - G1/8"M	Nipple G1/4"M - G1/8"M
10	C229900548	Rückschlagventil 1/8" MM	Check valve 1/8" MM
11	C229900579	L-Verbindungsstück 1/8"M 1/8"M	Elbow 1/8"M 1/8"M
12	C229900703	T-Stück 1/8" FMF	T-connector 1/8"FMF
13	C439900695	Filter Wassertank	Filter water tank operation
14	C499900772	Silikonschlauch Ø5 x Ø9	Silicone hose Ø5 x Ø9
15	C519900369	Filter Festwasser-eingang	Filter fixed water inlet
16	E2116001	T-Stück 1/8" MMM	T-connector 1/8" MMM
17	P1973	Unterlegscheibe M6 A2 - ØA=18mm	Washer M6 A2 - ØO=18mm
18	P2019	Sechskantmutter M3 A2	Hexagon Nut M3 A2
19	P2051	Sechskantmutter M6 A2	Hex nut M6 A2
20	P2052	Unterlegscheibe M6 A2	Washer M6 A2
21	P2077	Zylinderkopfschraube M6 x 8 A2	Hex socket head cap screw M6 x 8 A2
22	P2123	Führung Wassertank geschlossen	Water tank guide closed
23	P2505	Ablaufwanne mit Schrauben	Drainage pan including screws
24	P2520	Rohr Festwasser / Ventil	Pipe fixed plumbing / Valve
25	P2559	Kreuzfitting messing Schlauch	Cross fitting brass hose
26	P2567	Expansionsventil 14 Bar Rota	Expansionvalve 14 Bar Rota
27	P3015.1	Fuß Motor Rotationspumpe Antivibrante	Foot motor rotation pump
28	P3023	Durchgang G1/4" F - F	Straight-through fitting G1/4" F - F
29	P3024	Reduzierung G3/8"M - G1/8"F	Reducer G3/8"M - G1/8"F
30	P3025	Rotationspumpe 50L/h	Rotary pump 50l/h
31	P3026	Motor Rotationspumpe 220V/50HZ/120W	Motor rotary pump 220V/50HZ/120W
	US1016	Motor Rotationspumpe 110V/60HZ/120W	Motor rotary pump 110V/60HZ/120W
32	P3026.1	Kondensator 5 µF 230V	Capacitor 5 µF 230V
	US1016.1	Kondensator 25µF 110V	Capacitor 25µF 110V
33	P3036	Metallschlauch Flex G1/8"F - G3/8"F 150cm	Flex hose G1/8"F - G3/8"F 150cm
34	P3527	L-Stück 360° drehbar G1/4" M - F	Elbow 360° rotary G1/4" M - F
35	P3528	Ventil 3-Wege manuell G1/4" FFF	Valve 3-ways manual G1/4" FFF
36	P6009.1	Kartuschenhalter Filter	Cartridge holder Filter
37	P6009.2	Stutzen männlich	Male connector
38	P6009.3	O-Ring Kartuschenhalter Wassertank	O-ring filtercartridge holder water tank
39	P6009.BK	Nachrüstset Wassertankadapter mit Filteraufnahme	Retrofit kit water tank adapter with filter holder
40	P6016	Deckel Schwimmer Wassertank	Floater cap water tank
41	P6020.K3	Mutter M20 Wassertank	Watertank adapter connector nut M20
42	P6020.K4	Wassertankadapter M20	Water tank adapter connector
43	P6021	Reed Schwimmer	Reed swimmer
44	P6022	Reed Sensor Wassermangelabschaltung	Reed sensor low water switch-off
45	P6023	Feder Wassertankverschluss	Spring water tank lock
46	P6025	Dichtung Wassertankadapter Mitte	Seal water tank adapter middle
47	P6026	Verschlusskappe WT-Adapter	Closure cap WT-connector silicone
48	P6049	Pumpendruckmanometer "retro" 16 Bar	Pump pressure gauge "Retro" 16 Bar
49	P6051	Kapillarrohr Manometer lang G1/8"F - G1/8"F	Capillary pipe for gauge G1/8"M - G1/8"M
50	P6057	L-Stück 1/4"Mx6	Elbow 1/4"M 6mm silicone tube

SYNCHRONIKA II
PARTS LIST HYDRAULICS (2)

POS.	ART. NO	BENENNUNG	DESCRIPTION
51	P6101	Linsenkopfschraube - M3 x 8 A2	Hex socket button head screw M3 x 8 A2
52	P6103	Sechskantmutter (halb) M10 A2	Hex thin nut chamfered M10 A2
53	P8012	Metallschlauch flex L=180mm G1/8" M - G1/8" F	Flex hose L=180mm G1/8" M - G1/8" F
54	P8016	Metallschlauch flex L=250mm G1/8" F - G1/8" F	Flex hose L=250mm G1/8" F - G1/8" F
55	P9010	Wassertank Rohling	Water tank blank
56	P9010.BK1	Wassertank komplett mit Reed Schwimmer und Filteraufnahme	Watertank complete with reed floater and filter holder
57	P9014	L-Verbindungsstück G1/8" M - G1/8" F	Elbow G1/8" M - G1/8" F
58	P9015	L-Stück G1/4"M - G1/8"M	Elbow G1/4"M - G1/8"M

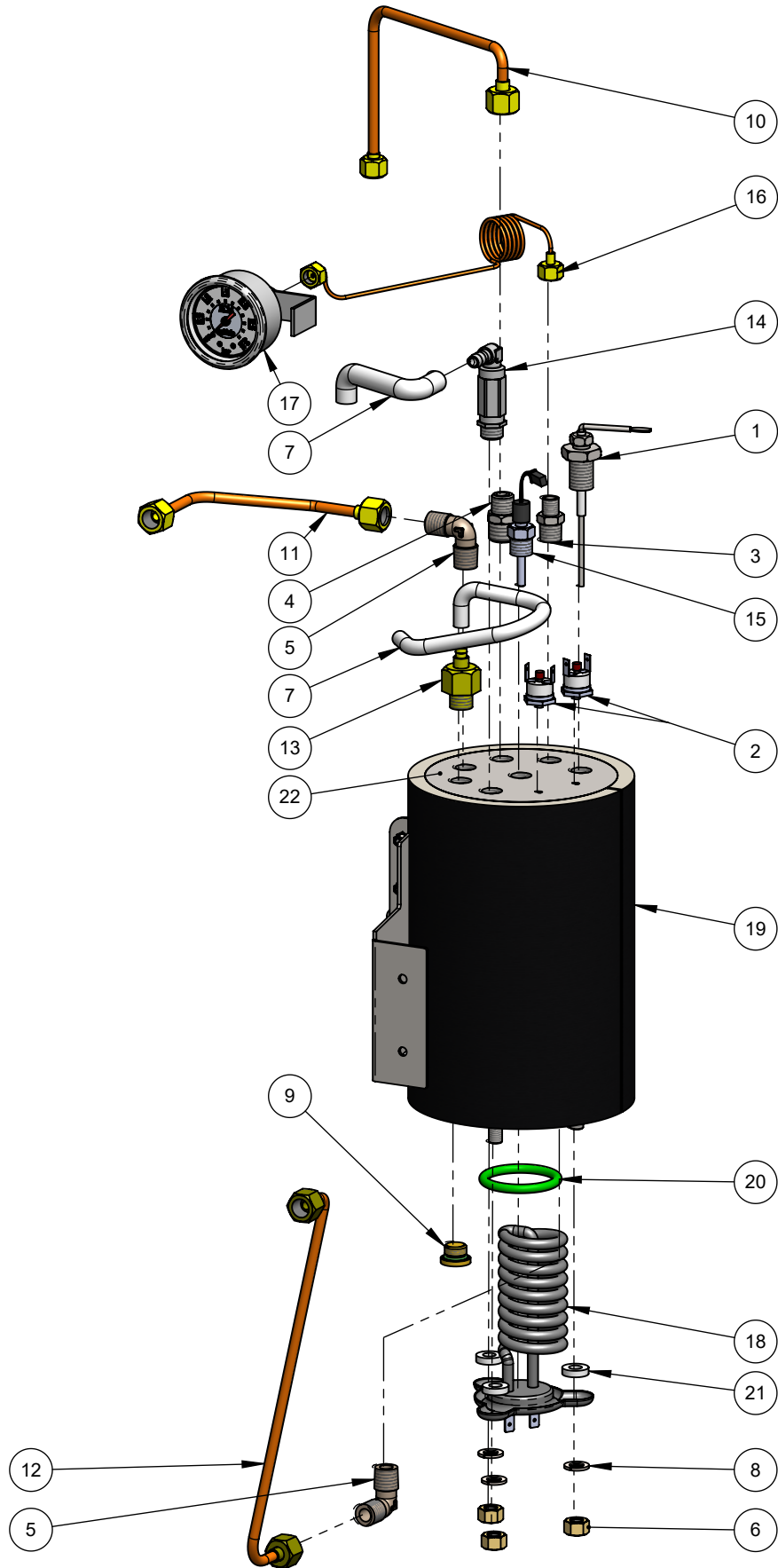
SYNCHRONIKA II EXPLODED DIAGRAM COFFEE BOILER



SYNCHRONIKA II
PARTS LIST COFFEE BOILER

POS.	ART. NO	BENENNUNG	DESCRIPTION
1	C199901550.1	Sicherheitsthermostat 145°C	Safety thermostat 145°C
2	C229900526	L-Verbindungsstück G1/4" M - R1/4" M	Elbow G1/4" M - R1/4" M
3	C309900127.2	Sechskantmutter M8 Messing	Hex nut M8 brass
4	P1904	Rohr 6mm	Boiler loading pipe Rotary pump
5	P2006	Zylinderkopfschraube M4 x 10 A2	Hex socket head cap screw M4 x10 A2
6	P2011	Federring M8 A2	Spring washer M8 A2
7	P2040	Winkel Kessel Wärmetauscher G1/4" M - G1/4" M	Elbow G1/4" M - G1/4" M
8	P2049	Kupferdichtung 1/4"	Copper sealing ring 1/4"
9	P2058	Stopfen m. Dichtung G1/8"	Screw plug with gasket G1/8"
10	P2294	Halterung Kessel	Bracket boiler
11	P3029	Absperrventil G1/8" M - F	Stop valve G1/8" M - F
12	P6037.1	Temperatursensor G1/4"	Temperature probe G1/4"
13	P6102	Sechskantmutter M5 A2	Hexagon nut M5 A2
14	P7051	Isolierung Kaffeekessel	Insulation stainless steel boiler
15	P9011	Heizung Kessel 1000W 230V	Heating element 1000W 230V
	US1008	Heizung Kessel 1000W 110V	Heating element 1000W 110V
16	P9012	Kaffeekessel	Stainless steel boiler
17	P9013	Dichtung Heizung Kessel Edelstahl	Seal heating element stainless steel boiler
18	P9014	L-Verbindungsstück G1/8" M - G1/8" F	Elbow G1/8" M - G1/8" F
19	P9015	L-Stück G1/4"M - G1/8"M	Elbow G1/4"M - G1/8"M
20	P9033	Scheibe Teflon Ø 7,8 x 15,8 x 4 mm	Washer Teflon Ø 7,8 x 15,8 x 4mm

SYNCHRONIKA II EXPLODED DIAGRAM STEAM BOILER

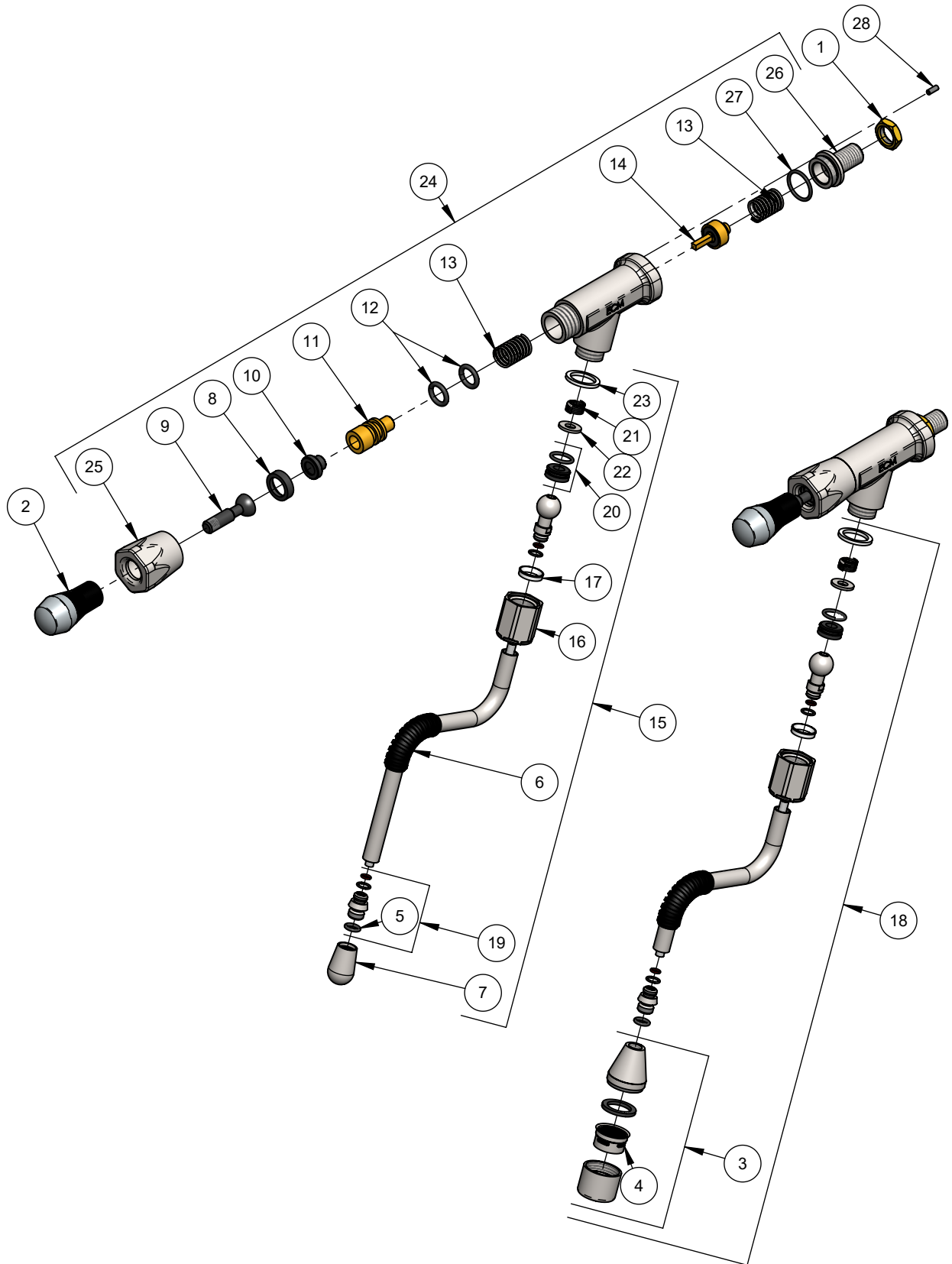


SYNCHRONIKA II

PARTS LIST STEAM BOILER

POS.	ART. NO	BENENNUNG	DESCRIPTION
1	C199900214	Füllstandsonde 120mm	level control probe 120mm
2	C199901550.1	Sicherheitsthermostat 145°C	Safety thermostat 145°C
3	C229900519	Nippel G1/4"M - G1/8"M	Nipple G1/4"M - G1/8"M
4	P2092	Nippel R3/8" - R1/4"	Nipples R3/8" - R1/4"
5	C229900526	L-Verbindungsstück G1/4" M - R1/4" M	Elbow G1/4" M - R1/4" M
6	C309900127.2	Sechskantmutter M8 Messing	Hex nut M8 brass
7	C499900772	Silikonschlauch Ø5 x Ø9	Silicone hose Ø5 x Ø9
8	P2011	Federring M8 A2	Spring washer M8 A2
9	P2060	Verschlussschraube m. Dichtung G1/4"	Blind screw w. gasket G1/4"
10	P2521	Rohr Befüllung Dampf Kessel	Steam boiler loading pipe
11	P2522.1	Rohr Dampfentnahme	Steam extraction pipe
12	P2523	Rohr Wasserentnahme	Water extraction pipe
13	P2561	Antivakuumventil 1/4" M mit Ablauf	Anti-vacuum valve with drain 1/4"
14	P2661	Sicherheitsventil 2,5 Bar m. Ablauf G1/4"	Safety relief valve 2,5 bar w. drain G1/4"
15	P6037.1	Temperatursensor G1/4"	Temperature probe G1/4"
16	P6048	Kapillarrohr Manometer G1/8"M - G1/8"M	Capillary pipe G1/8"M - G1/8"M
17	P6050	Kesseldruckmanometer "Retro" 3Bar	Boiler pressure gauge "Retro" 3Bar
18	P7014.1	Heizung 230V 1400W	Heating element 230V 1400W
	US1000	Heizung 110V 1400W	Heating element 110V 1400W
19	P7052	Isolierung Dampfkessel Edelstahl	Insulation steam boiler INOX
20	P9013	Dichtung Heizung Kessel Edelstahl	Seal heating element stainless steel boiler
21	P9033	Scheibe Teflon Ø 7,8 x 15,8 x 4 mm	Washer Teflon Ø 7,8 x 15,8 x 4mm
22	P9232	Dampf-/Heißwasserkessel	Steam/hot water boiler

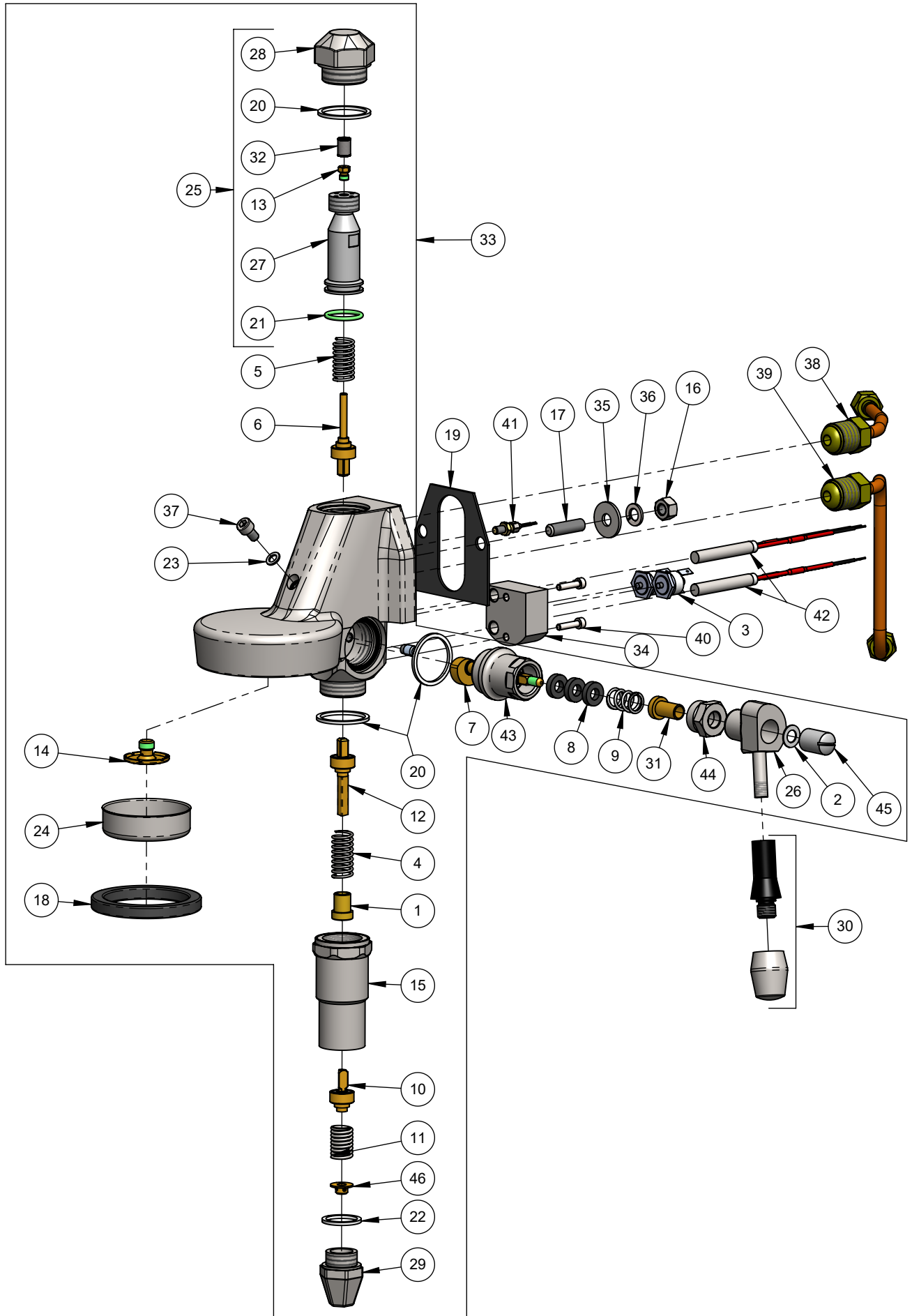
SYNCHRONIKA II EXPLODED DIAGRAM VALVES



SYNCHRONIKA II
PARTS LIST VALVES

POS.	ART. NO	BENENNUNG	DESCRIPTION
1	C329900682	Mutter (halb) 1/4"	Half nut 1/4"
2	P1019	Griff M8 quick steam Ventil	Handle M8 quick steam valve
3	P6001.1	Perlator Heißwasserrohr komplett	Perlator hot water pipe complete
4	P6001.2	Sieb Heißwasserauslass	Strainer hot water outlet
5	P6002.1	OR Dampfdüse	OR Steam nozzle
6	P6002.2	Gummiisolation	Rubber insulation
7	P6002.4	2-Loch Dampfdüse no burn	2-hole Steam-nozzle no burn
8	P6003.2	Inox-Einsatz Ring QS	Inox insert ring QS
9	P6003.3	Hebel QS INOX Halbkugel	Lever QS INOX halfsphere
10	P6003.4	Knopf QS	button sliding/lockelement QS
11	P6003.5	Öffnungsstift Ventildurchlass QS	Opening pin Valve passage QS
12	P6003.6	UNI O-Ring 113	UNI-spec. O-Ring 113
13	P6003.7	Ventilfeder QS	Valve spring QS
14	P6003.9	Ventilstift für QS-Ventil	Valve pin for QS-Valve
15	P6005	Dampflanze No-Burn ECM	Steam lance No-Burn ECM
16	P6005.5	Nuss Dampf-/Heißwasserlanze	Nut steam-/hot water lance
17	P6005.6	Teflonring Nuss	Ball socket teflon
18	P6006	Heißwasserrohr No-Burn	Hot water lance no-burn
19	P6006.1	Adapter Dampfdüse/Heisswasser	Adaptor steam-/hotwater nozzle
20	P6010	Teflonscheibe	Ball socket teflon
21	P6011	Feder Ventil P6000	Spring Valve P6000
22	P6012	Unterlegscheibe Ventil P6000	Washer valve P6000
23	P6015	Teflondichtung für Ventil	Teflon gasket for valve
24	P6070	Dampf- Heisswasserventil ECM G1/4"	Steam hot water valve ECM G1/4"
25	P6070.2	Überwurfmutter Ventilkorpus	Swivel nut valve body
26	P6070.3	Anschluss G1/4" M	Connection screw G1/4" M
27	P6070.4	O-ring DIN 3771 - 17x1.8	Gasket
28	P7000.6	Gewindestift M3 x 8 A2	Hex socket set screw M3 x 8 A2

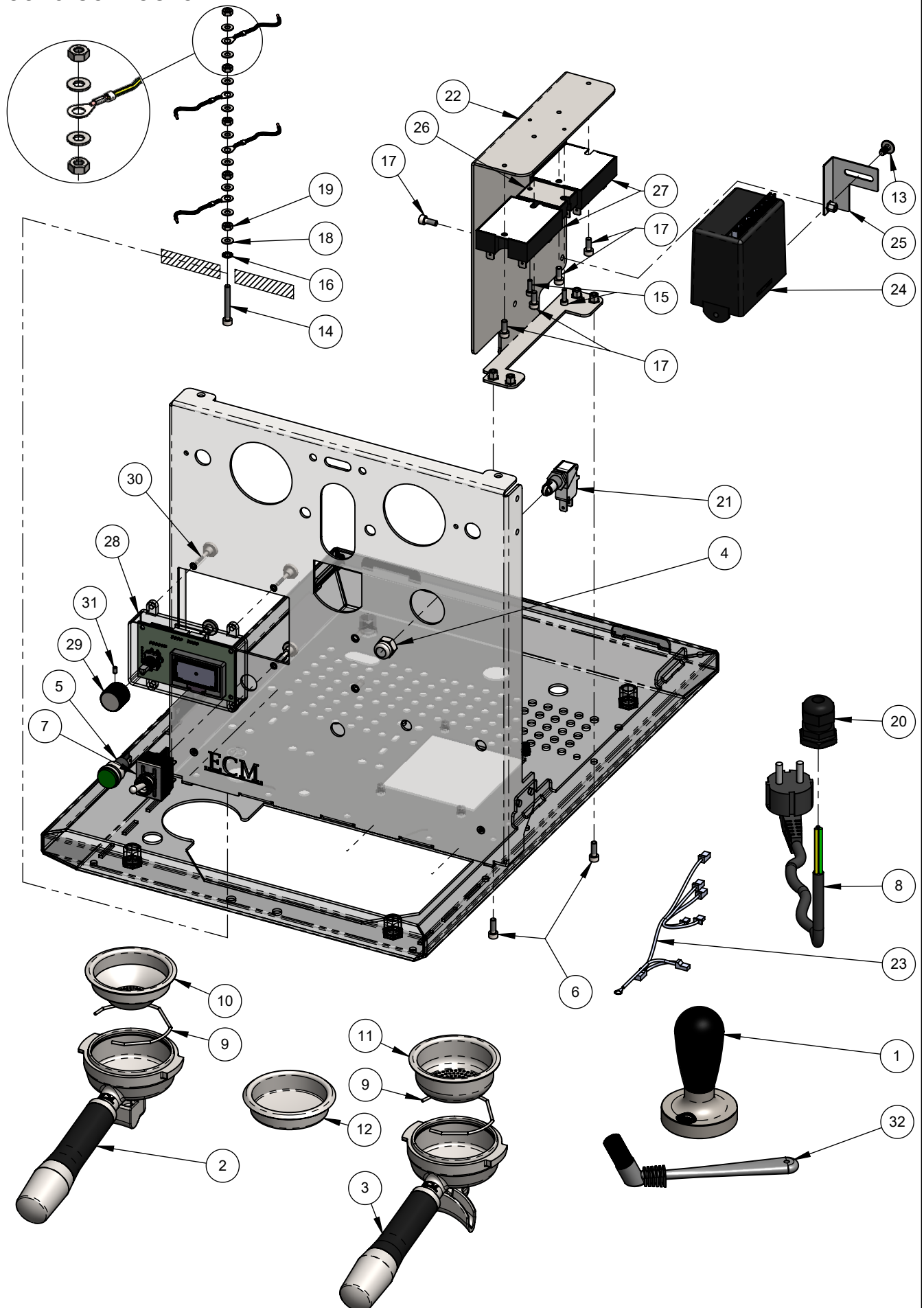
SYNCHRONIKA II EXPLODED DIAGRAM BREWGROUP



SYNCHRONIKA II PARTS LIST BREWGROUP

POS.	ART. NO	BENENNUNG	DESCRIPTION
1	B7479942	Federführung Gruppe	Spring guide group
2	B7479947	Zahnscheibe M8	Lock washer M8
3	C199901550.1	Sicherheitsthermostat 145°C	Safety thermostat 145°C
4	C219900423	Feder Brühgruppe E61	Spring upper/middle
5	C219900423	Feder Brühgruppe E61	Spring upper/middle
6	C219900424	Ventil Brühgruppe E61 oben	Valvestem upper brewgroup E61
7	C219900425	Nockenwelle Brühgruppe E61	Camshaft brewgroup E61
8	C219900426	Stopfbuchsendichtung Nockenwelle E61	Glandseal camshaft brewgroup E61
9	C219900427	Feder Achse Brühgruppe E61	Spring axis group
10	C219900430	Ventil Brühgruppe E61 unten	Valve group E61 lower
11	C219900431	Feder unten	Spring lower
12	C219903081	Ventil Brühgruppe E61 Mitte	Valve group E61 middle
13	C229900549	Gigleur 0,8	Flow restrictor 0,8
14	C229901128	Sprühverteiler	Sprayer brew group
15	C229901165	Vorbrühzylinder	Sleeve assembly
16	C309900127	Sechskantmutter M8 A2	Hex nut M8 A2
17	C309900131	Gewindestift M8 x 30 A2	Socket set screw flat point M8 x 30 A2
18	C449900229	Gruppendichtung	Group gasket H=8,0mm T/M ECM
19	C449900767	Dichtung Brühgruppe am Gehäuse	Gasket brew group/front panel E61
20	C469900421	Dichtung Teflon 35x30x2	Gasket axis 35x30x2
21	C469900422	Dichtung Glocke Brühgruppe	Gasket socket brew group
22	C469900783	Dichtung Teflon E61 unten	Teflon gasket 26x21x2
23	C469901132	Teflondichtung 10x6x1	Teflon gasket 10x6x1
24	C519900103	Duschensieb für alle Modelle E-61	Shower screen E-61
25	P1000.1	E61 Inox Glocke komplett	E61 Inox Mushroom assembly
26	P1000.2	Brühgruppenbedienhebel mit Nocke kurz	Camlever short
27	P1000.3	Brühgruppenzylinder unten	Brewgroup cylinder
28	P1000.4	Verschraubung Brühgruppenzylinder ECM	Screw plug brew group cylinder ECM
29	P1000.5	Auslass Gruppe unten	Outlet brew group bottom
30	P1002	Hebel Gruppe M8 Chrom komplett	Lever E61 M8 chrome
31	P1004	Stutzen Brühgruppe	Grouting piece gland seal
32	P1025.2	Metallfilter Gigleur	Metal filter Gigleur
33	P1075	Brühgruppe E61 ECM mit Bohrungen für Heizpatronen	Brew group E61 ECM with holes for heating cartridges
34	P1076	Aufnahmeblock Heizpatrone	Mounting block heating cartridge
35	P1972	Unterlegscheibe M8 A2 - ØA=24mm	Washer M8 A2 - ØO=24mm
36	P2011	Federring M8 A2	Spring washer M8 A2
37	P2057	Zylinderkopfschraube M6 x 10 A2	Hex socket head cap screw M6 x 10 A2
38	P2524	Rohr Einlauf Gruppe	Inlet pipe brewing group
39	P2525	Rohr Rücklauf Gruppe	Return pipe brewing group
40	P6125	Zylinderkopfschraube M4 x 18 A2	Hex socket head cap screw M4 x 18 A2
41	P7036	Sensor M5 Gruppe	Sensor M5 group
42	P7037	2 Heizpatronen 200W 230V	2 Heating cartridges 200W 230V
	US1058	2 Heizpatronen 200W 110V	2 Heating cartridges 200W 110V
43	R000002142	Flansch	Flange
44	R000002144	Verschraubung Achse Gruppe	Screw joint axis group
45	R000002146	Bolzen Hebel	Bolt lever
46	R000002148	Sprühverteiler unten	Sprayer lower

Erdungsanschluss /
Ground connection



SYNCHRONIKA II

PARTS LIST ELECTRONICS

POS.	ART. NO	BENENNUNG	DESCRIPTION
1	89404.Z	Tamper	Tamper
2	89424	ECM Filterträger 1 Auslauf	ECM Portafiltré 1 spout
3	89425	ECM Filterträger 2 Ausläufe	ECM Portafiltré 2 spouts
4	B5221875CM	Mutter Mikroschalter M10 x 0,75	Hexagon nut microswitch
5	B7633618	Kontrolllampe grün 230V	Control lamp green 230V
6	B7819901	Zylinderkopfschraube M4 x 12 A2	Hex socket head cap screw M4 x 12 A2
7	C199900087	Ein-Ausschalter-Metall Bipol	Toggle switch I/O
8	C199900957	Netzkabel Schuko-Stecker	Power cord-set
	P2034	Netzkabel US-Stecker	Power cord-set US plug
	P2035	Netzkabel UK-Stecker	Power cord-set UK plug
	P2036	Netzkabel AU-Stecker	Power cord-set AU plug
	P2037	Netzkabel CH-Stecker	Power cord-set CH plug
9	C619900098	Haltefeder Filterträger	Locking spring portafilter
10	C619900104	Tassensieb 7g	Filter for 1 cup 7g coffee
11	C619900105	Tassensieb 14g	Filter for 2 cups 14g coffee
12	C619900106	Blindsieb	Blind filter
13	P1968	Schraube Befestigung Elektronik / Netzteil	Fastening screw control / power supply unit
14	P1983	Zylinderkopfschraube M4 x 30 A2	Hex socket head cap screw M4 x 30 A2
15	P1995	Zylinderkopfschraube M3 x 10 A2	Hex socket head cap screw M3 x 10 A2
16	P2004	Fächerscheibe M4 A2	Serrated lock washer M4 A2
17	P2006	Zylinderkopfschraube M4 x 10 A2	Hex socket head cap screw M4 x10 A2
18	P2009	Unterlegscheibe M4 A2	Washer M4 A2
19	P2026	Sechskantmutter M4 A2	Hex nut M4 A2
20	P2070	Kabelbefestigung mit Mutter	Cable gland with nut
21	P2081	Mikroschalter Rollenstößel	Microswitch with wheel
22	P2112	Halterung Elektronikbox/ Relais	Bracket control box/ relais
23	P2580.3	Kabelbaum	Cable harness
24	P2805	Elektronik 230V & 110V	Control 230V & 110V
25	P3005	Halterung Elektronik	Bracket electronic
26	P6029	Statisches Relais klein	Solid state relay
27	P6031	Statisches Relais	Solid state relay
28	P6067	Display mit Drehencoder	Display with rotary encoder
29	P6068	Drehknopf Encoder	Rotary knob encoder
30	P6122	Rändelschraube hohe Form M3 x 16 A1	Knurled thumb screw high type M3 x 16 A1
31	P6124	Gewindestift M3 x 6 A2	Socket set screw cone point M3 x 3 A2
32	R210	Reinigungspinsel	Cleaning brush coffee machine