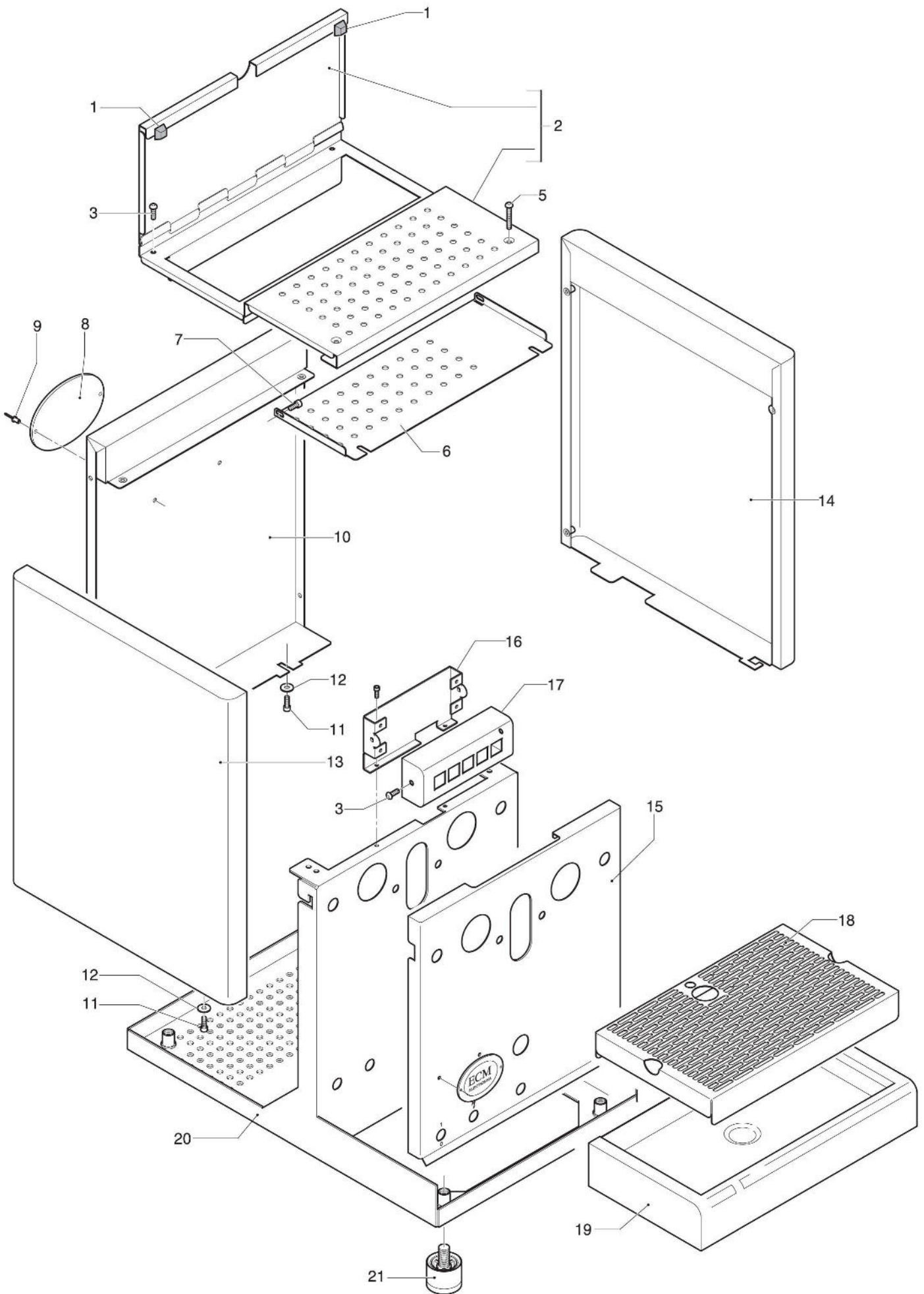




ELEKTRONIKA II PROFI Art.-Nr. 84274

Ersatzteile / Spare parts / Parti di ricambio

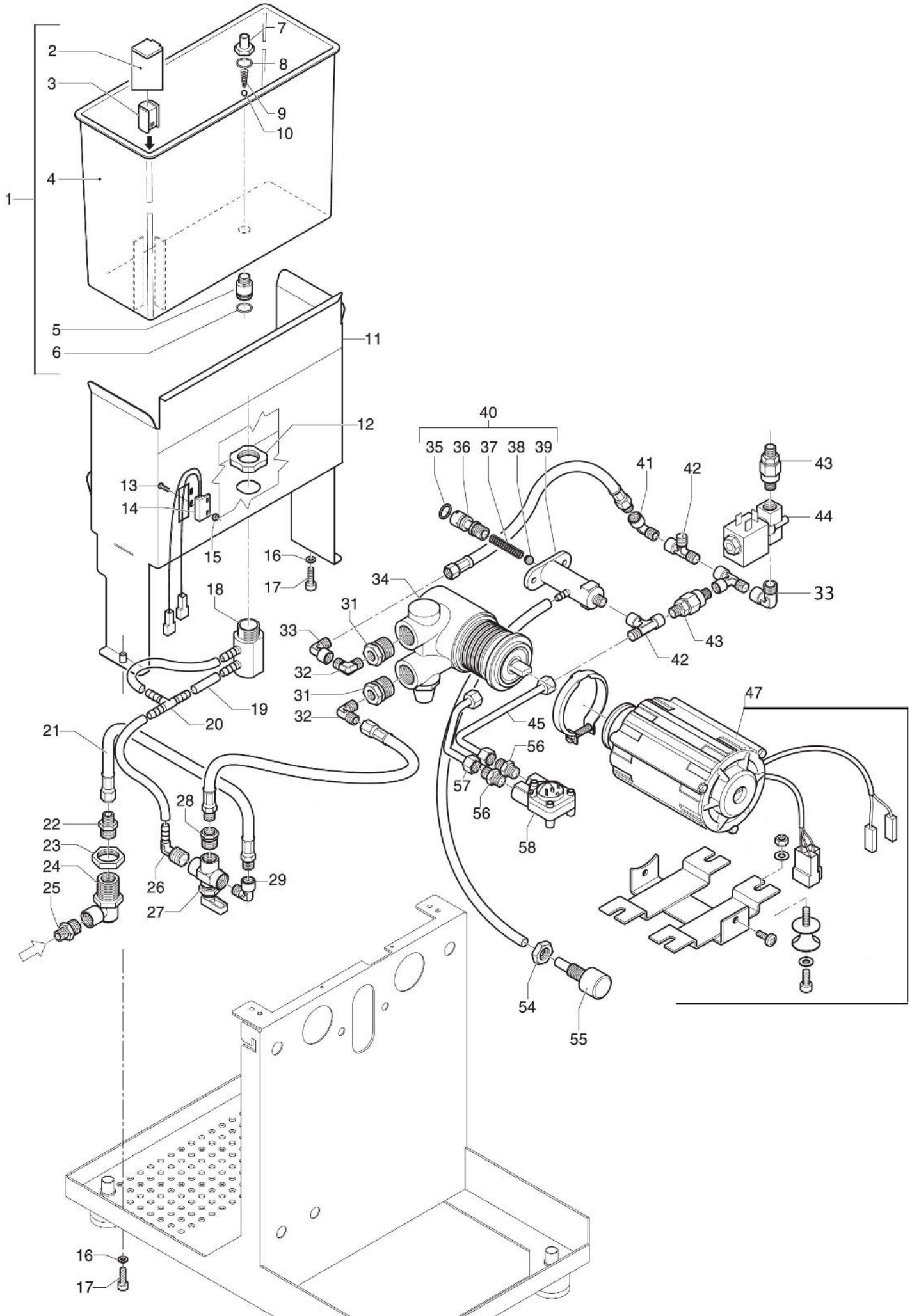
Drawing 01



Elektronika Profi II - Table 1

| Pos. | Artikelnr./ item no./ num.art. | Bezeichnung | Description | Descrizione |
|------|--------------------------------------|----------------------------------|----------------------------------|-----------------------------|
| 1 | B7474217 | Fuß für Tassenablage | Foot heater grid | Piedino adesivo |
| 2 | P3011.E1 | Tassenablage | Cup warming tray | Scaldatazze |
| 3 | P2022 | Schraube Linse M4x10 A2 glänzend | Lens-head screw M4x10A2 polished | Vite bombata M4x10A2 lucida |
| 5 | B7819911 | Schraube Linse M4x25 | Lens-head screw M4x25 | Vite TTEI M4X25 |
| 6 | P3012 | Untere Tassenablage | Lower cup warming tray | Scaldatazze sotto |
| 7 | B7826212 | Schraube Zylinder M4x6 | Screw cylinder M4x6 | Vite TCI M4x6 |
| 8 | ER8285 | Emblem Rückseite | Label backside | Emblema retro |
| 9 | P1999 | Blindniete Flachrundkopf 3x8 | Blind rivet truss head 3x8 | Rivetto 3x8 |
| 10 | P3010 | Rückwand | Rear panel | Pannello posteriore |
| 11 | P2006 | Schraube Zylinder M4x10 A2 | Screw cylinder M4x10 A2 | Vite TCI M 4x10 A2 |
| 12 | P6100 | Unterlegscheibe | Washer | Rondella piana |
| 13 | P3009 | Seitenwand links | Side panel left | Spalla SX |
| 14 | P3008 | Seitenwand rechts | Side panel right | Spalla DX |
| 15 | P3032 | Frontblech | Front panel | Frontalino |
| 16 | P3031 | Halterung Tastatur | Fitting control panel | Supporto pulsantiera |
| 17 | P3030 | Abdeckung Tastatur | Cover control panel | Copertura pulsantiera |
| 18 | P3023.4 | Gitter Wasserauffangschale | Grid drip tray | Griglia bacinella |
| 19 | M3024.4 | Auffangschale | Drip tray | Bacinella |
| 20 | P3001.5 | Grundchassis | Base chassis | Basamento frontale |
| 21 | P7025 | Gerätefuß inox | Foot inox | Piedino inox |

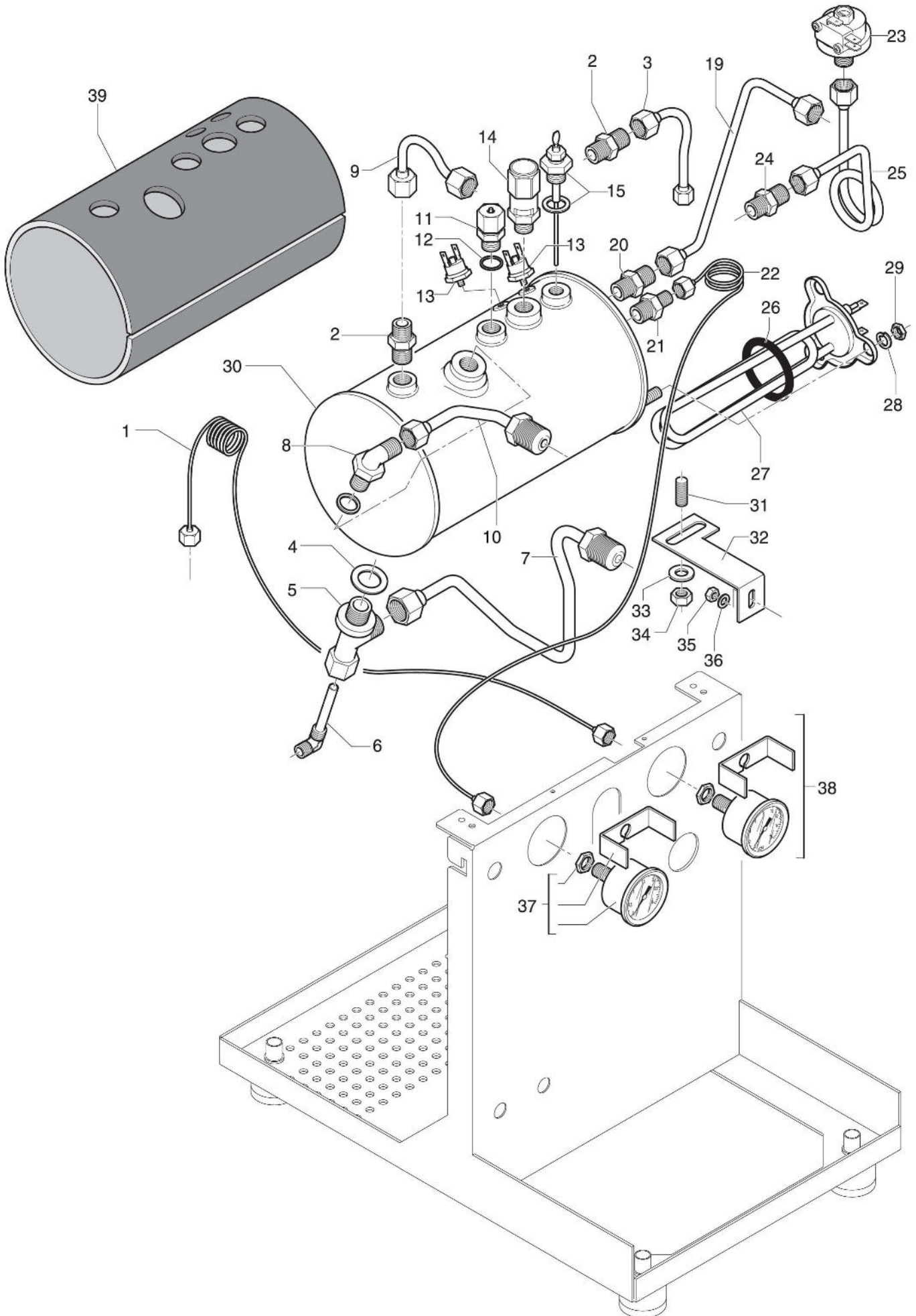
Drawing 02



Elektronika Profi II- Table 2

| Pos. | Artikelnr./ item no./ num.art. | Bezeichnung | Description | Descrizione |
|------|--------------------------------------|-------------------------------------|--|---------------------------------------|
| 1 | P6014.K.K | Wassertank komplett | Water tank with guide rail reed complete | Serbatoio completo |
| 2 | P6016 | Wassertank Stöpsel | Water tank plug | Tappo per serbatoio |
| 3 | P6021 | Reed Schwimmer | Reed swimmer | Galleggiante- float |
| 4 | P6014 | Wassertank Grundkörper | Water tank base | Serbatoio con scanalatura |
| 5 | P6020.K2 | Wassertankadapter Nr2 K | Water tank adapter no2 plastic | Perno portagomma Serbat N2 K |
| 6 | B7496076 | Dichtung OR 112 | Seal OR 112 | Guarnizione OR 112 |
| 7 | P6020.K1 | Wassertankadapter Nr1 K | Water tank adapter no1 plastic | Portagomma innesto serbatoio N1 K |
| 8 | P6020.3 | Oring Wassertankadapter K | OR water tank adapter plastic | Guarnizione OR3056 |
| 9 | P6023 | Feder Wassertank | Sping water tank | Molla serbatoio |
| 10 | B5471509 | Kugel 7/32" AISI 304 | Ball 7/32" AISI 304 | Sfera Inox |
| 11 | M3006.5 | Wassertankführung, geschlossen | Water tank guide rail, closed | Guida Serbatoio per read 304 chiusa |
| 12 | P6020.K3 | Mutter M20 Wassertank Nr3 K | Nut M20 water tank plastic no3 | Dado N 3 K |
| 13 | P2021 | Schraube Linse M3x10 A2 | Screw lens M3x10 A2 | Vite Bombata M3x10 A2 |
| 14 | P6022 | Reed Sensor | Reed sensor | Sensore- Reed con faston maschio 5,3 |
| 15 | P2019 | Mutter M3 A2 | Nut M3 | Dado M3 A2 |
| 16 | P2009 | Unterlegscheibe 0 4 | Washer 0 4 | Rondella piane 0 4 |
| 17 | P2006 | Schraube Zylinder M4x10 A2 | Screw cylinder M4x10 A2 | ViteTCI M 4x10 A2 |
| 18 | P6020.K4 | Fitting Wassertank M20 Nr 4 K | Fitting water tank M20 no4 plastic | Bicchierino serbatoio N 4 K |
| 19 | C499900769 | Silikonschlauch 8x5 | Silicone hose 8x5 | Tube Silicone 8x5 |
| 20 | C400001932 | Verbindungsstück T-Stück Kunststoff | Connector T-fitting plastic | T Fitting plastic |
| 21 | P8012 | Metallschlauch flex. 17 cm | Metal hose flex 17 cm | Tube flex 17 cm |
| 22 | C229900519 | Nippel 1/4" - 1/8" | Dowel 1/4" 1/8" | Nipples 1/4" - 1/8" |
| 23 | P3023 | Durchgang FF 1/4" 1/4" | Run FF 1/4" 1/4" | Passaparete FF 1/4" 1/4" |
| 24 | P3527 | Winkel drehbar 382/S 1/4"M-1/4"F | Rot. elbow 382/S 1/4"M-1/4"F | Gomito Girevole 382/S 1/4"M-1/4"F |
| 26 | P6057 | Anschluss Silikon L 1/4" x 6 | Connector silicone L 1/4" x 6 | Portagomma conico L 1/4" x 6 |
| 27 | P3528 | Ventil 3 Wege manual 1/4" | Three-way valve manual 1/4" | Valvola a sfera 3 vie pass.L 1/4 |
| 28 | P2030 | Reduzierstück 1/4"M 1/8"F | Reducer 1/4"M-1/8"F | Riduzione 1/4" M 1/8"F |
| 29 | P6058 | L Verbindungsstück 1/4"M 1/8"F | L-connector 1/4"M 1/8"F | Raccordo L 1/4"M 1/8"F |
| 31 | P3024 | Reduzierung 3/8"M 1/8"F | Reducer 3/8"M-1/8"F | Riduzione 3/8"M 1/8"F |
| 32 | C229900579 | L-Verbindungsstück 1/8"M 1/8"M | L-connector 1/8"M 1/8"M | Raccordo L 1/8"M 1/8"M |
| 33 | P9014 | L-Verbindungsstück 1/8"M 1/8"F | L-connector 1/8"M 1/8"F | Raccordo L 1/8" M 1/8"F |
| 34 | P3025 | Rotationspumpe 50L/h | Rotary pump | pompante a fascetta 50 l |
| 35 | P7000.5 | OR Expansionsventil | Expansion valve | OR Valv.Espansione |
| 36 | P7000.2 | Drückjustage Expansioventil | Pressure adjustment expansion valve | Regolatore pressione |
| 37 | P7000.3 | Feder Expansionsventil | Spring expansion valve | Molla Espansione |
| 38 | P7000.4 | Gummistöpsel | Rubber plug expansion valve | Funghetto in gomma |
| 39 | P7000.1 | Grundkörper Expansionsventil T/M4 | Base hull expansion valve | Corpo valvola espansione |
| 40 | P7000 | Expansionsventil komplett | Expansion valve complete | Valvola espansione completa |
| 42 | C229900644 | T-Stück 1/8" MMF | T-connector 1/8" MMF | Raccordo a T 1/8" mmf |
| 43 | C229900548 | Rückschlagventil 1/8" MM | Recoil valve 1/8" MM | Valvola non ritorno |
| 44 | C199900275 | Magnetventil 230V/ 50Hz 1/8 | Solenoid valve 230V | Elettrovalvola 230V/ 50 Hz 2 vie 1/8" |
| 44 | US1005 | Magnetventil 110V 2 Wege 1/8"-1/8" | Solenoid valve 110V 2 ways 1/8"-1/8" | Elettrovalvola 2 Vie 1/8"-1/8" |
| 45 | P1905 | Alimentationsrohr T/M Rota. | Downtake tube M/T Rota. | Tube ingresso iniettore |
| 47 | P3026 | Motor RPM 220V/50 120W | Motor RPM 220V/50 120W | Motor RPM 220V/50 120W |
| 47 | US1016 | Motor RPM 110V/60 120W | Motor RPM 110V/60 120W | Motor RPM 110V/60 120W |
| 54 | P6103 | Halb Mutter M10 A2 | Half nut M10 A2 | Filtro per tubo silicone |
| 55 | C227700898 | Ablaufdüse | Discharge nozzle | Scarico espansione |

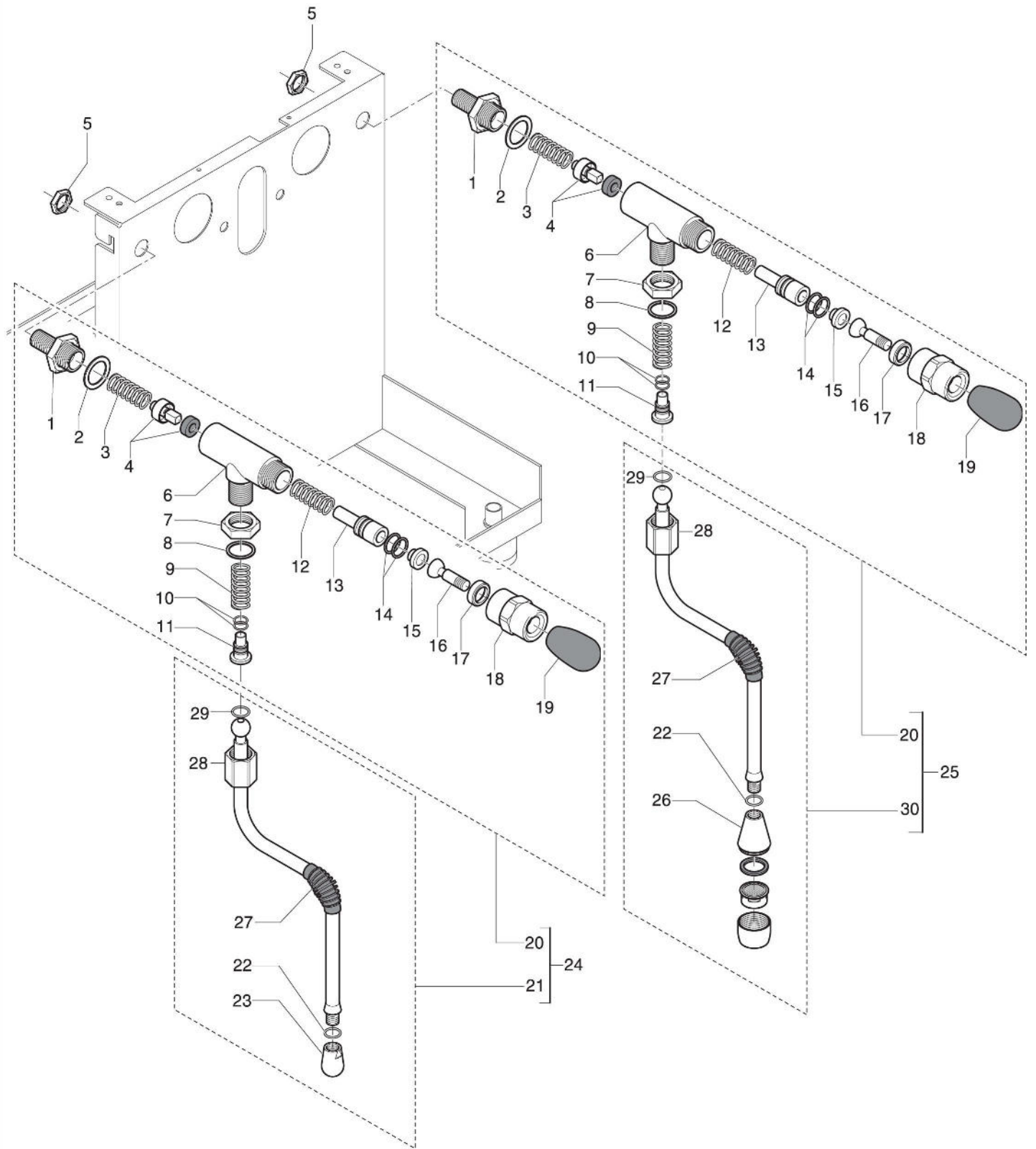
Drawing 03



Elektronika Profi II - Table 3

| Pos. | Artikelnr./ item no./ num.art. | Bezeichnung | Description | Descrizione |
|------|--------------------------------------|---|---|------------------------------------|
| 1 | P6051 | Kapillarrohr Pumpenmanometer 1m 1/8 1/8 | Capillary tube pump p. gauge 1m 1/8"-1/8" | Capillare 1m 1/8" 1/8" |
| 2 | C229900520 | Nippel 1/4" - 1/4" | Dowel 1/4"- 1/4" | Nipples 1/4" - 1/4" |
| 3 | P1904 | Rohr Kesselbefüllung | Boiler loading tube | Tube carico caldaia |
| 4 | P2045 | Kupferdichtung 3/8" f. Wärmetauscher | Copper gasket 3/8" heat exchanger | Guarnizione di rame 3/8" |
| 5 | C229900740 | Verbindungsstück Injektionsrohr | Connection injection pipe | Raccordo ritorno G1/4(3/8x3/8x1/4) |
| 6 | C229900393 | Injektionsrohr Conico | Injection pipe | Tube iniettore G1/4 X G1/8 |
| 7 | P1901 | Rohr Rücklauf Gruppe | Pipe return flow group | Tube ritorno circolazione |
| 8 | P2040 | Winkel Kessel/ Wärmetauscher 1/4" | Angle boiler/heat exchanger 1/4" | Pescante con 2cm Tube Cu |
| 9 | P1902 | Rohr Dampfentnahme | Wand steam extraction | Tube cald. rub. vapore |
| 10 | P1900 | Einlaufrohr Gruppe | Entry pipe group | Tube andata grup |
| 11 | C219900561 | Antivakuumventil | Vacuum valve long | Valvola antidepressione G1/4" E19 |
| 12 | P2049 | Kupferdichtung 1/4" | Copper gasket 1/4" | Or in rame 1/4" |
| 13 | C199901550 | Sicherheitsthermostat 135°C | Safety thermostat 135 C | Termostato riarmo 135°C |
| 14 | C229900559 | Sicherheitsventil 3/8" | Safety valve 3/8" | Valvola di sicurezza 3/8" |
| 15 | C199900839 | Füllstandssonde L: 80 mm | Fill lever probe L: 80 mm | Sonda di livello 1/B L: 80 mm |
| 19 | P1903 | Heißwasserrohr | Hot water wand | Tube prelievo acqua |
| 20 | C229900520 | Nippel 1/4" - 1/4" | Dowel 1/4"- 1/4" | Nipples 1/4" - 1/4" |
| 21 | C229900519 | Nippel 1/4" - 1/8" | Dowel 1/4" 1/8" | Nipples 1/4" - 1/8" |
| 22 | B7400902 | Kapillarrohr Kessel | Capillary tube boiler | Tube capillare X |
| 23 | C199900294 | Pressostat 0,5-1,5 bar | Pressure switch | Pressostato XP 110 |
| 24 | C229900520 | Nippel 1/4" - 1/4" | Dowel 1/4" - 1/4" | Nipples 1/4" - 1/4" |
| 25 | C229901576 | Kupferrohr Pressostat | Copper pipe gange boiler | Tube D6 pressostato |
| 26 | P9013 | Dichtung Heizung Edelstahl | Seal heater | Guarnizione resistenza |
| 27 | P7014.1 | Heizung 230V 1400W | Heating 230 V 1400W for Rota | Resistenza 230V 1400W |
| 27 | US1000 | Heizung 110V/1400W | Heating 110 V 1400W for Rota | Resistenza 110V/1400W |
| 28 | P2010 | Unterlegscheibe 0 8 | Washer 0 8 | Rondella piane A2 0 8 |
| 29 | C309900127 | Sechskantmutter M8 V2 | Hex nut M8 V2 | Dado M8 V2 |
| 30 | P7014.2 | Kessel Inox (Wärmetauscher) | Boiler Inox | Caldaia |
| 31 | P6104 | Gewindestift M8 x 16 VA Plan | Threat pin M8 x 16 VA flat | Grano M8 x 16 VA punta piana |
| 32 | P3003.1 | Kesselhalterung/ Bügel | Boiler bracket | Staffa caldaia |
| 33 | P2010 | Unterlegscheibe 0 8 | Washer 0 8 | Rondella piane A2 0 8 |
| 34 | C309900127 | Sechskantmutter M8 V2 | Hex nut M8 V2 | Dado M8 V2 |
| 35 | P6102 | Mutter M5 A2 | Nut M5 A2 | Dado M5 A2 |
| 36 | P2043 | Unterlegscheibe D5,3 | Waher D5,3 | Rondella D5,3 |
| 38 | B7432517 | Pumpenmanometer | Pump pressure gauge with ECM | Manometro pompa |
| 37 | B7432516 | Kesselmanometer | Boiler pressure gauge with ECM | Manometro caldaia |
| 39 | P7050 | Kesselisolierung | Boiler insulation | Isolazione |

Drawing 04



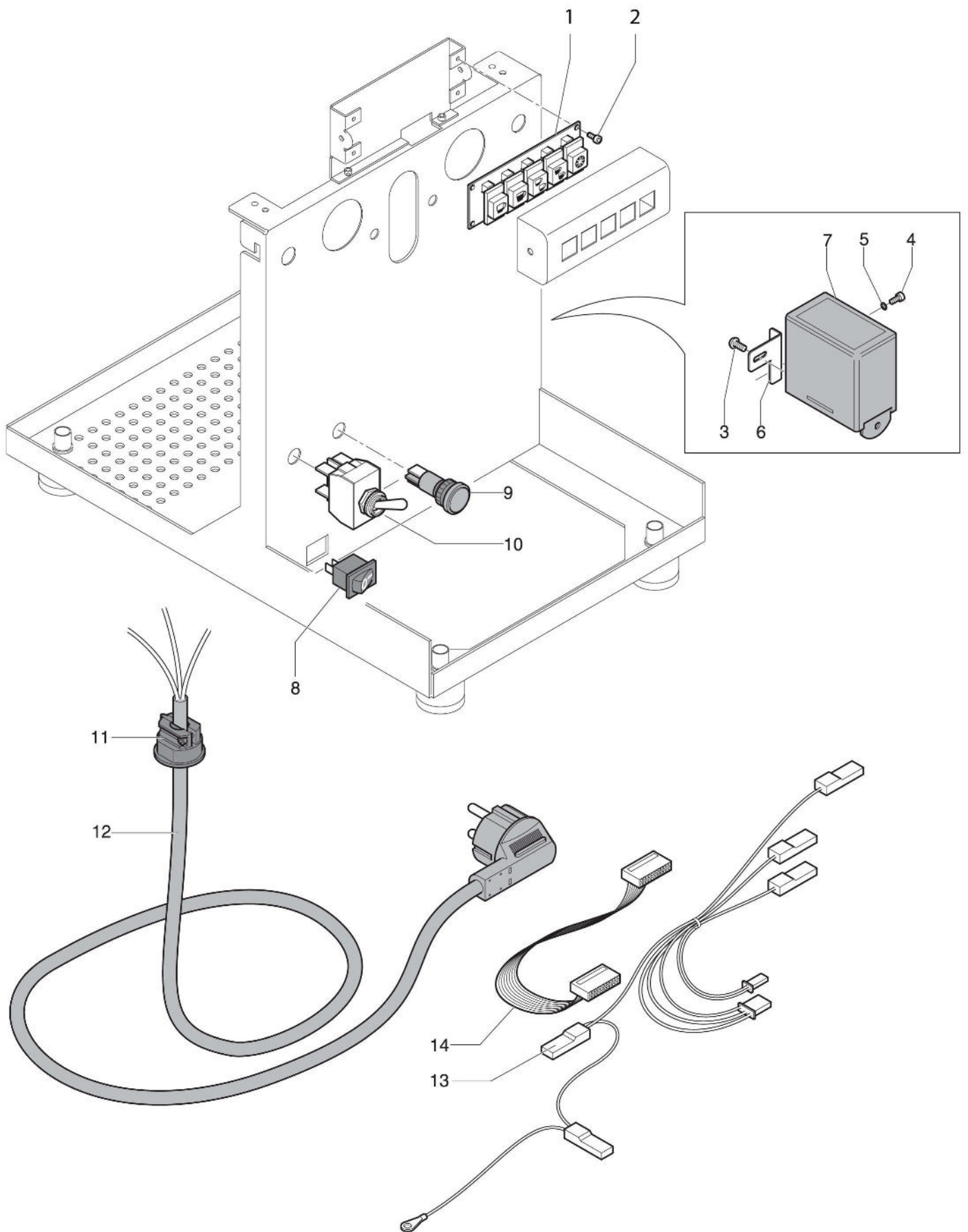
Elektronika Profi Due - Table 4

| Pos. | Artikelnr./ item no./ num.art. | Bezeichnung | Description | Descrizione |
|------|--------------------------------------|---|---|--|
| 1 | P6003.11 | Anschluss QS | Adapter QS | Adattatore rub. a leva |
| 2 | P6003.10 | Teflon Dichtung PTFE 24 x 19 x 2 | Gasket teflon PTFE 24x19x2 | Guarnizione teflon PTFE 24 x 19 x 2 |
| 3 | P6003.7 | Feder V QS | Spring V QS | Molla valv. rub. a leva |
| 4 | P6003.9 | Ventilstift für QS | Plug valve QS | Valvolina rub. a leva |
| 5 | C329900682 | Mutter (halb) 1/4" | Nut (half) 1/4" | Mezzo dado 1/4" |
| 6 | P6003.8 | Korpus QS | Corpus QS | Corpo rub. a leva cromato |
| 7 | P6003.12 | Gegenmutter QS | Counter nut QS | Controdado rub. a leva 3/8 |
| 8 | P6015 | Teflondichtung für Ventil | Teflon gasket for valve | Guarnizione teflon per rubinetto |
| 9 | P6003.13 | Feder F QS | Spring F QS | Molla per lancia acqua a leva |
| 10 | P6003.15 | Oring OR-6 7,2 x 1,9 | Gasket OR-6 7,2x1,9 | OR-6 7,2 x 1,9 |
| 11 | P6003.14 | Kugelpfanne QS | Ball pan QS | Bussola a sfera per rub.a leva |
| 12 | P6003.7 | Feder V QS | Spring V QS | Molla valv. rub. a leva |
| 13 | P6003.5 | Öffnung QS Ventil | Nozzle QS valve | Perno porta-OR/ apertura rub. a leva |
| 14 | P6003.6 | Oring 113 | OR 113 | OR 113 |
| 15 | P6003.4 | Knopf QS | Knob QS | Pastiglia inox x rub. leva c/bloc. |
| 16 | P6003.3 | Inox Hebel QS | Inox lever QS | Asta inox c/sfera att.M8 x rub.leva |
| 17 | P6003.2 | Inox-Einsatz Ring QS | Gasket inox QS | Inserto inox x dado rub. a leva |
| 18 | P6003.1 | Mutter Hebelventil QS | Nut lever valve QS | Dado x rub. a leva cromato |
| 19 | C439900840 | Brühhebelgriff M8 | Lever handle M8 | Manopola gruppo M8 |
| 20 | P6003 | Dampf/Heisswasserventil (nicht enthalten 8, 9, 10, 11, 19) | Steam/Hotwater valve (not included 8, 9, 10, 11, 19) | Rub. vapore/acq. a leva (non comprese 8, 9, 10, 11, 19) |
| 21 | P6002 | Dampfrohr für Serie IV | Steam wand for serie IV | Tubo vapore serie IV |
| 22 | P6002.1 | OR Dampfdüse | OR steam nozzle | OR per tubo vapore inox |
| 23 | P6002.4 | Dampfdüse 2-Loch | Steam nozzle 2 holes | Spruzzatore vapore 2 fori |
| 23 | P6002.6 | Dampfdüse 4-Loch | Steam nozzle 4 holes | Spruzzatore vapore 4 fori |
| 23 | P6002.3 | Dampfdüse 5-Loch | Steam nozzle 5 holes | Spruzzatore vapore 5 fori |
| 24 | P6003.KD | Dampfventil QS komplett | Steam valve QS complete | Rub. vapore a leva completo |
| 25 | P6003.KH | Heißwasserventil QS komplett | Hot water valve QS complete | Rub.acqua a leva completo |
| 26 | P6001.1 | Heißwasserauslaß komplett | Hot water discharge complete | Spruzzatore valvola acqua |
| 27 | P6002.2 | Gummiisolation Dampfhahn | Rubber insulating steam/hot water wand | Isolante tubo vapore/acqua |
| 28 | P6002.5 | Nuss Dampf-Heißwasserrohr | Nut steam-/hot water wand | Calotta tubo acqua/vapore |
| 29 | C449900719 | Unterer OR Nuss Dampf-Heißwasserrc | Lower OR nut steam-/hot water nut | OR inferiore calotta tubo acqu./vap. |
| 30 | P6001 | Heißwasserrohr für Serie IV | Hot water wand for serie IV | Tubo acqua serie IV |

Elektronika Profi II - Table 5

| Pos. | Artikelnr./ item no./ num.art. | Bezeichnung | Description | Descrizione |
|------|--------------------------------------|--|---------------------------------------|---------------------------------|
| 1 | P1000.2 | Verschraubung Brühgruppenzylinder oben | Upper fitting group cylinder | Copertura superiore cannotto |
| 2 | C469900420 | Dichtung Stopfel Gigneur | Gasket plug gigneur | Guarnizione tappo gigneur |
| 3 | C619900554 | Metallfilter Gigneur 0,8 | Inox filter 0,8 | Gigneur filter 0,8 |
| 4 | C229900549 | Gigneur 0,8 | Flow restrictor 0,8 | Gigneur 0,8 |
| 5 | P1000.3 | Brühgruppenzylinder unten | Upper sleeve assembly | Canotto gruppo |
| 6 | C469900422 | Dichtung Glocke Brühgruppe | Gasket socket brew unit | Guarnizione fungo canotto |
| 7 | P1000.1 | Glocke Brühgruppe Edelstahl | Socket group stainless steel complete | Fungo canotto inox completo |
| 8 | C100001891 | 3 Wege Magnetventil mit Kabel V230 | 3way solenoid valve V230/50-60 | 3 Vie Elettrovolvola V230/50 CE |
| 8 | US1007 | 3 Wege Magnetventil mit Kabel V110 | 3way solenoid valve V110 | 3 Vie Elettrovolvola V110 |
| 9 | P1007 | Gruppe Korpus | Brew group body | Gruppo corpo |
| 10 | C449900786 | O-Ring 2025 Viton | OR 2025 Viton 6.07x1.78 | OR 2025 Viton 6.07x1.78 |
| 11 | C309900127 | Sechskantmutter M8 V2 | Hex-nut M8 V2 | Dado M8 |
| 12 | P2011 | Unterlegscheibe offen 0,8 | Plain washer open 0,8 | Rondella grower A2 0 8 UNI1751 |
| 13 | P2010 | Unterlegscheibe 0,8 | Plain washer 0,8 | Rondella piane A2 0 8 UNI6592 |
| 14 | C309900131 | Gewindestift M8 x 31 ASTM A193 | Allen screw M8x31 ASTM a193 | Tie rod M8 x 31 ASTM A193 |
| 15 | C449900767 | Dichtung Brühgruppe am Gehäuse | Housing gasket brew group | Guarnizione gruppo/ frontalino |
| 16 | B7817004 | Schraube Zylinder M4x10 A2 | Srew cylinder M4x10 A2 | Vite TPS M4x10 |
| 17 | C309900164 | Schraube Zylinder M6x10 | Screw cylinder M6x10 | Viti TCI M6x10 |
| 18 | C469901132 | Teflondichtung 10x6x1 | Teflon gasket 10x6x1 | Guarnizione teflon 10x6x1 |
| 19 | C449900229 | Gruppendichtung H=8,0mm | Group gasket H=0,8mm | Guarnizione sottocoppa |
| 20 | P3545 | Abdeckung Gruppe | Cover brew group | Copertura gruppo |
| 21 | P6512 | Auslauf Gruppe | Discharge brew group | Scarico gruppo frangiacqua |
| 22 | C229901128 | Sprühverteiler Gruppe | Sprayer brew group | Diffusore gruppo |
| 23 | C519900103 | Duschensieb E61 | Shower screen E61 | Doccetta E61 |
| 24 | P1006 | Verschluss Gruppe | Cap brew group | Tappo camera infusione |

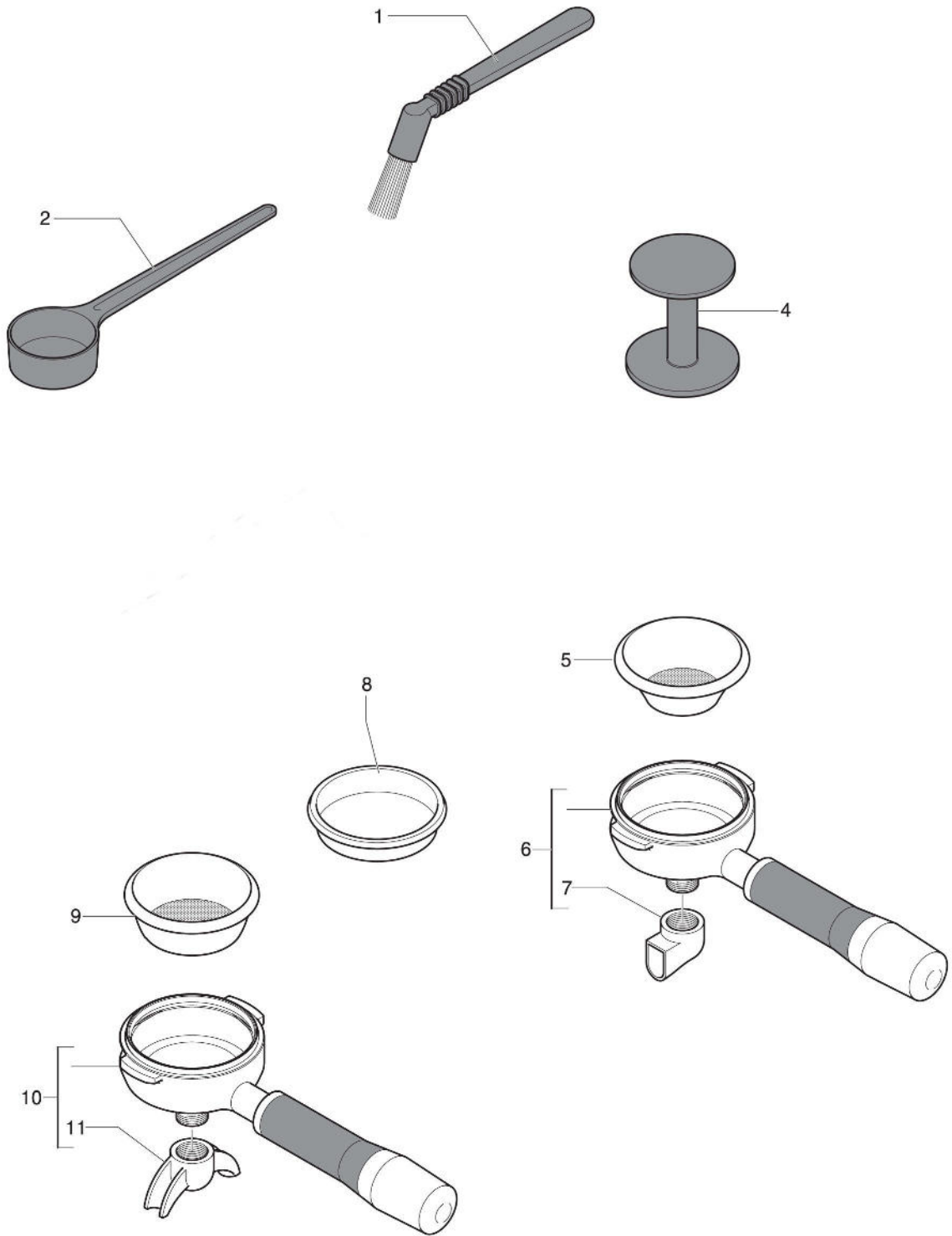
Drawing 06



Elektronika Profi II - Table 6

| Pos. | Artikelnr./ item no./ num.art. | Bezeichnung | Description | Descrizione |
|------|--------------------------------------|--------------------------------------|---|--------------------------------|
| 1 | P4006 | Tastatur für Elektronika | Keypad for Elektronika | Pulsantiera |
| 2 | P6106 | Schraube linse M3x6 A2 | Lens-head srew M3x6 A2 | Vite bombata M3x6 A2 |
| 3 | P2008 | Schraube Zylinder M5x10 | Srew cylinder M5x10 | ViteTCI M 5x10 |
| 4 | P2022 | Schraube Linse M4x10 A2 | Screw lens M4x10 A2 | Viti TCI M4x10 A2 |
| 5 | P2004 | Zahnscheibe 0,4 | Lock washer 0,4 | Rondella dent. est 0,4 |
| 6 | P3005 | Blech Halterung Elektronik | Sheetmetal holder for controlbox Elektro. | Staffa centralina Elektronik |
| 7 | P4007 | Elektronik | Controlbox | Centralina |
| 7 | US1006 | Elektronik | Controlbox | Centralina |
| 8 | P9114 | Schalter Wassert./Festwasseranschluß | Switch water tank/fixed water | Interuttore |
| 9 | B7633618 | Kontrolllampe grün 220/240V | Control lamp green 220/240V | Lampada spia verde 220/240V |
| 10 | C199900087 | Ein/Ausschalter Metall | On/off switch metal | Interuttore levetta inox |
| 11 | C439900086 | Zugentlastung/ Kabelklemme | Cable brace/cable clip | Fissacavo/morsetto |
| 12 | P2035 | UK Netzkabel 3x1,5 1,80m lang | UK power cord 3x1.5 1.80m long | UK cavo rete 3x1,5 1,80 lungo |
| 12 | P2036 | AUS Netzkabel 3x1,5 1,80m lang | AUS power cord 3x1.5 1.80m long | AUS cavo rete 3x1,5 1,80 lungo |
| 12 | P2034 | US Netzkabel 3x1,5 1,80m lang | US power cord 3x1.5 1.80m long | US cavo rete 3x1,5 1,80 lungo |
| 12 | C199900957 | Anschlusskabel Schucko | Cable connection 3x1.5 | Cavo Schuko 3x1.5 2 |
| 13 | P6053.1 | Kabelbaum Elektronika Profi II | Cable loom Elektronika Profi II | Cablaggio Elektronika Profi II |
| 14 | C199900270 | Flachbandkabel | Flat band cable | |

Drawing 07



Elektronika Profi II - Table 7

| Pos. | Artikelnr./ item no./ num.art. | Bezeichnung | Description | Descrizione |
|------|--------------------------------------|---------------------------------------|-------------------------------------|--------------------------------------|
| 1 | R210 | Reinigungspinsel für Duschensieb | Cleaning brush for shower screen | Spazzolino per doccia |
| 2 | C639900710 | Messlöffel | Measuring spoon | Misurino |
| 4 | C639900764 | Stopfer/Tamper Plastik | Tamper plastic | Pressino |
| 5 | C619900104 | Tassensieb 7g | Filter 7g | Filtro 7g |
| 6 | 89424 | Filterträger 1 Auslauf Chrom/schwarz | Filter holder 1 spout chrome/black | Portafiltro 1 beccuccio cromato/nero |
| 7 | C229900562 | Auslauf 1 Tasse | Spout 1 cup | Beccuccio RC 1 via alto cromato |
| 8 | C619900106 | Blindsieb | Blind filter | Filtro cieco |
| 9 | C619900105 | Tassensieb 14g | Filter 14g | Filtro 14g |
| 10 | 89425 | Filterträger 2 Ausläufe Chrom/schwarz | Filter holder 2 spouts chrome/black | Portafiltro 2 beccucci cromato/nero |
| 11 | C229900566 | Auslauf 2 Tassen breit | Spout 2 cups wide | Beccuccio RC 2 vie alto cromato |