

**GAGGIA**® RI8180/01  
RI8180/41-42-47 (HD8651/41-42-47)



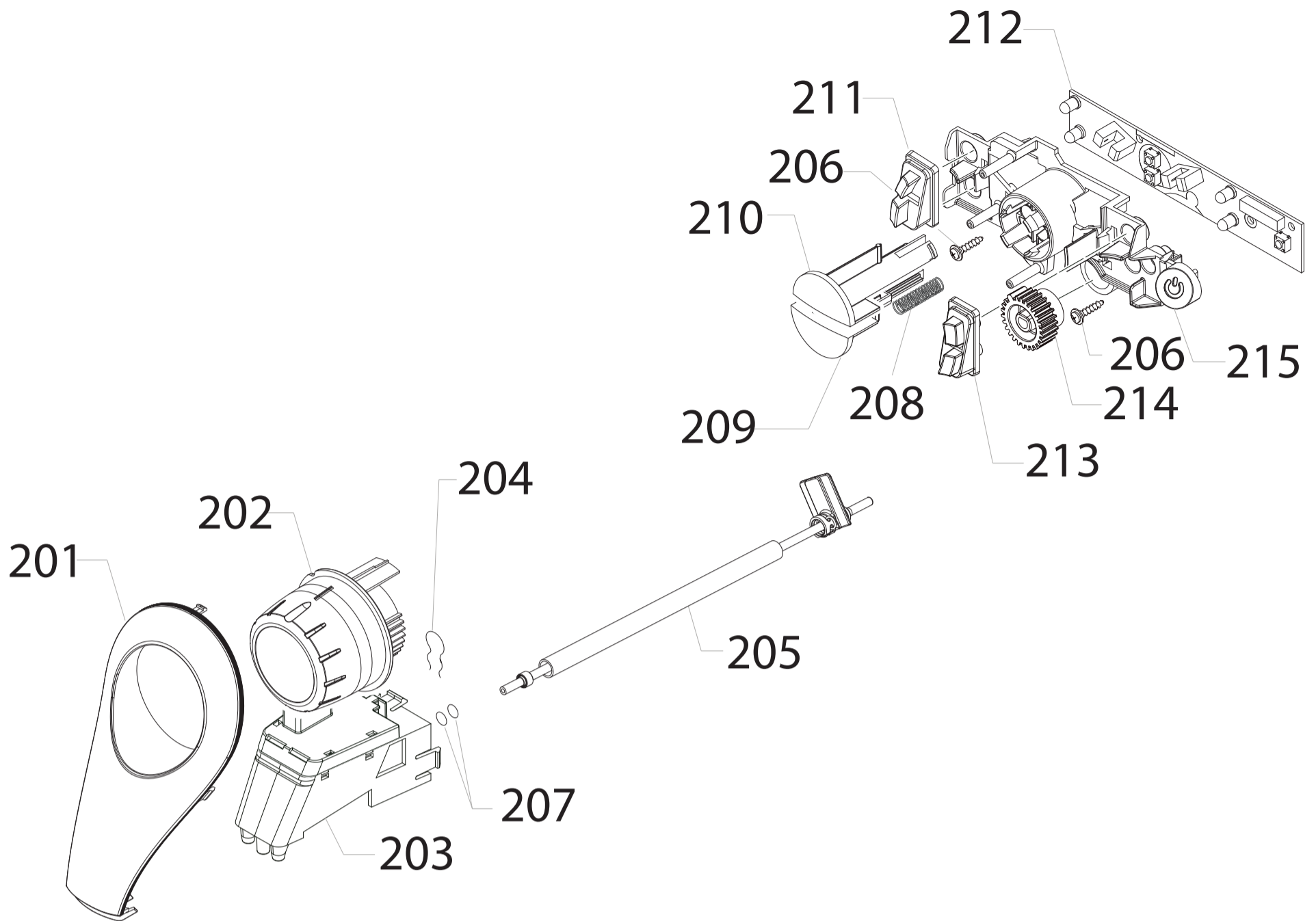
Cod.886818001010  
Cod.886818041420-886818042240-886818047540

POS	12NC	DESCRIPTION	NOTE	POS	12NC	DESCRIPTION	NOTE
101	421941307201	CPU+SW XS4 PHILIPS ASSY.	230V ⚠	135	421941308821	KIT SP.COMPONENTS WATER CONTAINERS ASSY	
	421946500711	CPU+SW BESANA BR ASSY.	220V ⚠	136	421941309621	KIT SPARES BLK DRIP TRAY XS4	
	421941307262	CPU+SW GAGGIA BESANA ASSY	120V ⚠	137	421941309631	KIT SPARES BLK WATER CONT.P0057 ASSY	
	421946500701	CPU+SW BESANA BR ASSY.	127V ⚠	138	996530006307	ADHESIVE AERSTOP SP=1,6 MM P0057	
102	996530070321	SCREW TCBR TORX 10 3,5X12 PLAST.SS		139	421944061561	BLK CASING BOTTOM V4 P0057	
103	996530002081	BLACK HINGE FOR DOOR P0057		140	996530007044	BLK CASING BOTTOM INSERT V2 P0057	
104	421946001591	BLK POWER CABLE SCHUKO L=800	⚠	141	421944022062	BLK COFFEE GRINDER PLATE V4 P0057	
	996530009627	BLK POWER CABLE BRAZIL L=1200	220V ⚠				
	996530025843	BLK POWER CABLE SJT3 USA UL L=1200	⚠				
	996530069926	BLK POWER CABLE BRAZIL L=1200	127V ⚠				
105	996530001908	BLACK GRINDER ADJUSTMENT KEY P0049					
106	996530007065	BLACK WATER CONTAINER FRONT COVER P0057					
107	421944056281	NAT/GRY WATER CONTAINER V2 P0057 ASSY					
108	996530029115	WHITE WATER CONTAINER EXT.FILTER ASSY.					
109	996530013571	OR ORM 0190-10 EPDM					
110	996530001831	SS SPRING FOR WATER CONTAIN.VALVE P0049					
111	421944040071	BLK WATER CONT.VALVE INSERT V2 P0049					
112	421944040781	BLK GASKET FOR WATER CONT.VALVE V2 P0049					
113	421944040061	BLK LID FOR WATER CONT.VALVE V2 P0049					
114	421945009141	BLK UPPER COVER CASING GAG. BESANA					
115	996530067437	BLK CAPACIT.SENSOR DEADLOCK INSERT XSM					
116	996530007087	BLACK UPPER COVER CASING CAP P0057					
117	421941306721	CPU+SW WATER LEVEL SENSOR V3 ASSY	⚠				
118	421944026341	INK LEFT SIDE COVER P0057					
119	421945008791	DISPL.BOX LIT.GAG.BESANA					
120	996530013156	SCREW TCB TORX 10 3X8 PLAST.ZN-B					
121	996530006833	3POLES CONNECTOR WATER LEVEL XSM UL	⚠				
122	421944023221	SS DRIP TRAY GRATE XS4					
123	421944032571	RED/BLK FLOAT FOR DRIP TRAY XS4					
124	421944033791	BLK DRIP TRAY XS4					
125	421944035851	NAT/GRY BEAN COF.CONTAINER LID V2 P0057					
126	996530007819	SCREW TCBR TORX 10 3,5X12 PLAST.ZN-N					
127	996530012376	FLAT WASH.DI=3,7 DE=11 SP=0,8 GALV.					
128	421946032341	MICRO.RATIOMOT/DOOR/DUMPBOX V4 P0057 ASS	⚠				
129	996530067705	KIT TYPE "A" PS-E INSERT FOR BOX P0057					
130	421941189961	IEC CONNECTOR P0057 ASSY.	230-220V ⚠				
	421941195051	IEC CONNECTOR P0057 UL ASSY.	120-127V ⚠				
131	421941210392	BLK DUMP BOX V2 P0057					
132	996530016875	TRANSPARENT SILICONE FOOT					
133	421944026331	INK DOOR P0057					
134	996530002766	16POLES CPU-USER INTERF.FLAT CABLE P0057	⚠				

**IMPORTANT REPAIR INSTRUCTIONS:** Only use genuine Gaggia spare parts to replace critical components.

The warranty of your Gaggia product is void if you do not use genuine Gaggia spare parts to repair critical components of your appliance.

The critical components are indicated with a warning triangle ⚠ in the service exploded view and/or service manual.

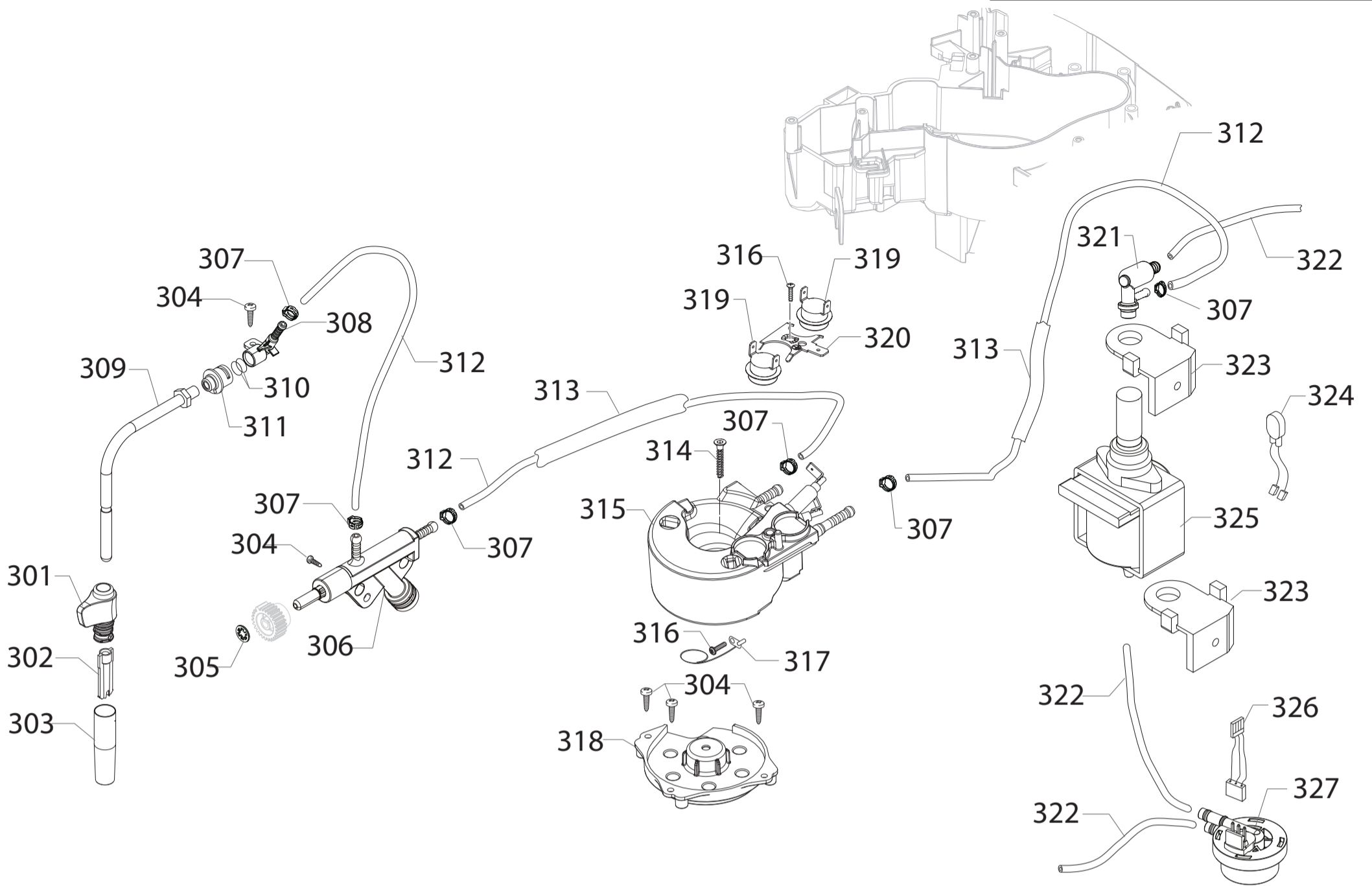


**GAGGIA**® RI8180/01  
RI8180/41-42-47 (HD8651/41-42-47)



Cod.886818001010  
Cod.886818041420-886818042240-886818047540

POS	12NC	DESCRIPTION	NOTE	POS	12NC	DESCRIPTION	NOTE
201	421945008781	BLK CONTR.KNOB COVER GAG.BESANA					
202	996530007106	BLACK CONTROL KNOB V2 N/S/SCR.P0057					
203	421944087141	BLK COFFEE DISPENSER V2 P0057 ASSY					
204	996530048885	SS FORK FOR TUBE D=4					
205	996530073357	TEFL.TUBE 2X4 L=235+PLATE+2BUSH NPR ASSY					
206	996530007819	SCREW TCBR TORX 10 3,5X12 PLAST.ZN-N					
207	996530013564	OR 2015 SILICONE PTFE/FDA					
208	996530005133	SS DOOR LOCK SPRING G0053					
209	421944033971	BLK COF.BUTTON S/SC.BIG CUP V2 XS4/B					
210	421944033941	BLK COF.BUTTON S/SC.SMALL CUP V2 XS4/B					
211	996530007046	TRANSP.LEFT GUIDE LIGHT V2 P0057					
212	421941306641	KYB BOARD XS4/B	⚠				
213	996530006584	TRANSP/PMMA RIGHT GUIDE LIGHT P0057					
214	421944086361	WHT STEAM/WATER GEAR Z=26 V2 P0057					
215	421944026031	TRANSP.TOUCH PANEL S/SCR.XS4					

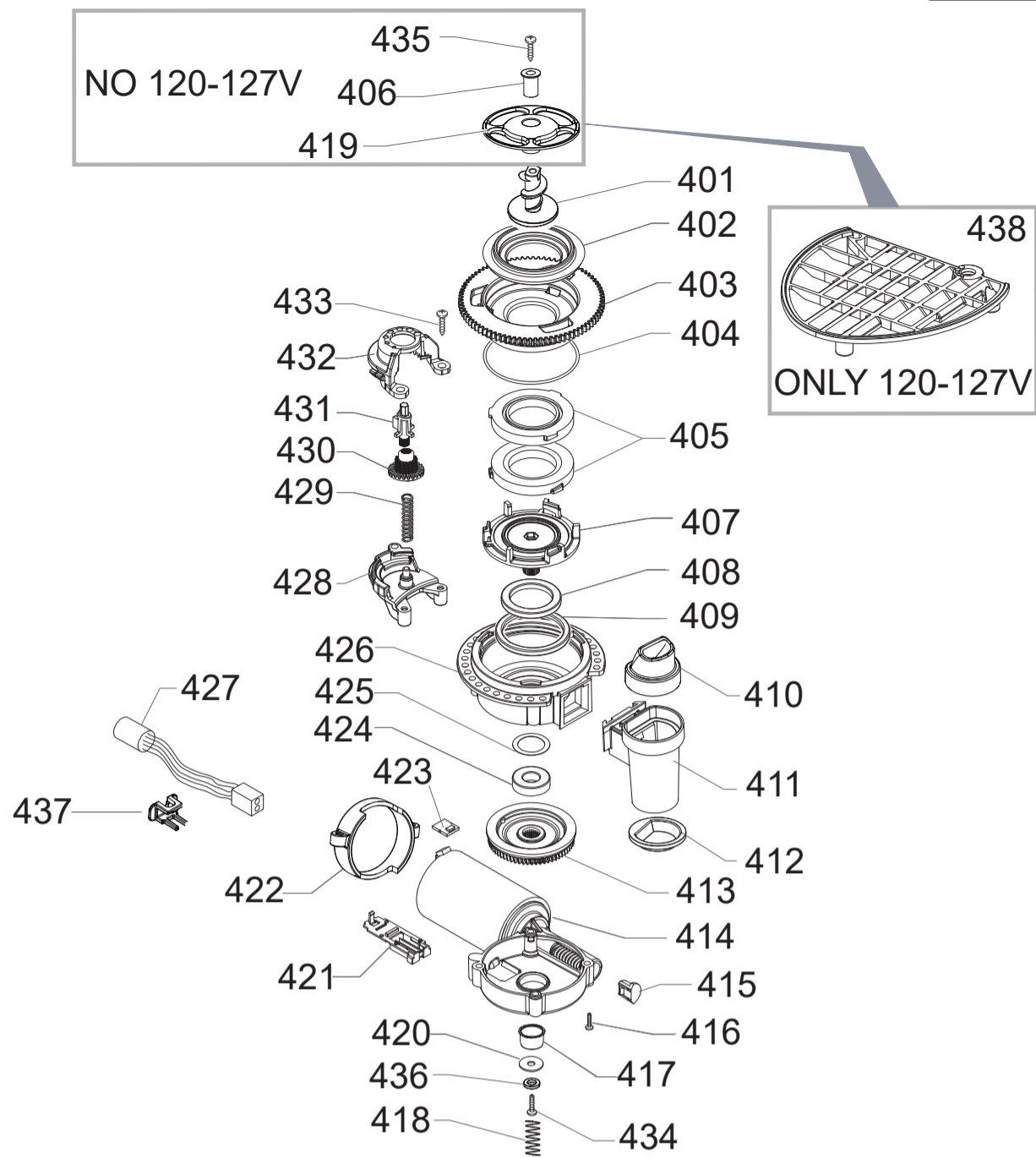


**GAGGIA**® RI8180/01  
RI8180/41-42-47 (HD8651/41-42-47)



Cod.886818001010  
Cod.886818041420-886818042240-886818047540

POS	12NC	DESCRIPTION	NOTE	POS	12NC	DESCRIPTION	NOTE
301	421941300671	BLK/SIL.STEAM TUBE HANDGRIP G0053					
302	421944085601	BLACK PANNARELLO INTERNAL TUBE V2 P0049					
303	421944085161	BLACK PANNARELLO COVER V2 P0049					
304	996530007819	SCREW TCB TORX 10 3,5X12 PLAST.ZN-N					
305	996530012336	ELASTIC WASHER FOR SHAFT D=6MM					
306	996530006383	FLOW SELECTOR FAUCET V2 P0057					
307	996530007742	OETIKER CLAMP D=9,5 15400022					
308	421944028161	STEAM TUBE SUPPORT PPS P0057					
309	996530006576	TF/CHROM.STEAM TUBE V2 P0057 ASSY.	230V				
	421945004881	SS STEAM TUBE XS4/H V2 ASSY	120-127-220V				
310	996530013509	OR ORM 0060-20 TERMOIL					
311	996530005979	BLACK PA6 BUSH FOR STEAM TUBE P0057	230V				
	421945006061	BLK PA6 BUSH FOR STEAM TUBE XS4/H V2	120-127-220V				
312	996530009505	5X8,9 SILICONE TUBE					
313	996530009523	TRANSPAR.11X12,8 SILICONE TUBE					
314	996530008024	SCREW TSP TORX 10 5X20 PLAST.ZN-B					
315	421944024121	TUB.BOILER XS4 ASSY.	220-230V ⚠				
	421944046121	TUB.BOILER XS4 ASSY.	120-127V ⚠				
316	996530069758	SCREW TCB TORX 20 M4X8 AUTOFORMING ZN-B					
317	996530026997	TEMPERATURE SENSOR NTC UL L=280MM					
318	421941215942	BLK SLIM/EXSL TUB.BOILER SUPPORT V2					
319	262279998757	THERMOSTAT OPEN/CLOSE 190/-35DEGC B	⚠				
320	996530000997	TUB.BOILER V3 UPPER THERM.FIXING SPRING					
321	996530068178	L-F/BR.SAFETY VALVE 16-18 BAR ASSY.					
322	996530002093	S/TUBE 5X10 60SH L=1 METRE					
323	996530018056	BLACK TYPE ULKA PUMP W/BEVEL SUPPORT					
324	996530005496	2POLES CONNECTOR PUMP P0057 UL	⚠				
325	421941305991	ULKA PUMP EP5FMGW	230V-50HZ ⚠				
	996530007782	ULKA PUMP EP5/S GW	220V-60HZ ⚠				
	996530007754	ULKA PUMP EAP5/S 120V-60HZ	120/7V-60HZ ⚠				
326	996530003241	3POLES CONNECTOR FLOWMETER P0057	⚠				
327	996530059843	TURBINE D=1,2 932-8521/00 ASSY.	⚠				
	421946034321	GEN.TUB.BOILER V2 XS4 ASSY.	220-230V ⚠				
	421944069101	GEN.TUB.BOILER V2 XS4 ASSY	120-127V ⚠				

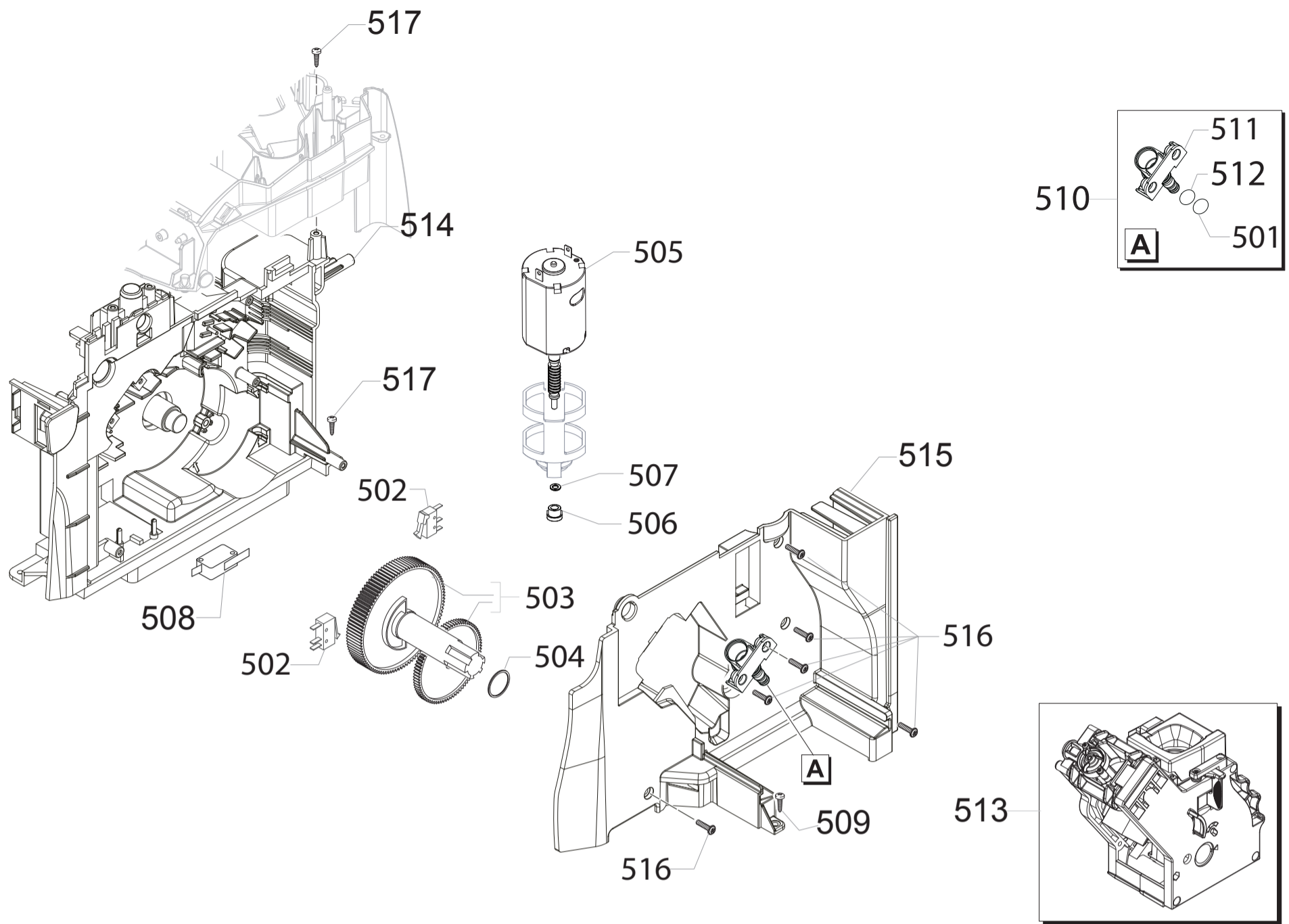


**GAGGIA**® RI8180/01  
RI8180/41-42-47 (HD8651/41-42-47)



Cod.886818001010  
Cod.886818041420-886818042240-886818047540

POS	12NC	DESCRIPTION	NOTE	POS	12NC	DESCRIPTION	NOTE
401	996530005586	TEA/ZAMA INCREASE SCREW GRINDER					
402	421941085872	COFFEE GRINDER SEAL P119 GRY 7035					
403	421941094152	BLK COF.GRINDER UPPER GRINDER SUPPORT V2					
404	996530013577	OR ORM 0530-15 NBR FDA					
405	996530016342	BAKED CLAY GRINDER 48X28					
406	996530006412	BRASS BUSH BEAN CONT.FINGER PROTEC.P0057					
407	996530017952	BLK LOWER COFFEEGRINDER GRINDER SUPPORT					
408	996530011183	AXIAL BEARING EKKO 342.35252					
409	996530013597	FELT RING 45,4X39,4X4					
410	996530003441	BLACK BREW UNIT CONDENSE CONVEYOR P0057					
411	996530068049	BLK GROUND COFF.OUTLET CONVEYOR V4 ASSY.					
412	996530072511	GRY GROUND COFFEE CONT.LOWER SEALSMART1					
413	996530029609	GEAR SX Z=38 FOR GRINDER MOTION ASSY.					
414	996530000317	MOTOR COFFEEGRINDER V3.1 ASSY.	220-230V ⚠				
	996530000315	MOTOR COFFEEGRINDER V3.1 ASSY	120-127V ⚠				
415	996530018139	MC V3 MOD=1,25 WORM SCREW CENTRING CAP					
416	996530012992	SCREW TCB TORX 3,5X30 PLAST.ZN-B					
417	996530001389	INSULATOR BUSH FOR GRINDER MOTOR P124					
418	996530000376	STEEL COF.GRINDER SUPPORT SPRING P124					
419	996530006334	BLACK BEAN CONTAIN.FINGER PROTECT.P0057					
420	996530012375	STEEL FLAT WASHER DI=4,3 DE=14 SP=1,5					
421	996530017963	BLK SENSOR SUPPORT FOR COF.GRINDER MOTOR					
422	421941142172	BLK COFFEEGRINDER MOTOR SUPP.P124 V2					
423	996530022784	ELECTR.BOARD WITH SENSOR HAL506 SF-K					
424	996530011182	RADIAL BEARING 61900.2RS1					
425	996530012374	STEEL CRINKLE WASHER 21,8X14X0,25					
426	996530015258	BLK UPPER BODY WITH COFFEE GROUND OUTLET					
427	421946000091	3 POLES CONNECTOR MC SENSOR S0053 UL	⚠				
428	996530001314	LOWER COFFEEGRINDER GEAR SUPPORT P124					
429	996530001308	COFFEEGRINDER REGULATION SPRING P124					
430	996530001907	COFFEE GRINDING ADJUSTMENT GEAR P0049					
431	421944025161	YLW BEAN COFFEE GRINDER INSERT SMR					
432	996530001296	UPPER COFFEEGRINDER GEAR SUPPORT P124					
433	996530013165	SCREW TCB TORX 10 3,5X16 PLAST.ZN-B					
434	996530012928	SCREW TCB TORX 20 M4X30 ZN-B					
435	996530061808	ZN-B TCB SCREW M4X16					
436	996530012341	GALV.WASHER UNI 8842 A4					
437	996530072477	BLK WIRING FIX INSERT FOR GRINDER BOARD					
438	421944048511	TRANSP.BEAN CONTAINER PROTECT.V2 P0057	120-127V				
	996530003327	GEN.MOTOR COF.GRINDER STD P0057 ASSY	220-230V ⚠				
	996530006587	GEN.MOTOR COFF.GRINDER P0057 120V ASSY.	120-127V ⚠				

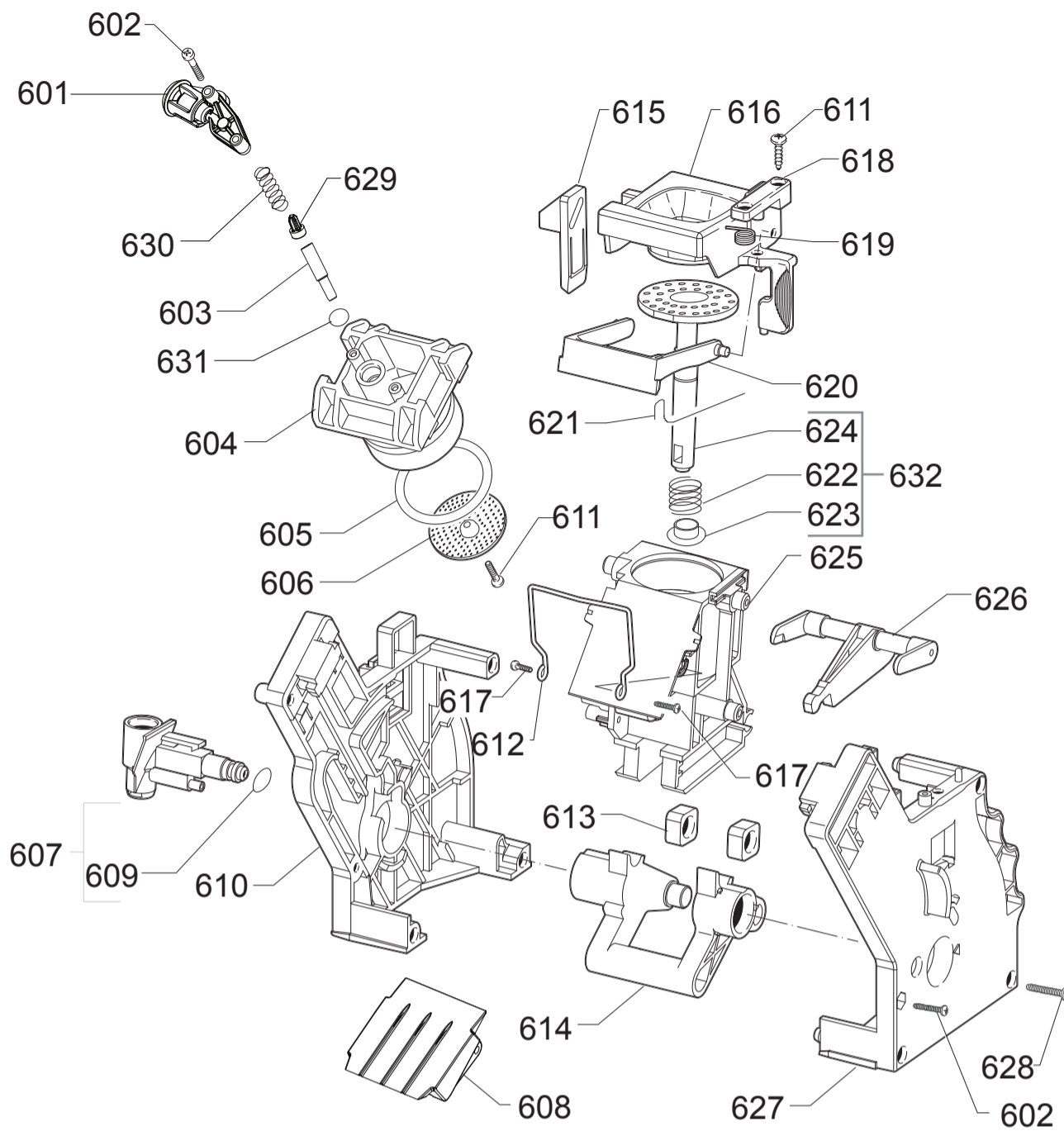


**GAGGIA**® RI8180/01  
RI8180/41-42-47 (HD8651/41-42-47)



Cod.886818001010  
Cod.886818041420-886818042240-886818047540

POS	12NC	DESCRIPTION	NOTE	POS	12NC	DESCRIPTION	NOTE
501	996530059419	OR ORM 0050-20 IN SILICONE					
502	421946046471	MICROSWITCH RATIOMOTOR V6 P0057 UL ASSY.	⚠				
503	996530009913	SPARES KIT GEARS FOR RATIOMOTOR V2					
504	996530050569	MYLAR WASHER FOR RATIOMOTOR					
505	996530002796	MOTOR FOR RATIOMOTOR P124 ASSY.	⚠				
506	996530049898	BRONZE SINTERED BUSH FOR MOTOR RATIOMOT.					
507	996530017424	BAKELIZZATE WASHER D=5,5					
508	421946032341	MICRO.RATIOMOT/DOOR/DUMPBOX V4 P0057 ASS	⚠				
509	996530070321	SCREW TCBR TORX 10 3,5X12 PLAST.SS					
510	421944060181	PIN FOR FLOW SEL.FAUCET V2 PPS P0057 AS					
511	421944059371	PIN FOR FLOW SELECT.FAUCET PPS V2 P0057					
512	996530059399	OR ORM 0090-20 SILICONE					
513	421944092331	BLK/YLW BREW UNIT 8GR.5BAR FTR/B V3					
514	421941278153	BLK RATIOMOTOR MOUNTING PLATE V3 XSMC AS	220-230V				
	421944048301	BLK RATIOMOTOR MOUNTING PLATE XSMC UL AS	120-127V				
515	996530001899	BLK RATIOMOT.MOUNTING PLATE COVER P0057	220-230V				
	421944048321	BLK RATIOMOT.MOUNT.PLATE COVER P0057 UL	120-127V				
516	421944016761	SCREW TCBR TORX 10 3 5X12 PLAST.ZN-NI					
517	996530007819	SCREW TCBR TORX 10 3 5X12 PLAST.ZN-N					



**GAGGIA®** RI8180/01  
RI8180/41-42-47 (HD8651/41-42-47)



Cod.886818001010  
Cod.886818041420-886818042240-886818047540

POS	12NC	DESCRIPTION	NOTE	POS	12NC	DESCRIPTION	NOTE
601	421944065222	BLK BREW UNIT COF.OUTLET SLEEVE SMR ASSY					
602	996530007838	SCREW TCB TORX 10 3X25 PLAST.SS					
603	421944079291	BLK BREW UN.COUNTER PISTON TUBE V2 S0053					
604	421944079991	BLK BREW UNIT 8GR.COUNTER PISTON V2 P124					
605	996530059406	OR ORM 0320-40 SILICONE PTFE/FDA					
606	996530050709	PERCOLATOR DE=35,8 ELFO					
607	421944050641	BREW UN.WATER INLET SLEEVE V2 SMR					
608	421944079341	BLK BREW UNIT CONVEYOR SLIDE L=56,3 V2					
609	996530059441	OR 2025 IN TERMOIL					
610	996530050832	BLACK BREW UNIT REAR PLATE SMART					
611	996530007951	SCREW TSP TORX 10 3X10 PLAST.SS					
612	421944025811	SS BREW UNIT SPRING H=49 PK					
613	996530050539	BLACK BREW UNIT DRILLED BLOCK					
614	421944079201	YLW BREW UNIT ELBOW SHAFT V2 M5000					
615	421944046932	YLW BREW UNIT COUPLING PLATE V3 SMART					
616	996530018241	BLACK HOPPER DOSER BREW UNIT SMART1					
617	996530013148	SCREW TCBR TORX 10 3,5X14 PLAST.SS					
618	996530050829	BLACK HOPPER BLOCKING PLATE UNIT SMART					
619	996530050838	SS HOPPER SPRING FOR BREW UNIT SMART					
620	421944079261	BLK BREW UNIT SCRAPER V2 M5000					
621	996530050455	SS SCRAPER SPRING FOR BREW UNIT					
622	996530050627	SS.8GR.BREW UNIT PISTON SPRING					
623	996530050618	WHITE 8GR.-12GR.BREW UNIT PISTON BUSH					
624	421944079491	GRY BREW UNIT INTEGR.PISTON 8GR.V4 ASSY					
625	421944079431	BLK COF.CONTAIN.BREW UNIT V4 M5000 ASSY					
626	996530001452	BLACK CONNECTING ROD BREW UNIT 8GR.					
627	996530003228	BLACK BREW UNIT FRONT PLATE S/SCR.SMART					
628	996530007953	SCREW TCB TORX 10 3,5X20 PLAST.SS					
629	421944081491	BREW UNIT VALVE FTR/B					
630	996530050657	SS.CONICAL SPRING					
631	996530013575	OR ORM 0060-15 TERMOIL					
632	421944065811	GRY BREW UNIT 8GR.INT.PISTON GEN.V3 ASS					
	421944092331	BLK/YLW BREW UNIT 8GR.5BAR FTR/B V3					