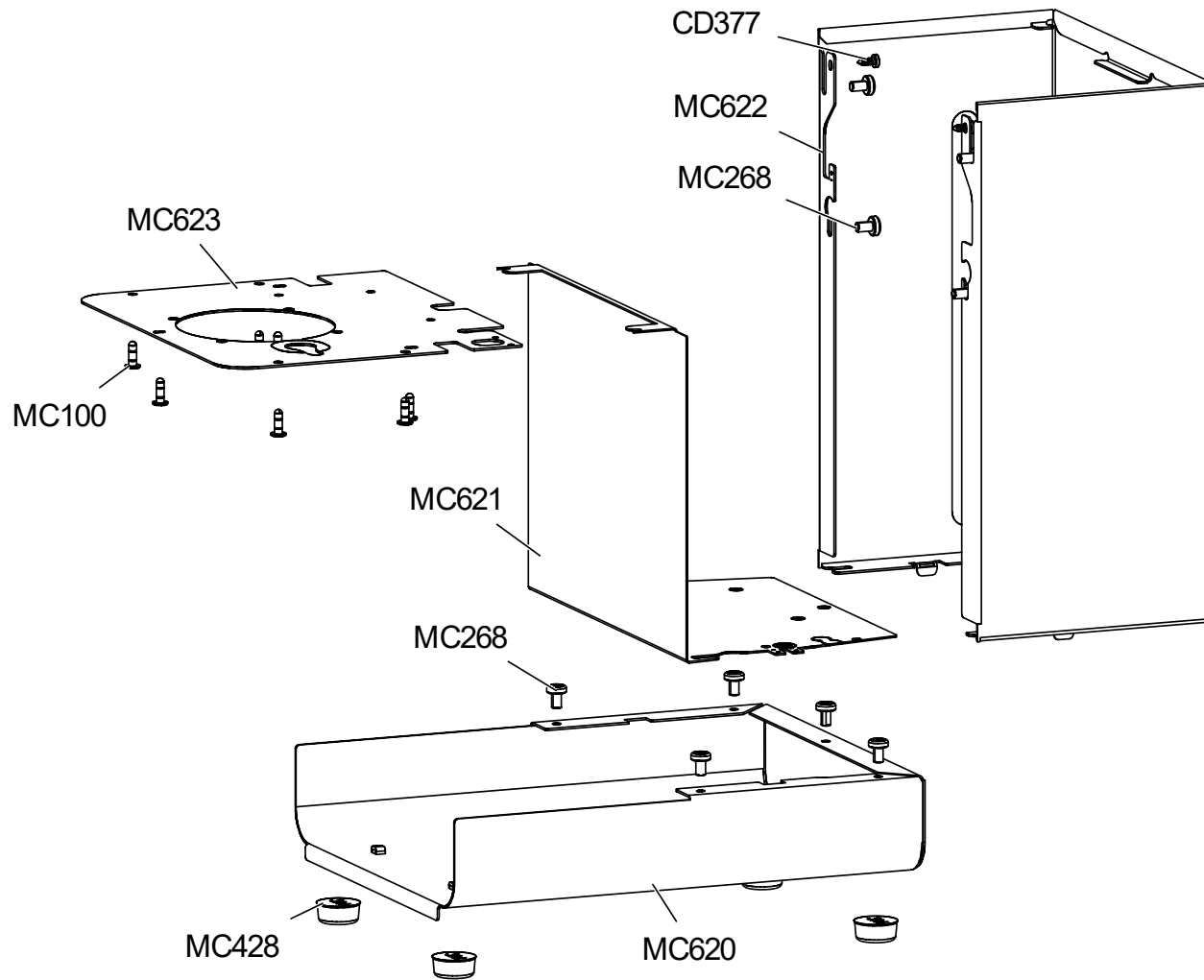


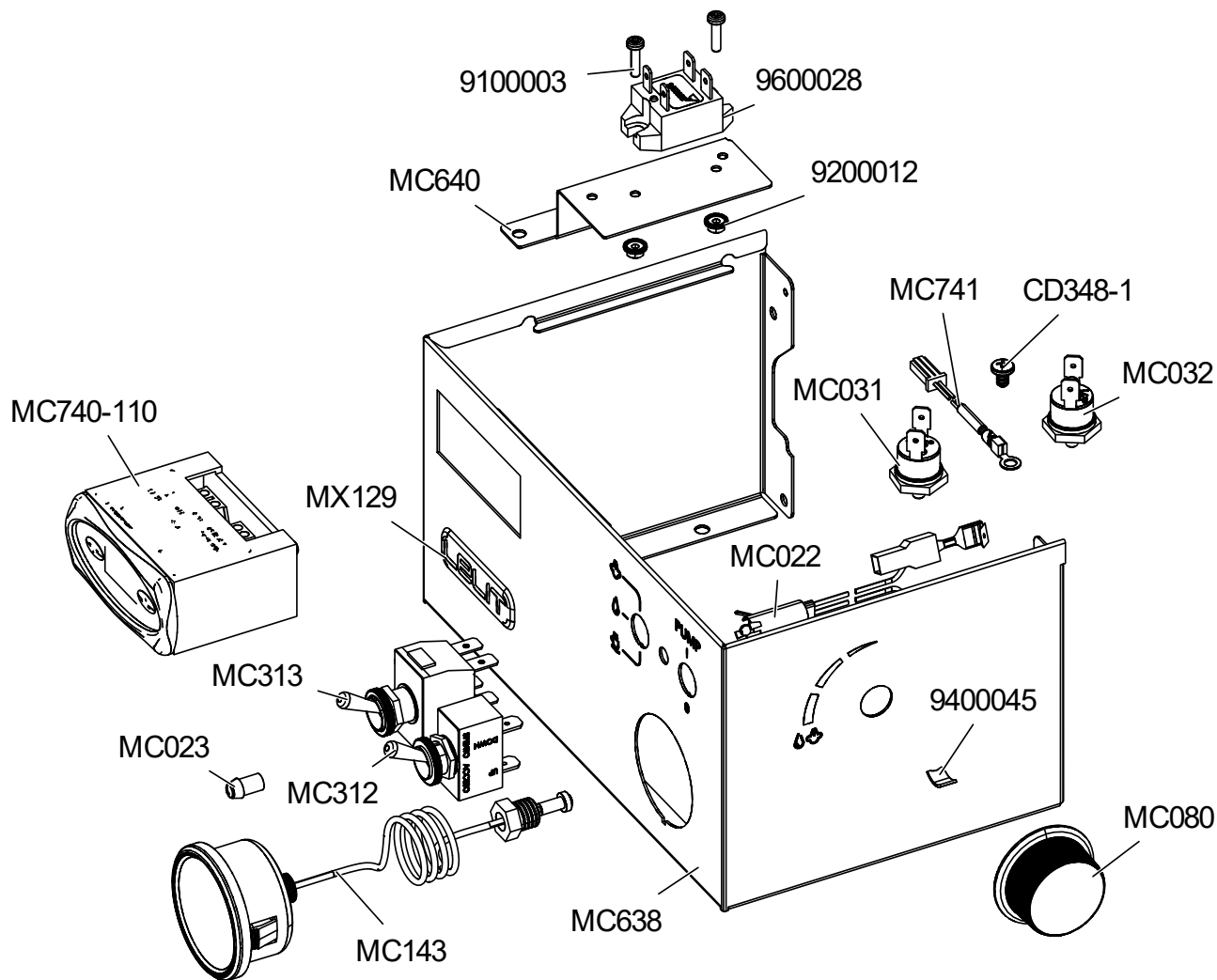
Anna
PL41TEM/110

Technical Documentation

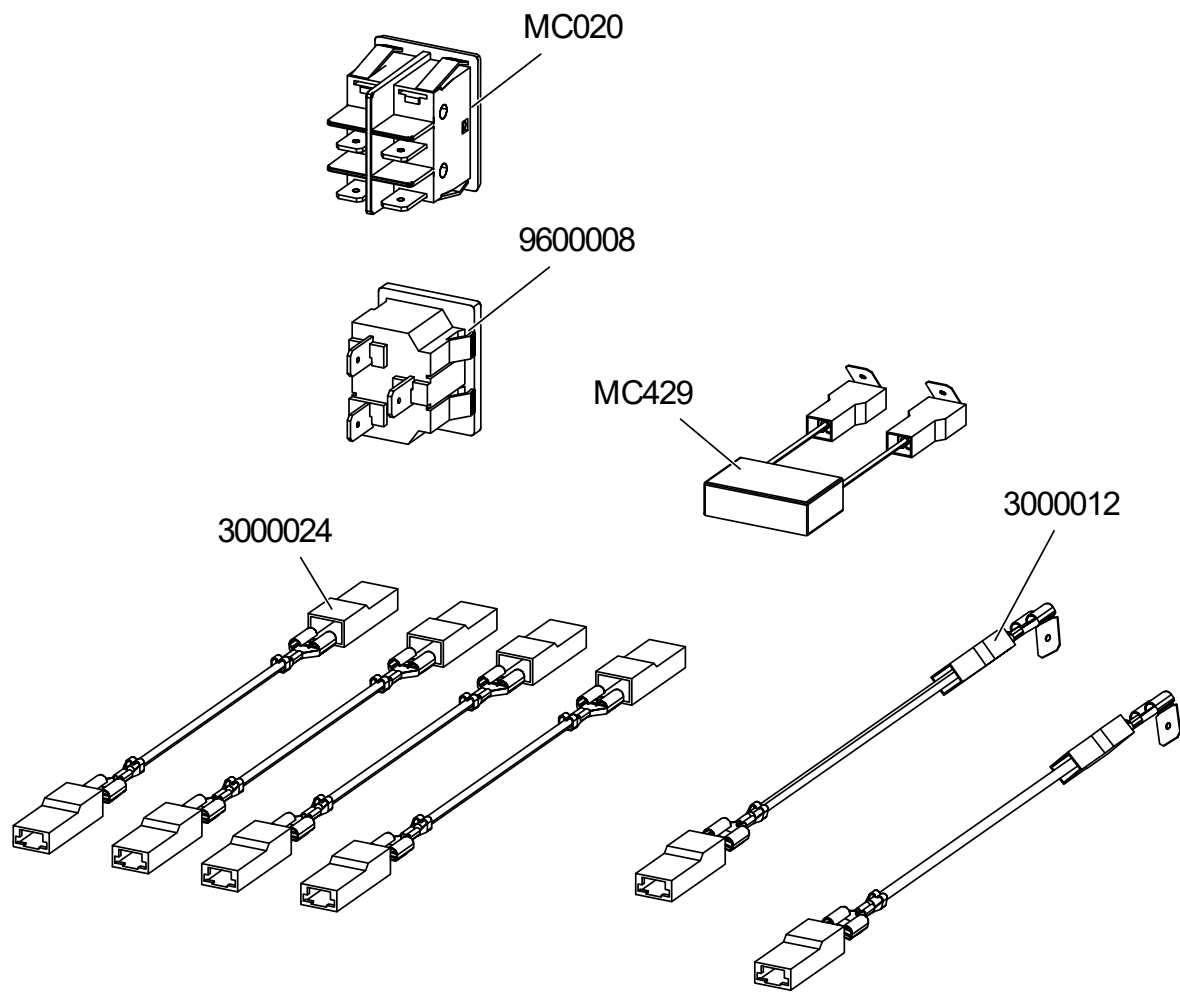
COD. 5200095TC



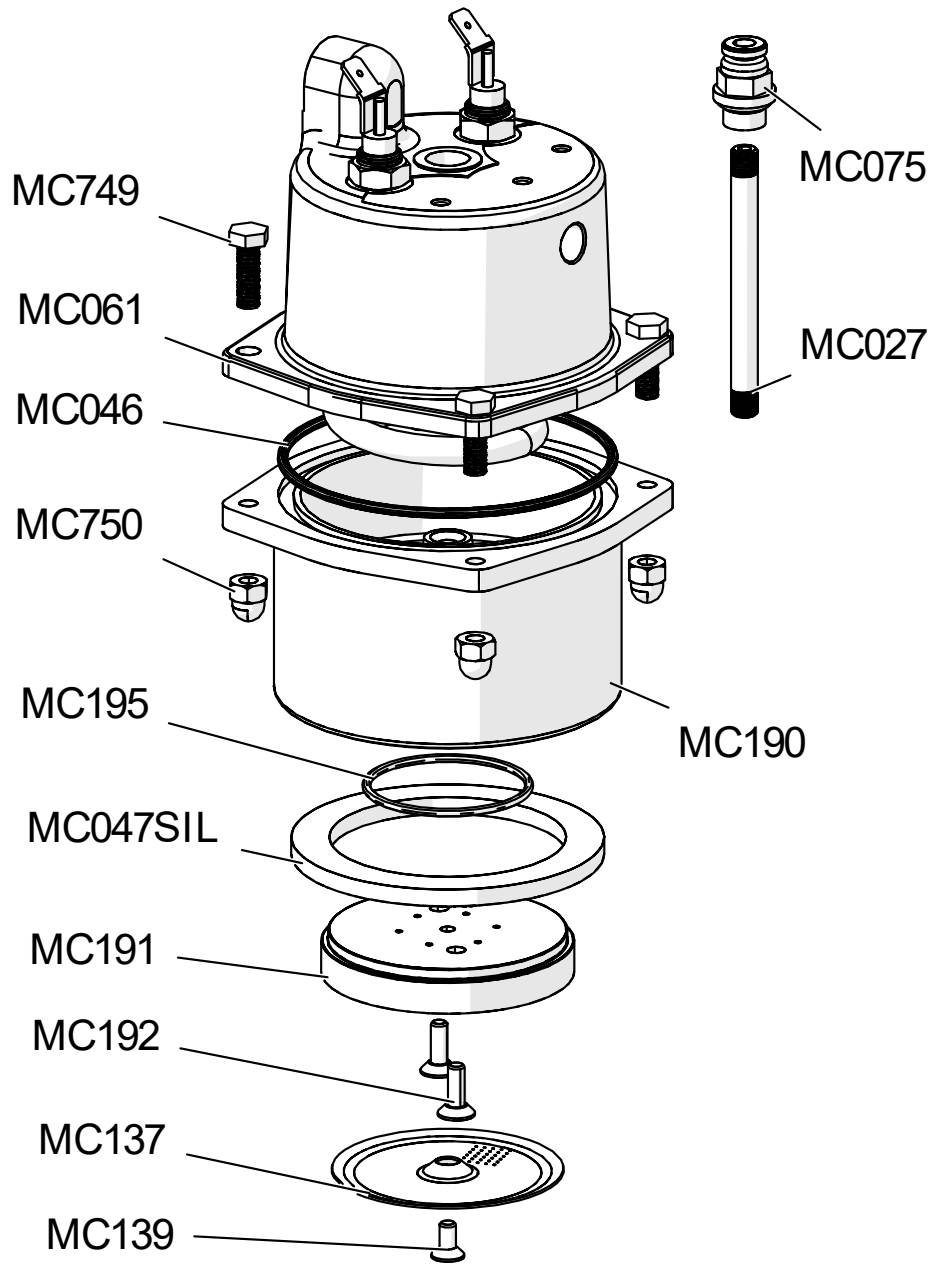
CODE	DESCRIPTION
CD377	SCREW 3,5x9,5
MC100	RIVET FOR FEET FOR 040/041
MC268	SCREW M5x8
MC428	STICKY FEET BLACK 22.3MMX10.1
MC620	APPLIANCE BODY BASE FOR PL41
MC621	TANK BASE FOR PL41
MC622	BACK APPLIANCE BODY FOR PL41
MC623	BASE PLAQUE FOR PL41



CODE	DESCRIPTION
9100003	SCREW TCBIC M3x12 UNI7687 4.8 (zb)
9200012	NUT M3 DIN6923 ZB INOX
9400045	KNOB SUPPORT 6,8-11,3-0,4
9600028	RELE' 9-18V
CD348/1	SCREW FOR BULB THERMOSTAT TC 7.7+01 4x6 7985
MC022	LED
MC023	ORANGE LED COVER
MC031	BIMETALLIC THERMOSTAT 125° 261 FOR 040/041
MC032	MANUAL REARM BIMETALLIC THERMOSTAT165°
MC080	KNOB FOR ART.040/041
MC143	BULB MANOMETER
MC312	UNIPOLAR METALLIC ON-OFF LEVER SWITCH
MC313	BIPOLAR METALLIC ON-OFF-ON LEVER SWITCH
MC638	FRONT PANEL FOR PL41TEM
MC640	PLAQUE FOR FIXING THE STATIC RELE F/PL41TEM WITHOUT PROTECTION
MC740/110	PID F/COFFEE MACHINES 110V - CHROMED FRAME
MC741	NTC PROBE W/AMP CONNECTOR L=290
MX129	LELIT LOGO STICKER 50x16

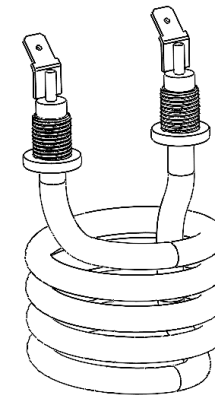


CODE	DESCRIPTION
9600008	IEC PANEL SOCKET 10A250V 2P+T. F.F.6.3X0.8
3000012	WIRING FOR IEC ON/OFF PL41TEM
3000024	WIRING RELE' PL41TEM
MC020	RED LED BIPOLAR SWITCH
MC429	ANTI-DISTURB FILTER



CODE	DESCRIPTION
ASS.MC190-120	BOILER 120V
MC027	INJECTION PIPE
MC029-110	COPPER HEATING ELEMENT 120V
MC045	O-RING 9x2
MC046	OR 3275 Diam.i 69,52 - t 2,62 SILICONE 70 sh ±5
MC047SIL	SILICONE BREWING GROUP GASKET
MC061	UPPER PART BOILER LELIT57
MC075	QUICK RELEASE JOINT
MC137	SHOWER FILTER Diam.52
MC139	SCREW M4x8 DIN965 TORX T20
MC190	LOWER PART BOILER LELIT57
MC191	DIFFUSER
MC192	SCREW M4x12 DIN965 TORX T20
MC195	SILICONE GASKET
MC749	SCREW M5x16 UNI EN 4017
MC750	BLIND NUT M5 F/BOILER

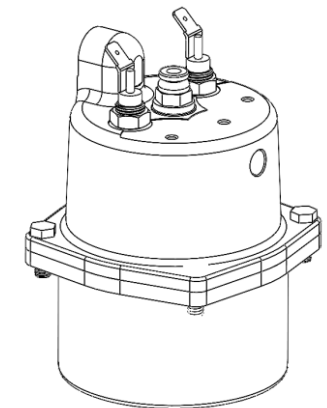
MC029-110



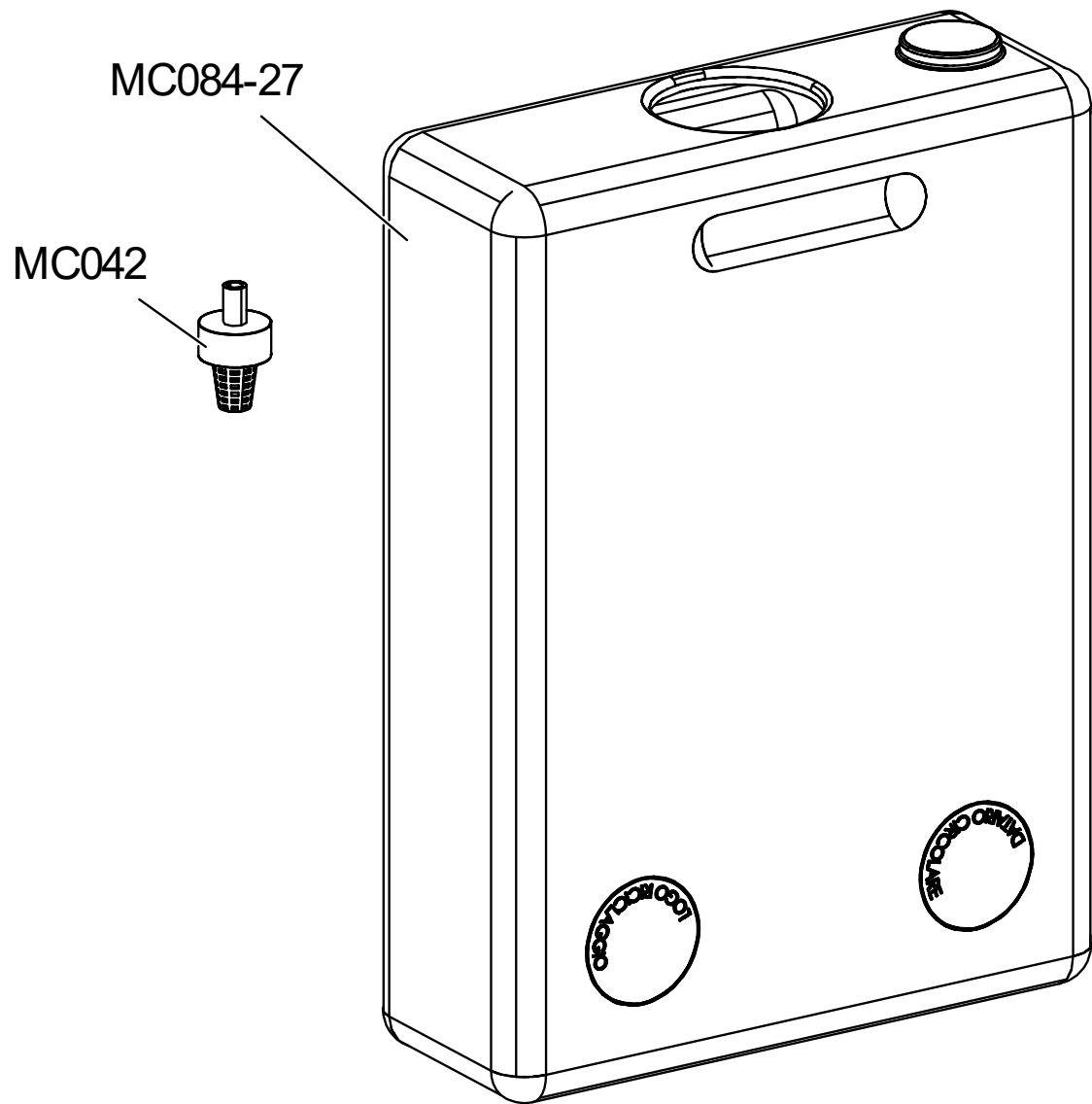
MC045 MC045

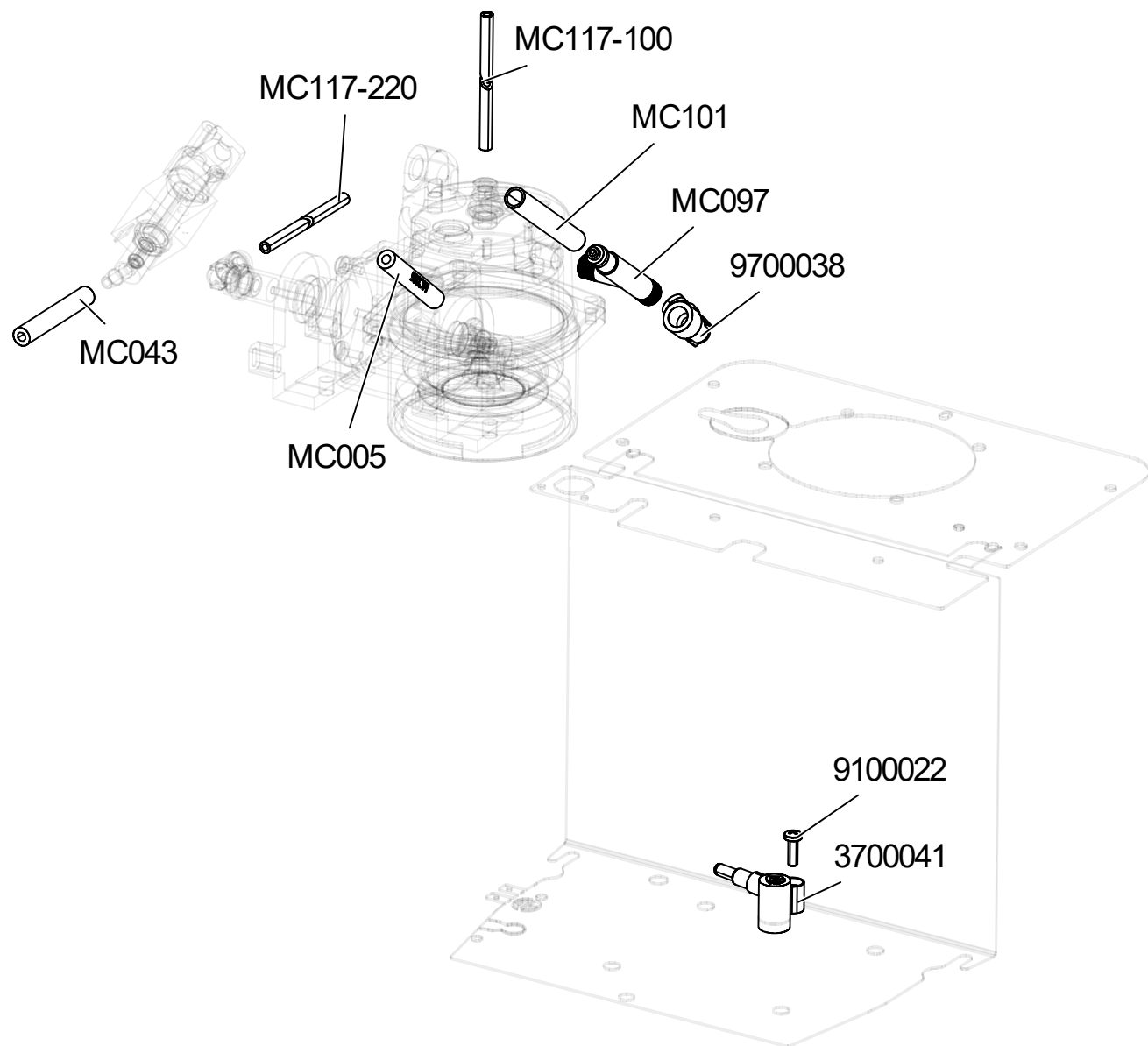


ASS.MC190-120

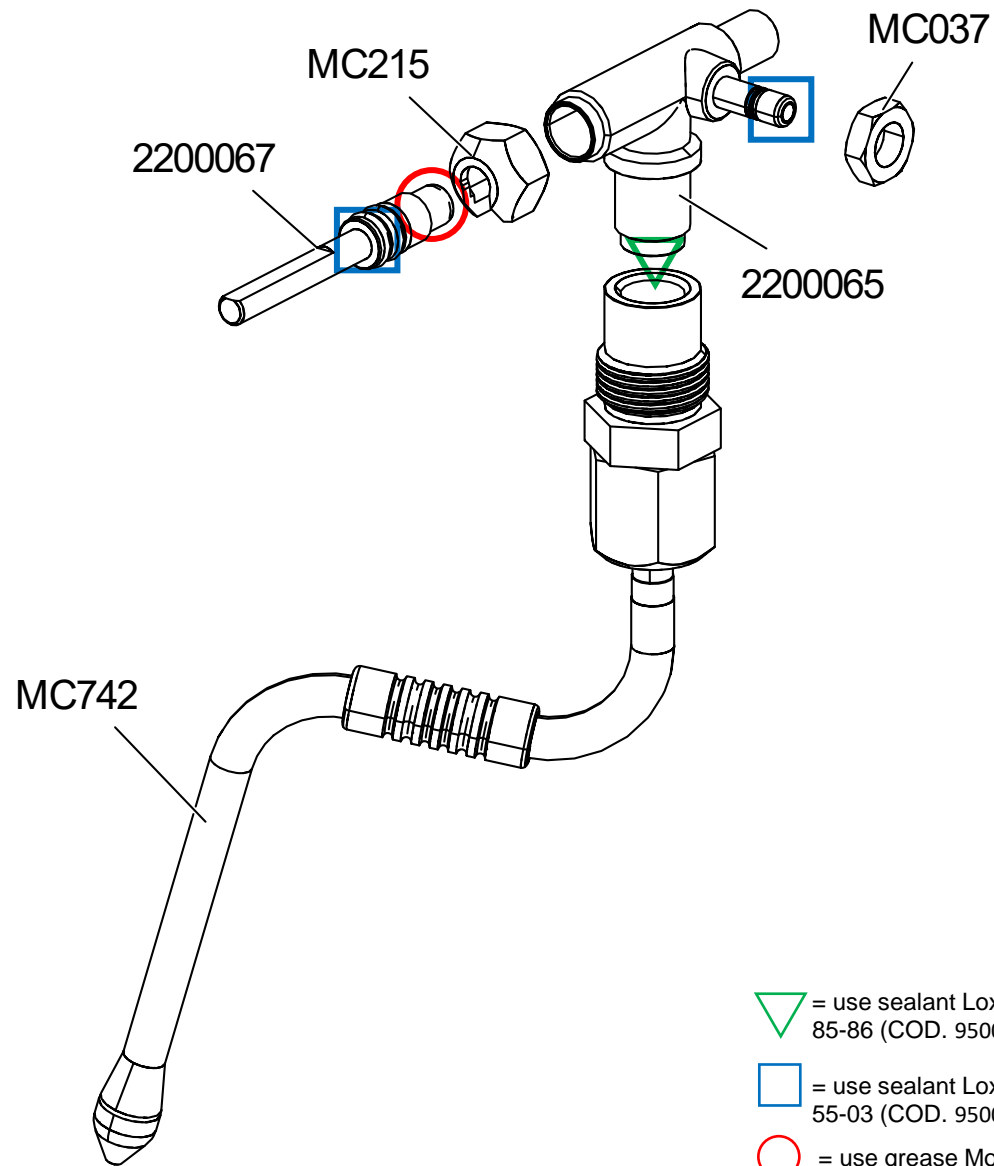


CODE	DESCRIPTION
MC084/27	WATER TANK 2,7lt
MC042	WATER FILTER





CODE	DESCRIPTION
3700041	PIPETTE
9100022	SCREW 4Mx6
9700038	L JOINT F1/8 QUICK CONNECTION Diam.5
MC005	SILICONE HOSE 4X8 L42CM
MC043	SILICONE HOSE 4X8 L25CM
MC097	OVERPRESSURE VALVE
MC101	SILICONE HOSE 6X9 40CM
MC117-100	PTFE TUBE Diam.e5 sp1 L=100
MC117-220	PTFE TUBE L=220



▽ = use sealant Loxeal 85-86 (COD. 9500050)

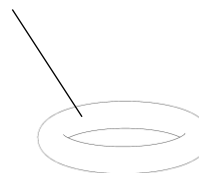
□ = use sealant Loxeal 55-03 (COD. 9500051)

○ = use grease Molycote G-1502 (COD. 9500049)

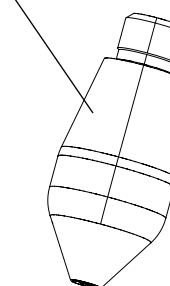


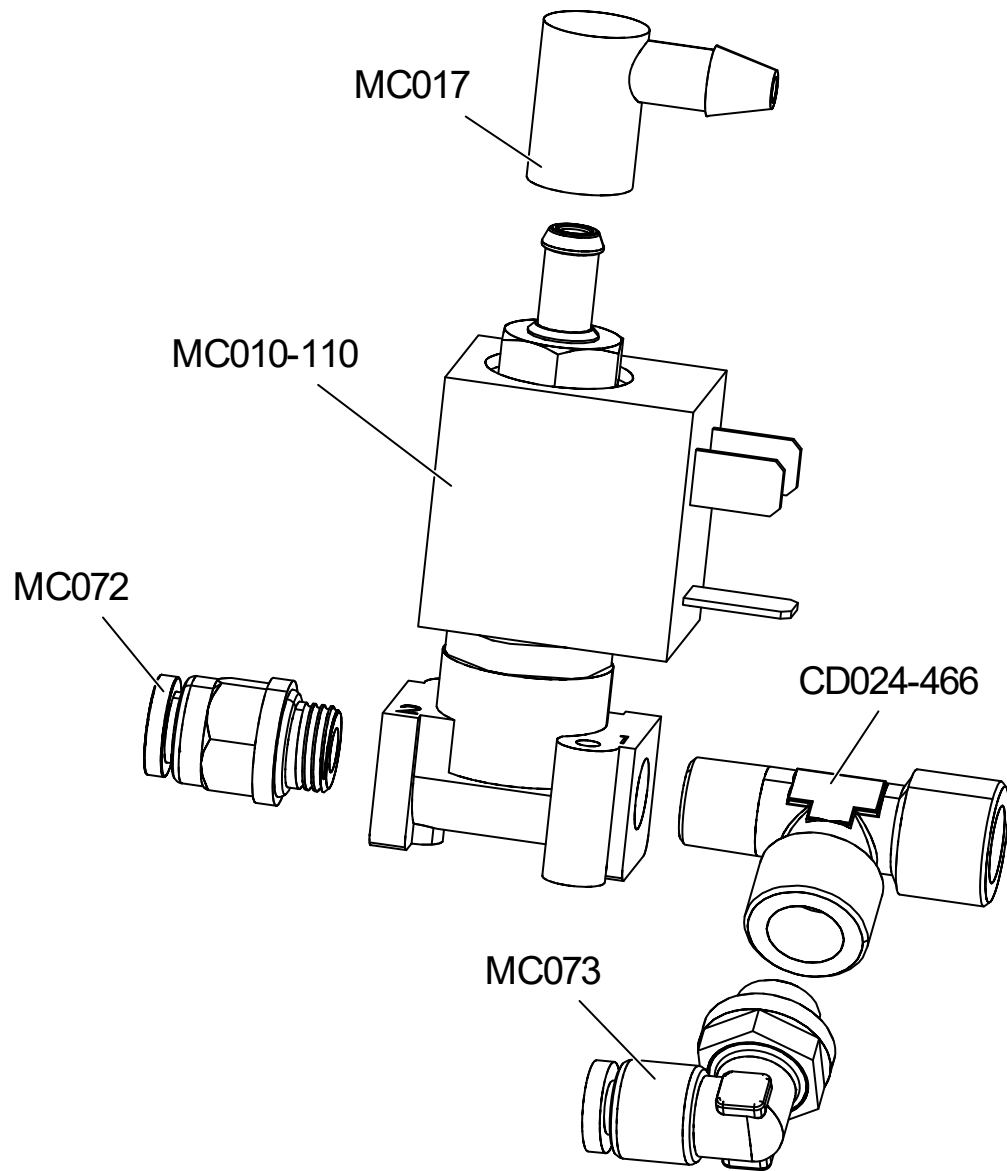
CODE	DESCRIPTION
2200065	TAP
2200067	ROD FOR TAP ON PL41 AND PL41PLUS WITH TEFON HOLDING
2200107	NOZZLE + OR
8700009	OR GASKET
MC037	BRASS NUT 1/8G CH=14 h=4,5
MC215	NUT M14
MC742	MOVABLE STEAM WAND

8700009

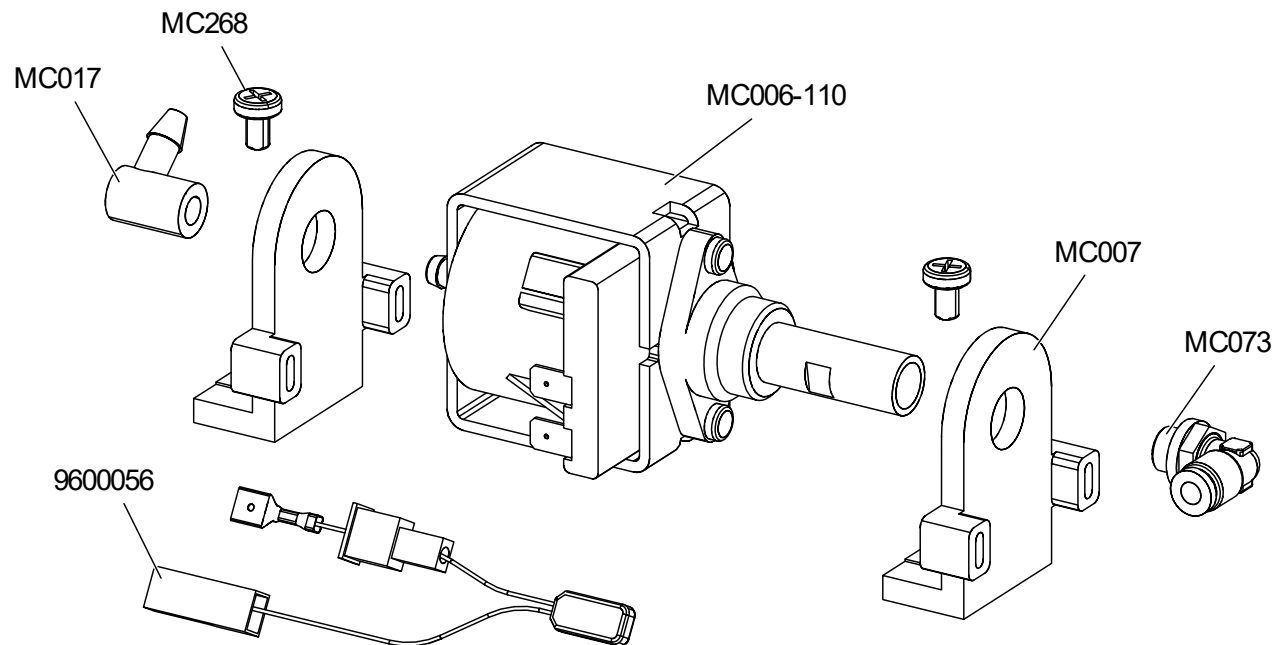


2200107

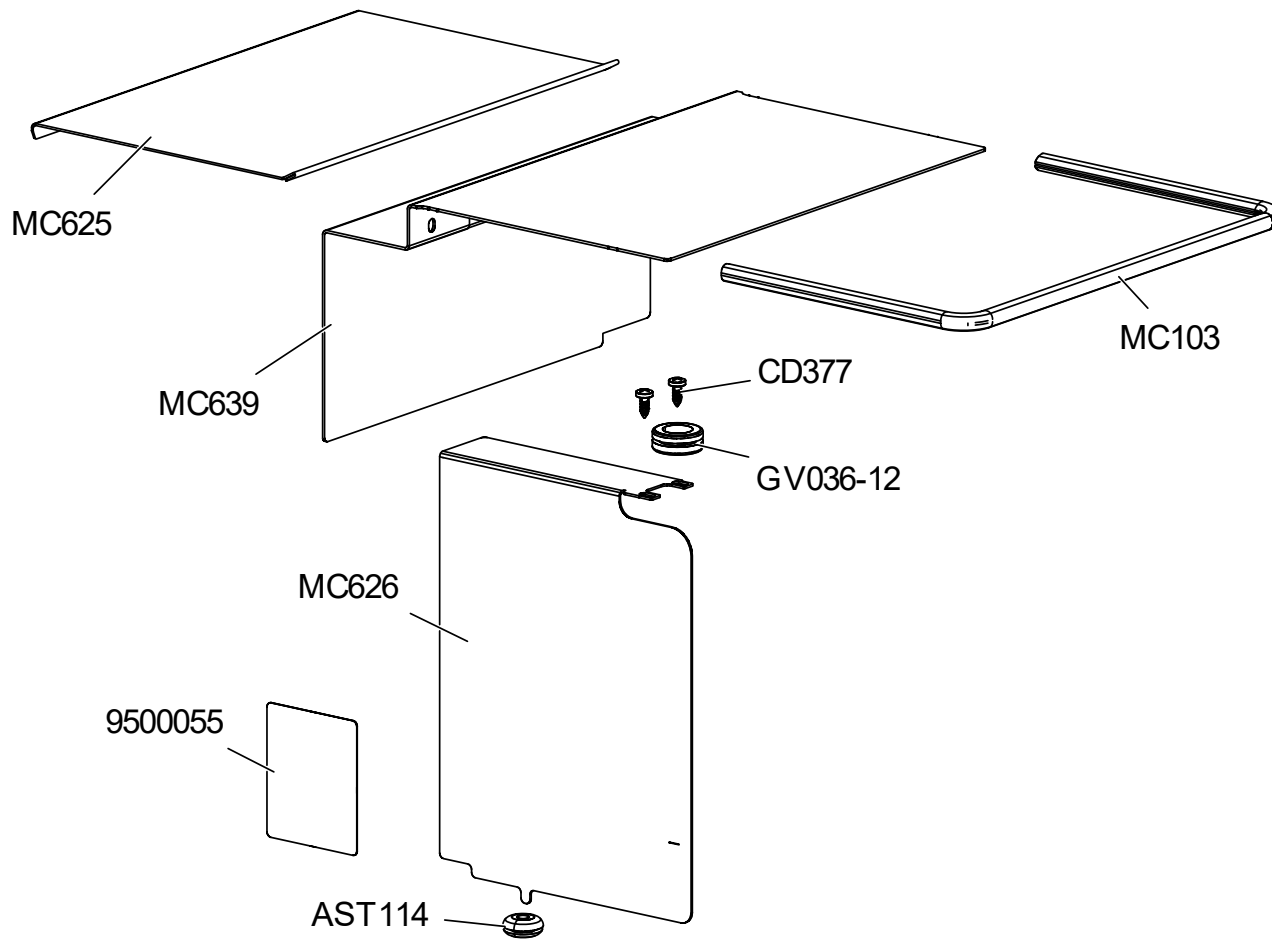




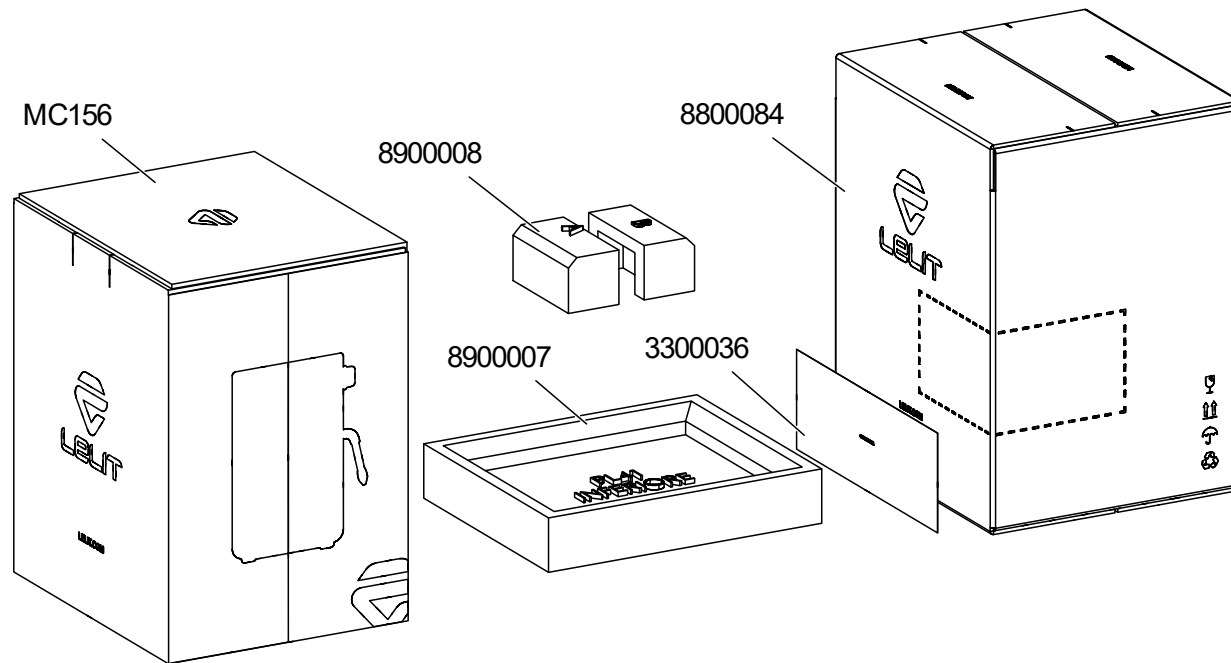
CODE	DESCRIPTION
CD024/466	T JOINT 1/8
MC010/110	SOLENOID VALVE S9000A 120VOLT "UL"
MC017	RUBBER CONNECTION
MC072	QUICK RELEASE JOINT
MC073	L QUICK RELEASE JOINT Diam.5-M1/8G



CODE	DESCRIPTION
9600056	110° THERMIC VIBRATION PUMP PROTECTOR
MC006/110	VIBRATION PUMP 120V 60HZ
MC007	"L" SUPPORT FOR PUMP EP5 FOR ART.040/041
MC017	RUBBER CONNECTION
MC073	L QUICK RELEASE JOINT Diam.5-M1/8G
MC268	SCREW M5x8

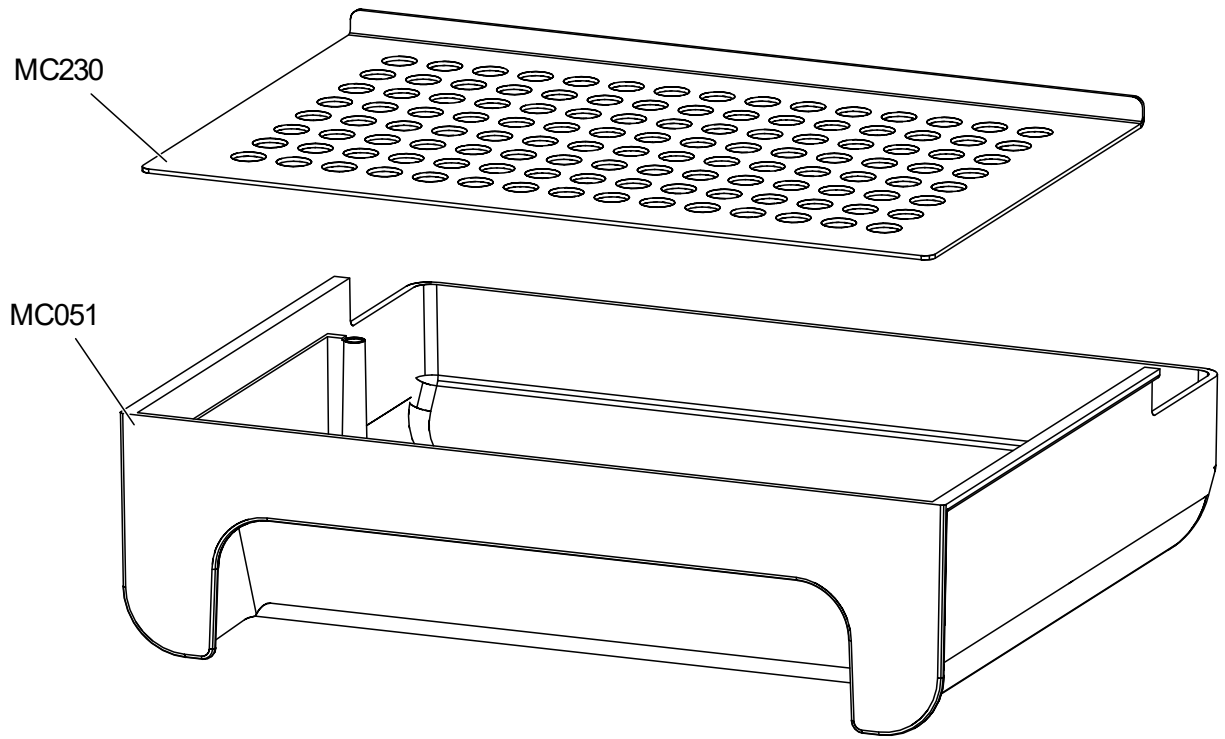


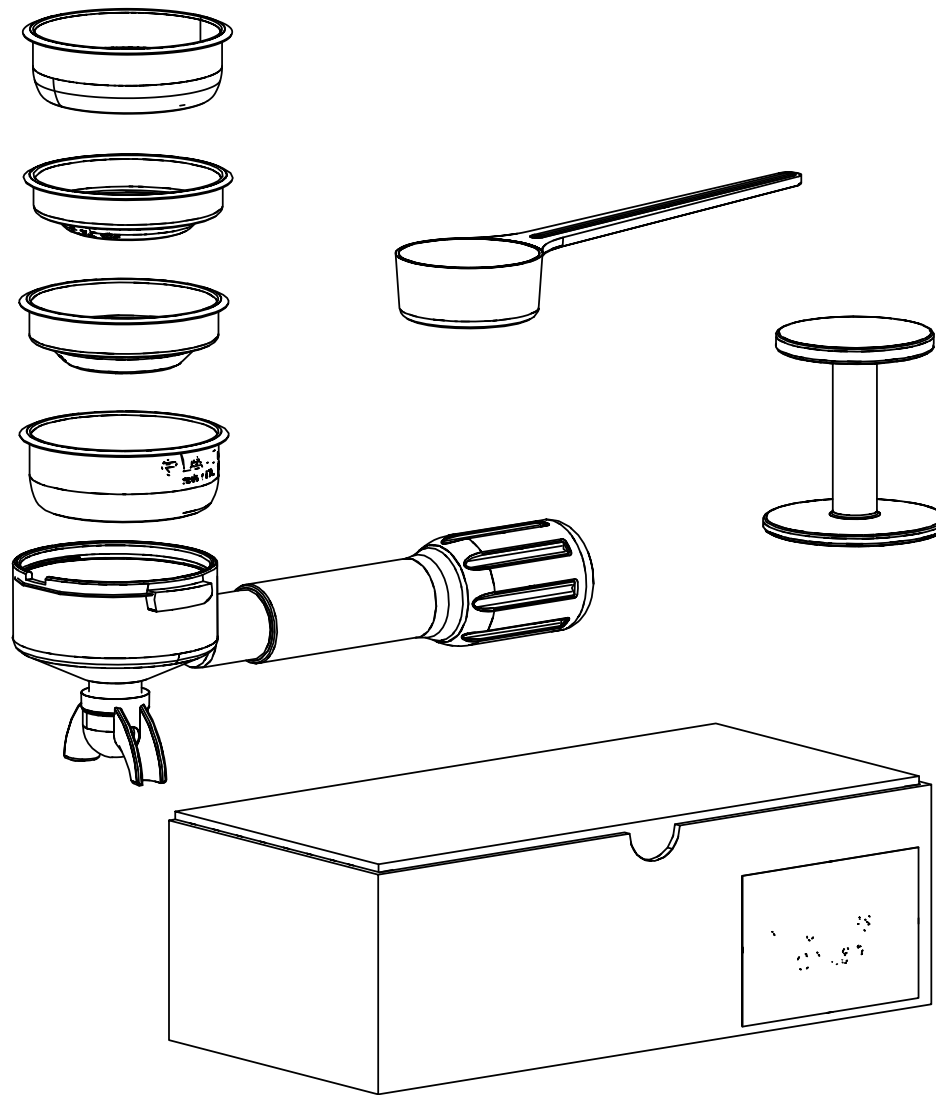
CODE	DESCRIPTION
9500055	NEUTRAL POLYESTER INSULATION PANEL
AST114	SILICONE FAIRLEAD
CD377	SCREW 3,5x9,5
GV036/12	FAIRLEAD FOR CHARGE TUBES F/PG036
MC103	COVER GASKET. B596 L.42,5CM
MC625	REMOVABLE COVER FOR PL41
MC626	PROTECTION PLAQUE FOR WIRING PL41
MC639	FIX COVER FOR PL41



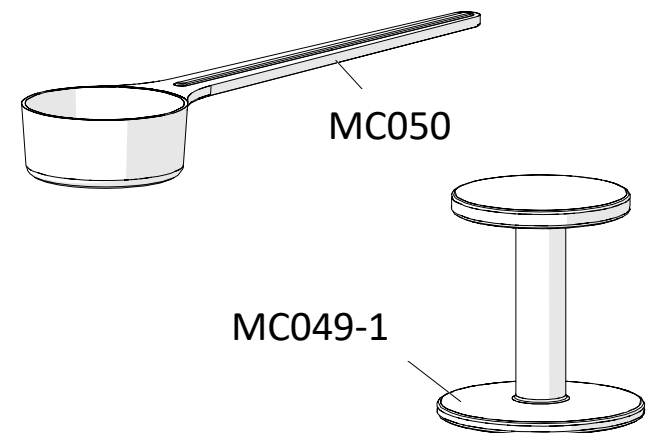
CODE	DESCRIPTION
3300036	LABEL
8800084	MASTER CARTON
8900007	LOWER PACKAGING PL41 BOX
8900008	UPPER PACKAGING PL41 BOX
MC156	BOX FOR PL41

CODE	DESCRIPTION
MC051	WATER TRAY
MC230	CUP GRILL WITH ROUND HOLES

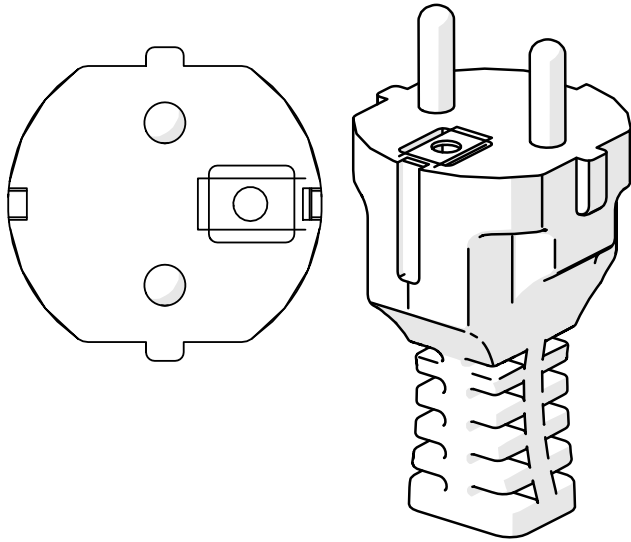




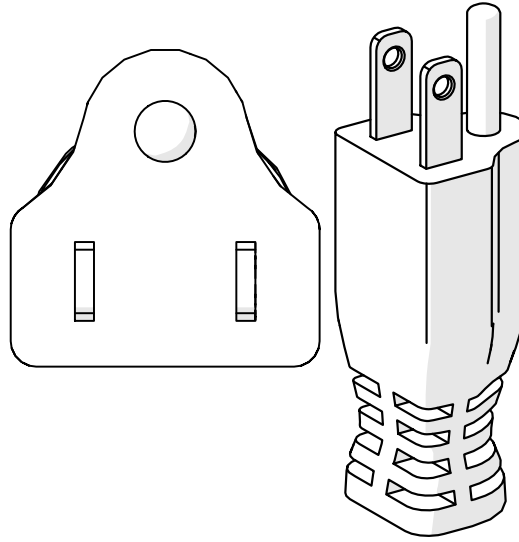
CODE	DESCRIPTION
MC049-1	PLASTIC COFFEE TAMPER
MC050	PLASTIC SPOON FOR COFFEE POWDER
EQUIPMENT BOX	



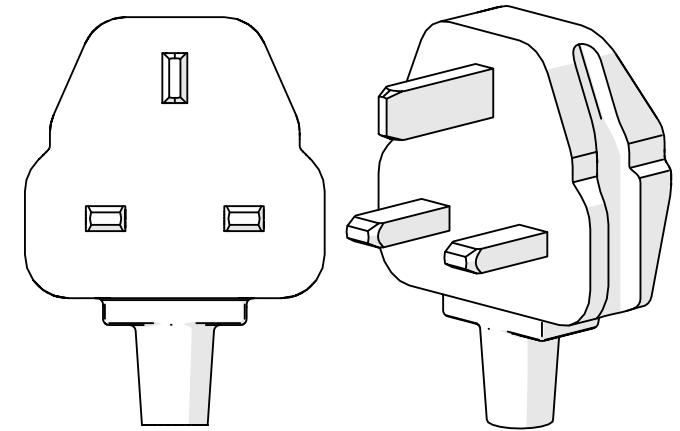
MC269 (EUROPE)



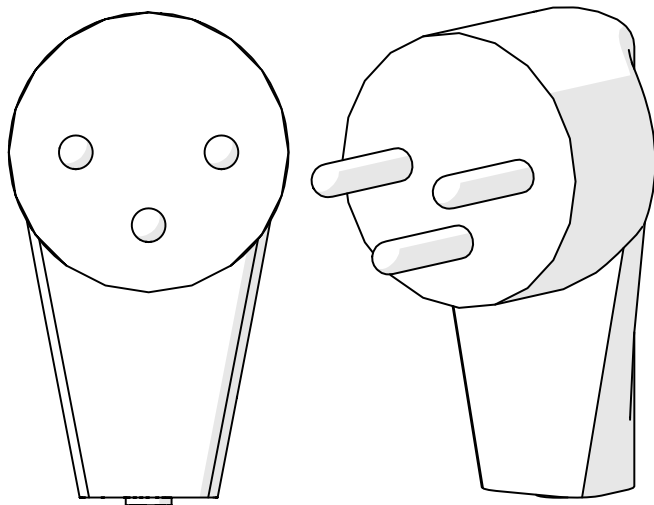
MC269-110 (UNITED STATES)



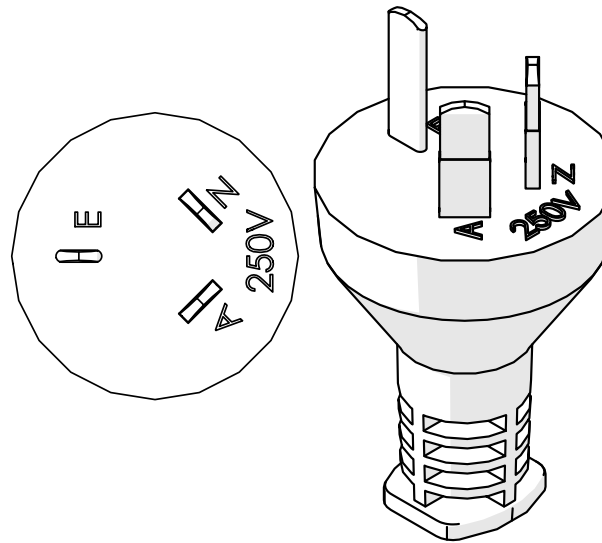
MC269UK (UNITED KINGDOM)



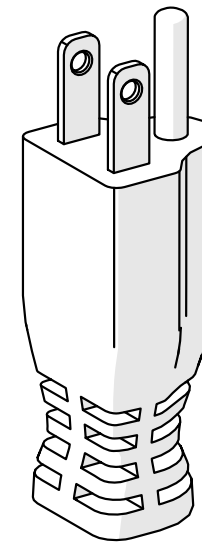
MC269IL (ISRAEL)



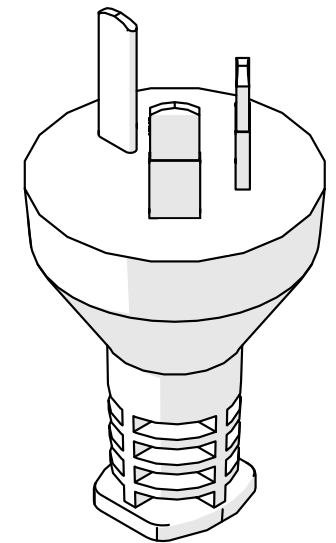
MC269AUS (AUSTRALIA)



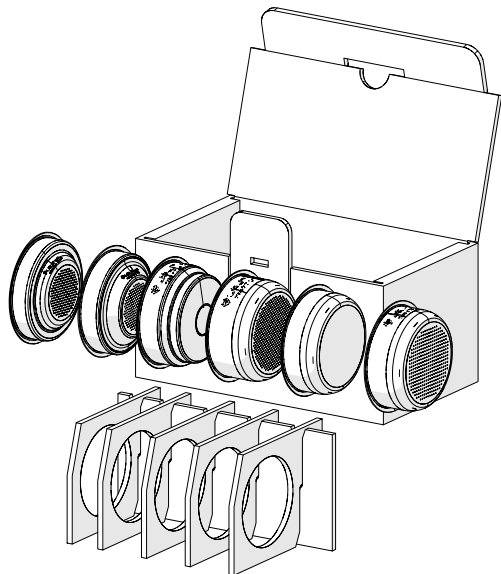
**MC269-100
(JAPAN)**



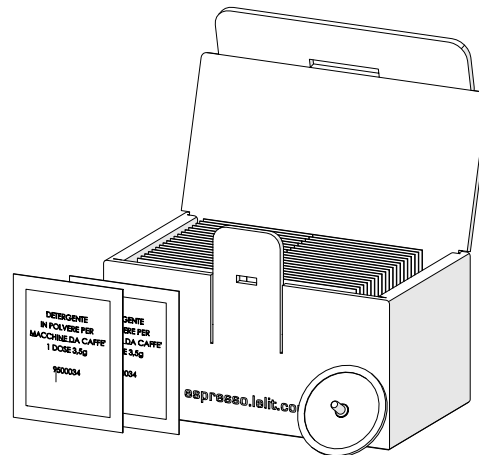
**MC269CHN
(CHINA)**



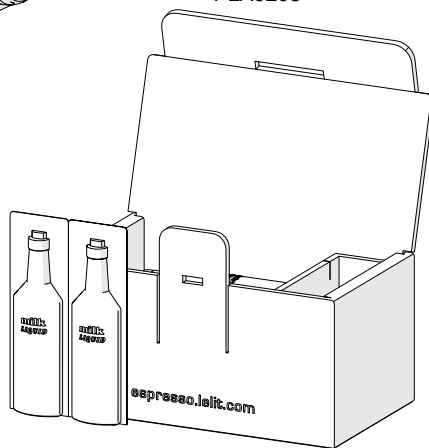
PLA170S



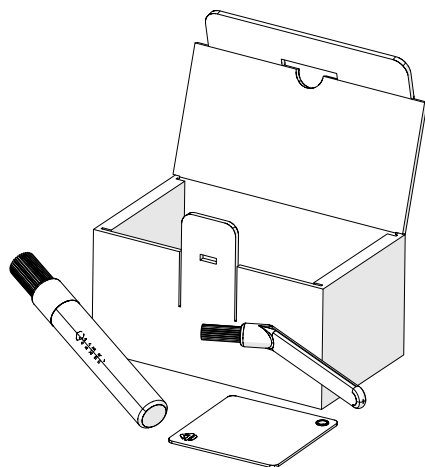
PLA9201



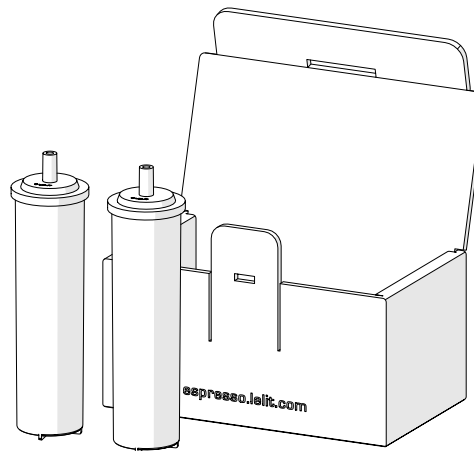
PLA9203



PLA9101

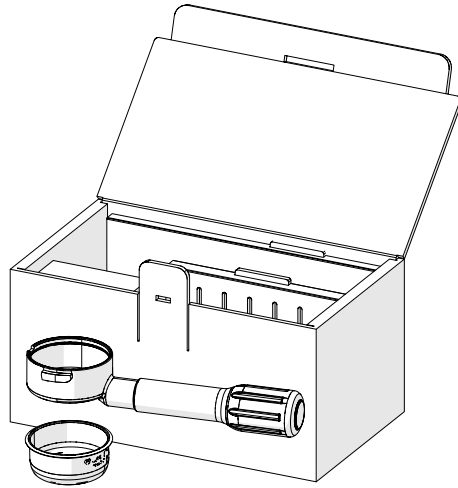


PLA930M

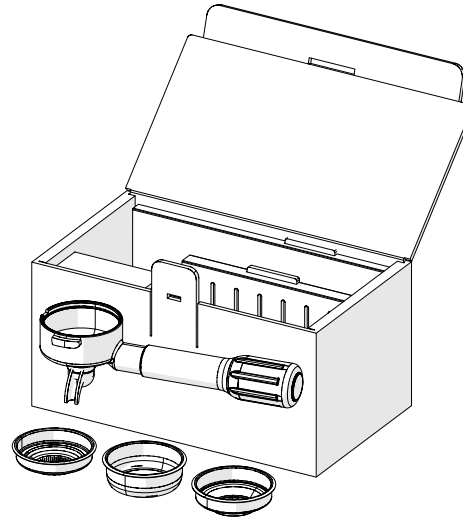


CODE	DESCRIPTION
PLA170S	LELIT57 FILTERS SET
PLA9101	CLEANING KIT
PLA9201	PACKAGE OF 40 SINGLE-DOSE (3.5GR) GROUP CLEANER
PLA9203	PACKAGE OF 10 SINGLE-DOSE BOTTLE (25ML) STEAM WAND CLEANER
PLA930M	PACKAGE CONTAINING 2PCS OF 70LT RESIN FILTERS

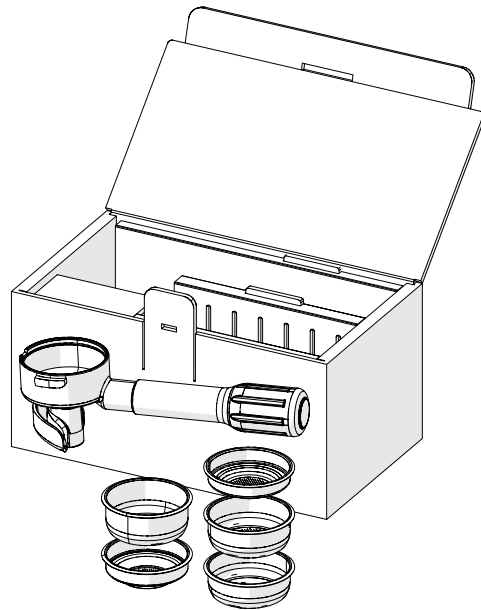
PLA570S



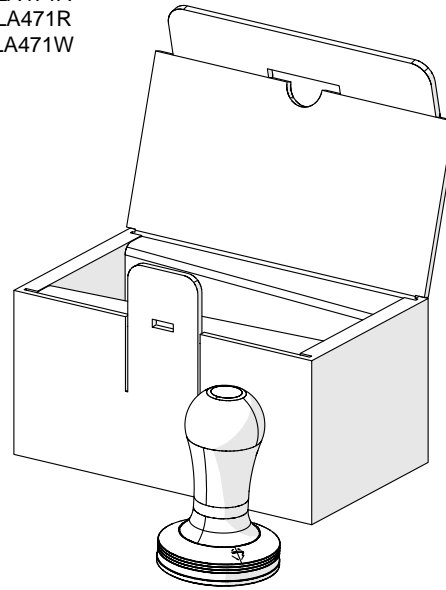
PLA571S



PLA572S



PLA471A
PLA471R
PLA471W



CODE	DESCRIPTION
PLA471A	TAMPER LELIT57 ALUMINIUM HANDLE
PLA471R	TAMPER LELIT57 RED WOODEN HANDLE
PLA471W	TAMPER LELIT57 TWO-TONE WOODEN HANDLE
PLA570S	BOTTOMLESS FILTERHOLDER LELIT57
PLA571S	1-WAY FILTERHOLDER LELIT57
PLA572S	2-WAYS FILTERHOLDER LELIT57