

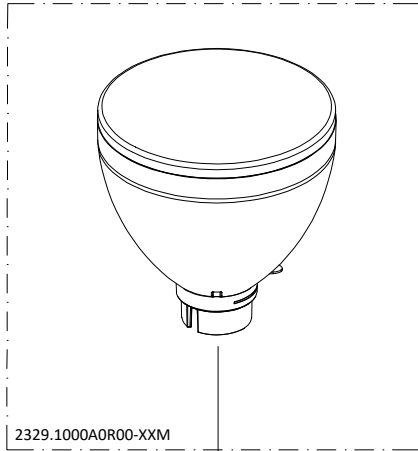


LX NEWTON

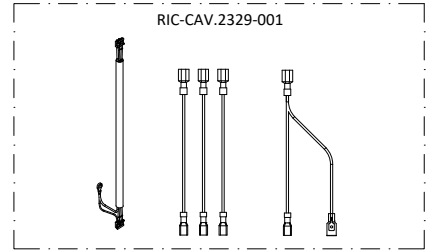
26/09/2023

ESGR-2329-01v2309

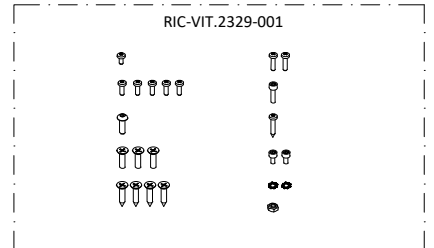
110V/60Hz - 220V/60Hz - 220-230V/50Hz - 230-240V/50Hz



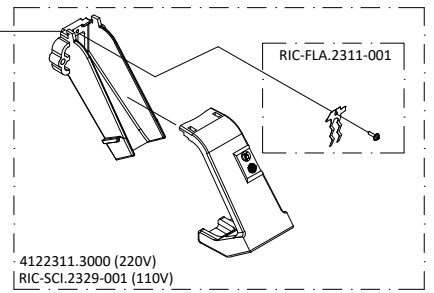
2329.1000A0R00-XXM



RIC-CAV.2329-001



RIC-VIT.2329-001



RIC-FLA.2311-001

4122311.3000 (220V)
RIC-SCI.2329-001 (110V)

RIC-COP.2329-001 (cromo)
RIC-COP.2329-002 (nero)

2311.0035A0R03-XXG

RIC-PMS.2320-001

RIC-POM.2329-001

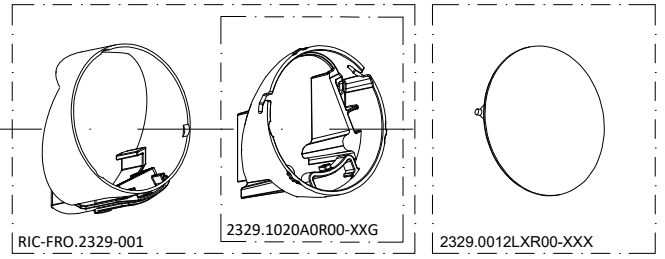
E00329-015015-R00

MAC55ITAv1802 CP

E00330-009052-R00

6040.0062

RIC-SCU.2329-001



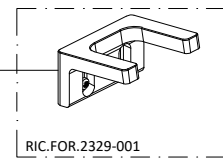
RIC-FRO.2329-001

2329.1020A0R00-XXG

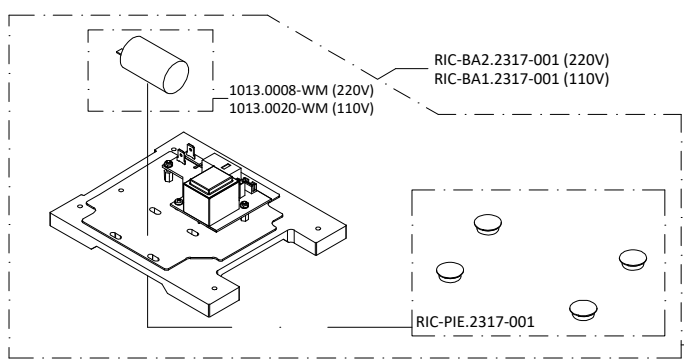
2329.0012LXR00-XXX

RIC-INT.2315-001

2329.0023A0R00-XXG



RIC-FOR.2329-001

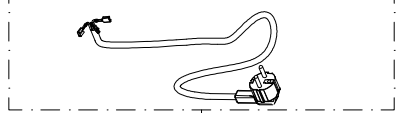


1013.0008-WM (220V)
1013.0020-WM (110V)

RIC-BA2.2317-001 (220V)
RIC-BA1.2317-001 (110V)

RIC-PIE.2317-001

1005.0240F5A G.B. - U.K.
1005.0225 SCHUKO 1.2 mt
1005.0110 USA
1005.6220 CINA - CHINA





Listino ricambi/ *Spare Parts Price List*
NEWTON 55

ARTICOLO/ITEM N°	DESCRIZIONE/DESCRIPTION	PREZZO PRICE
1005.0110	CABLAGGIO UL/CSA V110 USA/CANADA PLUG V110	€ 7.36
1005.0225	CABLAGGIO MONOFASE mt.1,20 spina schuko SCHUKO PLUG 1.2 mt V220	€ 7.36
1005.6220	CABLAGGIO MONOFASE per Cina CHINA PLUG V220-230	€ 13.46
6040.0062	BOCCOLA NYLON Di 5,2mm D-foro 6,2mm NYLON BUSH Of 5.2mm D-hole 6.2mm	€ 0.92
4122311.3000	GRUPPO SCIVOLO CAFFE' x MIGNON NUOVO COFFEE EXIT SLIDE GROUP	€ 12.19
1005.0240F5A	CABLAGGIO VOLT. 240 per GB + fus. 5A U.K. PLUG V230-240	€ 13.46
1013.0008-WM	CONDENSATORE 8MF 425-475-500Vac 50/60Hz CAPACITOR 8µF 425-475-500Vac 50/60Hz	€ 12.19
1013.0020-WM	COND. 20MF 400-450Vac 50/60Hz (UL) CAPACITOR 20MF 400-450Vac 50/60Hz	€ 12.19
2311.0035A0R03-XXG	GUARNIZIONE CAMPANA MIGNON BEAN HOPPER SEAL	€ 2.42
2329.0012LXR00-XXX	SK DPY TOUCH LX FW v.01.00 LX TOUCH DISPLAY	€ 93.50
2329.0023A0R00-XXG	TASSELLO NEWTON EDISON/NEWTON DOWEL	€ 0.96
2329.1000A0R00-XXM	CAMPANA COMPLETA LX NEWTON/EDISON HOPPER LX NEWTON/EDISON	€ 56.00
2329.1020A0R00-XXG	NASO LX INTERNO NEWTON/EDISON PLAST*** INTERNAL NOSE FOR NEWTON/EDISON	€ 4.00
E00329-015015-R00	ETICHETTA POMELLO LX NEWTON/EDISON KNOB LABEL LX NEWTON/EDISON	€ 0.56
E00330-009052-R00	ET. REGOLAZ POMELLO LX NEWTON/EDISON KNOB SETTING LABEL LX NEWTON/EDISON	€ 0.68
MAC55ITAv1802 CP	COPPIA MACINA PIANA mm.55 DE/GC 55mm FLAT BURRS SET	€ 19.98
RIC-BA1.2317-001	RIC. BASE110_DOLCEVITA_STD BASE GROUP V110	€ 99.02



Listino ricambi/ *Spare Parts Price List*
NEWTON 55

RIC-BA2.2317-001	RIC. BASE220_DOLCEVITA_STD BASE GROUP V220	€ 99.02
RIC-CAV.2329-001	RIC. CAVI_NEWTON_STD CABLE KIT FOR EDISON/NEWTON	€ 7.00
RIC-COP.2329-001	RIC. COPERCHIO_NEWTON_PLAST CROMO CHROME COVER KIT	€ 95.00
RIC-COP.2329-002	RIC. COPERCHIO_NEWTON_PLAST NERE BLACK COVER KIT	€ 90.00
RIC-FLA.2311-001	RIC. FLAP_FILTRO SILENT_STD FLAP KIT	€ 2.65
RIC-FOR.2329-001	RIC. FORCELLA_NEWTON_STD EDISON/NEWTON FORK	€ 11.20
RIC-FRO.2329-001	RIC. FRONTALINO_NEWTON_PLAST CROMO FRONT COVER KIT	€ 54.50
RIC-INT.2315-001	RIC. INTERRUTTORE_XL_STD ON/OFF SWITCH	€ 3.22
RIC-PIE.2317-001	RIC. PIEDINI_DOLCEVITA_STD BASE FEET KIT	€ 3.59
RIC-PMS.2320-001	RIC. PORTAMACSUP_55mm_STD UPPER BURR HOLDER 55mm STD	€ 13.80
RIC-POM.2329-001	RIC. POMELLO_NEWTON_STD EDISON/NEWTON KNOB KIT	€ 19.60
RIC-SCU.2329-001	RIC. SCUDETTO_NEWTON_STD EDISON/NEWTON LX LOGO	€ 25.10
RIC-VIT.2329-001	RIC. VITI_NEWTON_STD SCREW KIT NEWTON	€ 3.68



Listino ricambi/ *Spare Parts Price List*
NEWTON 55

- Gli articoli evidenziati sono i ricambi delle parti soggette a maggiore usura, e quindi il loro approvvigionamento è particolarmente consigliato
- Tutti i prezzi si intendono IVA esclusa
- La merce viene venduta franco fabbrica a Sesto Fiorentino (FI) e viaggia a rischio del committente.

- The items highlighted are the spare parts of the pieces subject to greater wear, and therefore their supply is particularly recommended
- All prices are intended VAT excluded
- Goods are sold ex works from Sesto Fiorentino (FI), Italy and travel at the risk of the Customer