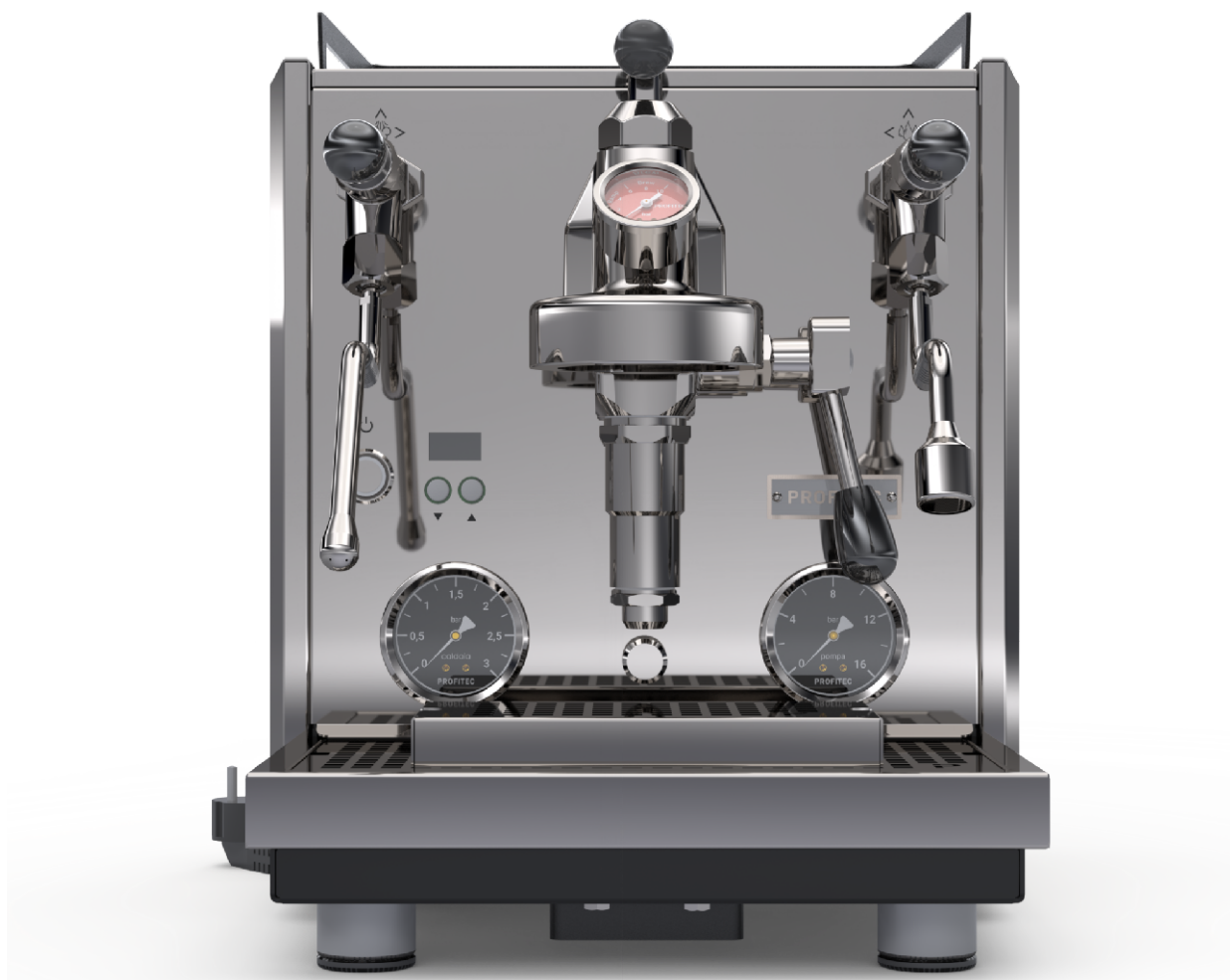


PROFITEC



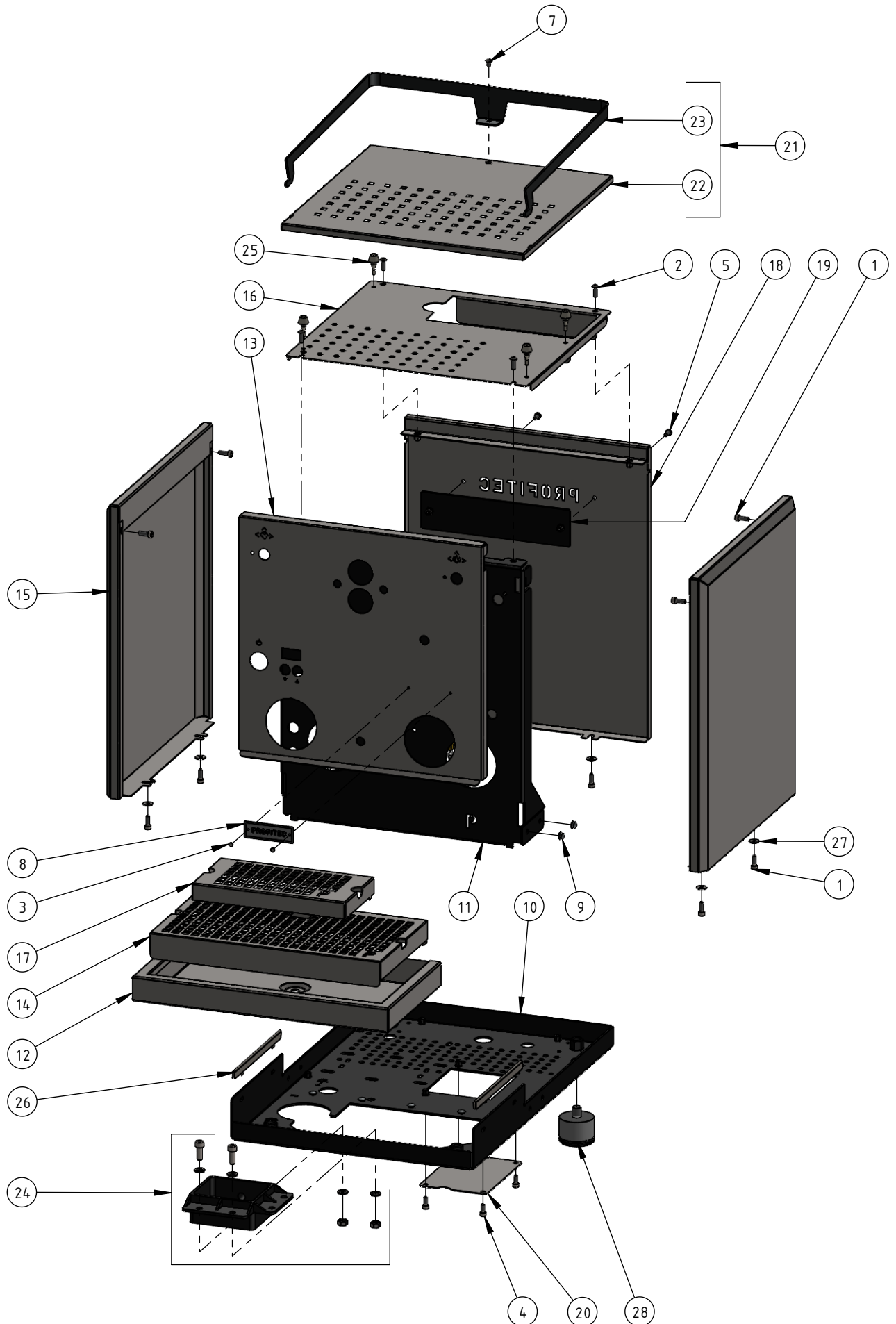
DRIVE

Art.-Nr. / Item no. 10750

Ersatzteile / Spare parts

17.10.2023

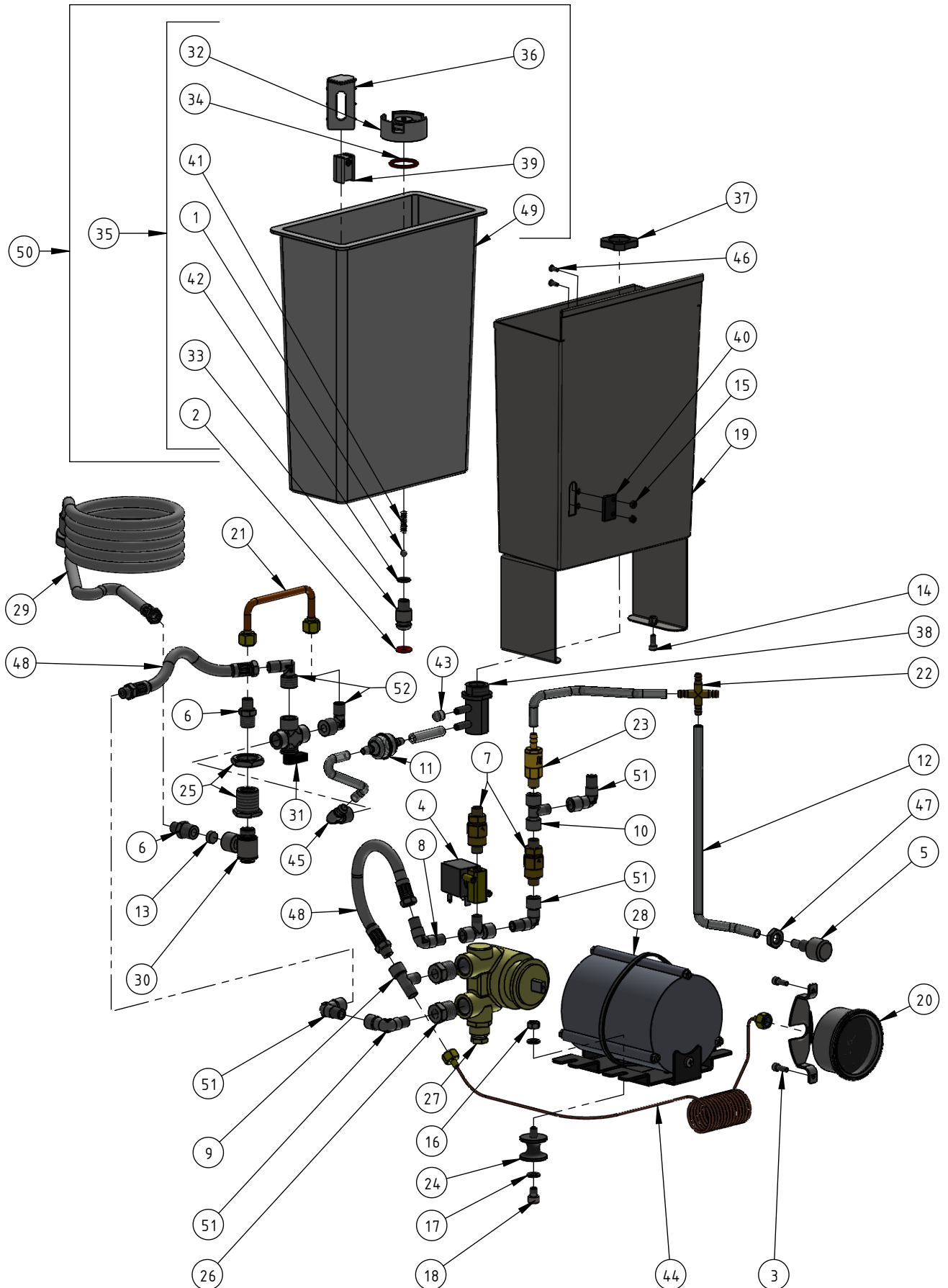
DRIVE EXPLODED DIAGRAM CHASSIS



**DRIVE
PARTS LIST CHASSIS**

POS.	ART. NO	BENENNUNG	DESCRIPTION
1	B7819901	Zylinderkopfschraube M4 x 12	Hex socket head cap screw M4 x 12 A2
2	P1992	Linsenkopfschraube M4 x 12 A2	Hex socket button head screw M4 x 12 A2
3	P1998	Blindniet Flachrundkopf Ø2,4x8	Blind rivet struss Head Ø2,4x8
4	P2006	Zylinderkopfschraube M4 x 10 A2	Hex socket head cap screw M4 x 10 A2
5	P2022	Linsenkopfschraube M4 x 10 A2	Hex socket button head screw M4 x 10 A2
6	P2052	Unterlegscheibe M6 A2	Washer M6 A2
7	P2055	Linsenkopfschraube M4 x 6 - A2	Hex socket button head screw M4 x 6 - A2
8	P2063.1	Emblem Profitec klein	Emblem Profitec small
9	P2076	Blindniet Ø4,8mm	Blind rivet inox Ø4.8
10	P2110.4	Grundrahmen Boden	Base frame bottom
11	P2110.5	Grundrahmen Front	Base frame front
12	P2111.3	Auffangschale	Drip tray
13	P2113.3	Frontblech	Front panel
14	P2114	Gitter Wasserauffangschale	Grid drip tray
15	P2117	Seitenwand L/R	Side panel L/R
16	P2119	Untere Tassenablage	Lower cup tray
17	P2122	Höhengitter	Height grid
18	P2124	Rückwand	Rear panel
19	P2125	Blech Hintergrund Schriftzug	Sheet metal background for lettering
20	P2127	Abdeckung Chassis	Maintenance cover
21	P2129	Tassenablage komplett	Cuptray complete
22	P2129.1	Tassenablage	Cuptray
23	P2129.2	Reling Tassenablage	Railing Cuptray
24	P2505	Ablaufwanne mit Schrauben	Drainage pan including screws
25	P2831	Silikonummipuffer Tassenablage unten	Silicone rubber bumper cup tray bottom
26	P3001.6	Schiene Auffangschale	Guide rail drip tray
27	P6100	Unterlegscheibe M4 A2 - ØA=12mm	Washer M4 A2 - ØA=12mm
28	P7025	Gerätefuß Inox H30mm M10	Appliance feet Inoc H30mm M10

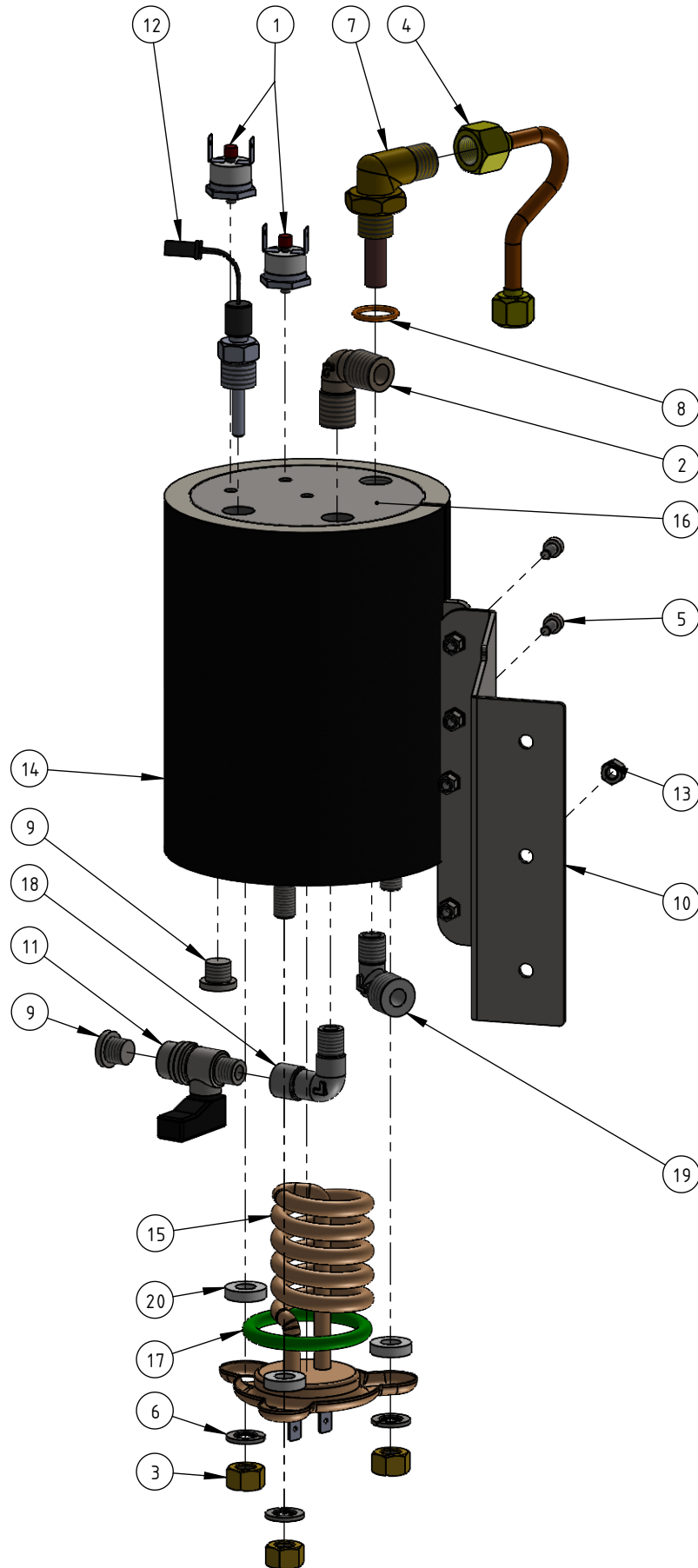
DRIVE EXPLODED DIAGRAM HYDRAULICS



**DRIVE
PARTS LIST HYDRAULICS**

POS.	ART. NO	BENENNUNG	DESCRIPTION
1	B5471509	Kugel Wassertankverschluss	Ball water tank lock
2	B7496076	Dichtung Wassertankadapter unten	Seal water tank adapter lower
3	B7819901	Zylinderkopfschraube M4 x 12	Hex socket head cap screw M4 x 12 A2
4	C199900275	Magnetventil 2-Wege 1/8"FF 230V/50Hz	Solenoid valve 2-ways 1/8"FF 230V/50Hz
	US1005	Magnetventil 2-Wege 1/8"FF 110V/60Hz	Solenoid valve 2-ways 1/8"FF 110V/60Hz
5	C227700898	Ablaufdüse Messing verchromt	Drain nozzle chromated brass
6	C229900519	Nippel G1/4"M - G1/8"M	Nipple G1/4"M - G1/8"M
7	C229900548	Rückschlagventil 1/8" MM	Check valve 1/8" MM
8	C229900579	L-Verbindungsstück 1/8"M 1/8"M	Elbow 1/8"M 1/8"M
9	C229900644	T-Stück G1/8" - M M F	T-Fitting G1/8" M M F
10	C229900703	T-Stück 1/8" FMF	T-connector 1/8"FMF
11	C439900695	Filter Wassertank	Filter water tank operation
12	C499900769	Silikon Schlauch Ø5 x Ø8	Silicone hose Ø5 x Ø8
13	C519900369	Filter Festwasser-eingang	Filter fixed water inlet
14	P2006	Zylinderkopfschraube M4 x 10 A2	Hex socket head cap screw M4 x10 A2
15	P2019	Sechskantmutter M3 A2	Hexagon Nut M3 A2
16	P2051	Sechskantmutter M6 A2	Hex nut M6 A2
17	P2052	Unterlegscheibe M6 A2	Washer M6 A2
18	P2077	Zylinderkopfschraube M6 x 8 A2	Hex socket head cap screw M6 x 8 A2
19	P2123	Führung Wassertank geschlossen	Water tank guide closed
20	P2460	Manometer Pumpendruck	Pump pressure gauge
21	P2520	Rohr Festwasser / Ventil	Pipe fixed plumbing / Valve
22	P2559	Kreuzfitting messing Schlauch	Cross fitting brass hose
23	P2567	Expansionsventil 14 Bar Rota	Expansionvalve 14 Bar Rota
24	P3015.1	Fuß Motor Rotationspumpe Antivibrante	Foot motor rotation pump
25	P3023	Durchgang G1/4" F - F	Straight-through fitting G1/4" F - F
26	P3024	Reduzierung G3/8"M - G1/8"F	Reducer G3/8"M - G1/8"F
27	P3025	Rotationspumpe 50L/h	Rotary pump 50l/h
28	P3026	Motor Rotationspumpe 220V/50HZ/120W	Motor rotary pump 220V/50HZ/120W
	US1016	Motor Rotationspumpe 110V/60HZ/120W	Motor rotary pump 110V/60HZ/120W
29	P3036	Metallschlauch Flex G1/8"F - G3/8"F 150cm	Flex hose G1/8"F - G3/8"F 150cm
30	P3527	L-Stück 360° drehbar G1/4" M - F	Elbow 360° rotary G1/4" M - F
31	P3528	Ventil 3-Wege manuell G1/4" FFF	Valve 3-ways manual G1/4" FFF
32	P6009.1	Kartuschenhalter Filter	Cartridge holder Filter
33	P6009.2	Stutzen männlich Filter	Male connector filter
34	P6009.3	O-Ring Kartuschenhalter Wassertank	O-ring filtercartridge holder water tank
35	P6009.BK	Nachrüstset Wassertankadapter mit Filteraufnahme	Retrofit kit water tank adapter with filter holder
36	P6016	Deckel Schwimmer Wassertank	Floater cap water tank
37	P6020.K3	Mutter M20 Wassertank	Watertank adapter connector nut M20
38	P6020.K4	Wassertankadapter M20	Water tank adapter connector
39	P6021	Reed Schwimmer	Reed swimmer
40	P6022	Reed Sensor Wassermangelabschaltung	Reed sensor low water switch-off
41	P6023	Feder Wassertankverschluss	Spring water tank lock
42	P6025	O-ring DIN 3771 - 9.25x1.78	Seal water tank adapter middle
43	P6026	Verschlusskappe WT-Adapter	Closure cap WT-connector silicone
44	P6051	Kapillarrohr Pumpendruckmanometer 1/8"FF	Capillary tube pump pressure gauge 1/8"FF
45	P6057	L-Stück 1/4"Mx6	Elbow 1/4"M 6mm silicone tube
46	P6101	Linsenkopfschraube - M3 x 8 A2	Hex socket button head screw M3 x 8 A2
47	P6103	Sechskantmutter (halb) M10 A2	Hex thin nut chamfered M10 A2
48	P8012	Flexschlauch 1/8"M 1/8"F	Flex hose 1/8"M 1/8"F
49	P9010	Wassertank Rohling	Water tank blank
50	P9010.BK1	Wassertank komplett mit Reed Schwimmer und Filteraufnahme	Watertank complete with reed floater and filter holder
51	P9014	L-Verbindungsstück G1/8" M - G1/8" F	Elbow G1/8" M - G1/8" F
52	P9015	L-Stück G1/4"M - G1/8"M	Elbow G1/4"M - G1/8"M

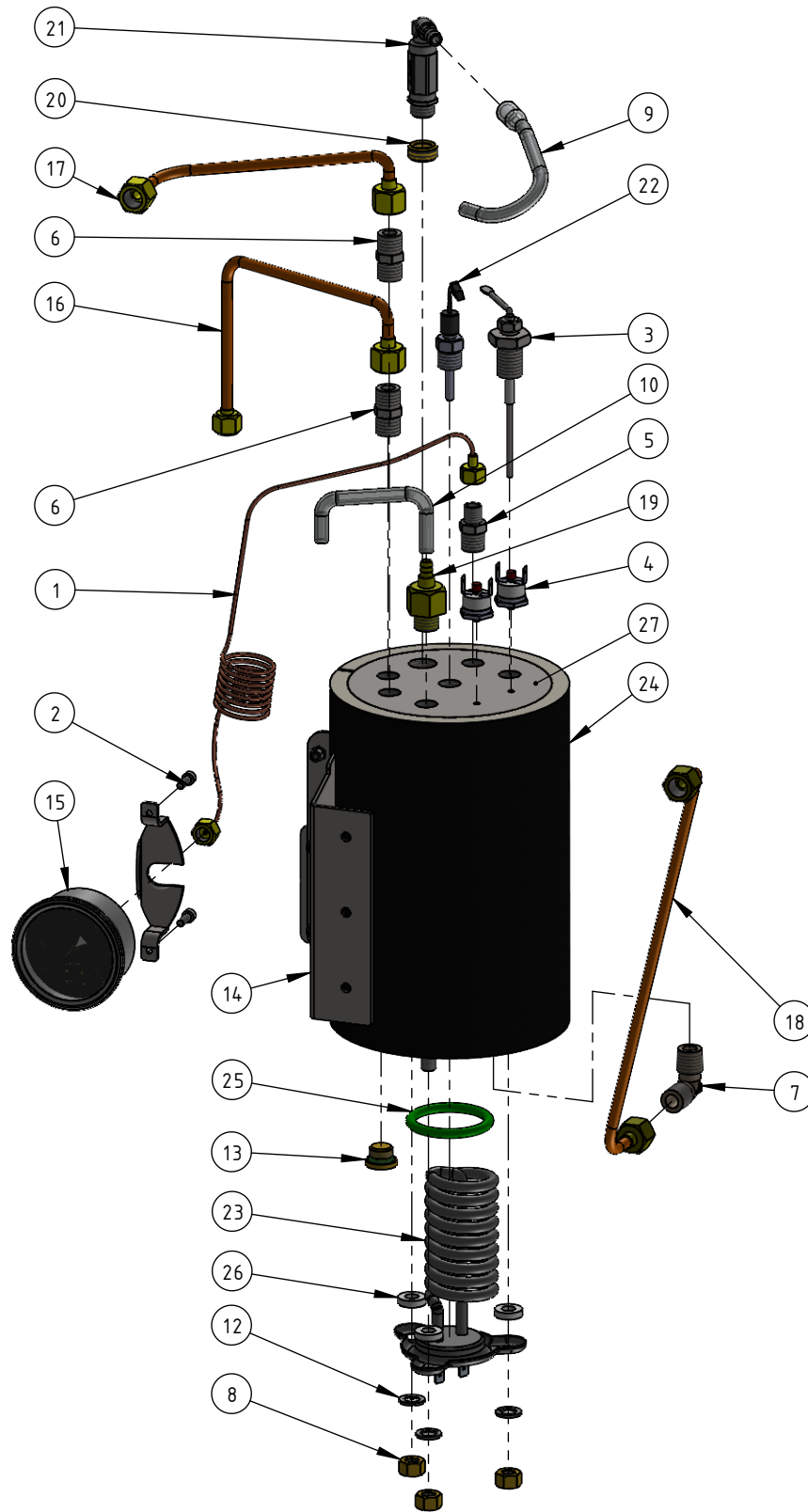
DRIVE EXPLODED DIAGRAM COFFEE BOILER



**DRIVE
PARTS LIST COFFEE BOILER**

POS.	ART. NO	BENENNUNG	DESCRIPTION
1	C199901550.1	Sicherheitsthermostat 145°C	Safety thermostat 145°C
2	C229900526	L-Verbindungsstück G1/4" M - R1/4" M	Elbow G1/4" M - R1/4" M
3	C309900127.2	Sechskantmutter M8 Messing	Hex nut M8 brass
4	P1904	Rohr Kesselbefüllung	Boiler loading pipe
5	P2006	Zylinderkopfschraube M4 x 10 A2	Hex socket head cap screw M4 x10 A2
6	P2011	Federring M8 A2	Spring washer M8 A2
7	P2040	Winkel Kessel Wärmetauscher G1/4" M - G1/4" M	Elbow G1/4" M - G1/4" M
8	P2049	Kupferdichtung 1/4"	Copper sealing ring 1/4"
9	P2058	Stopfen m. Dichtung G1/8"	Screw plug with gasket G1/8"
10	P2121	Halterung Kessel	Bracket boiler
11	P3029	Absperrventil G1/8" M - F	Stop valve G1/8" M - F
12	P6037	Temperatursensor G1/4"	Temperature probe G1/4"
13	P6102	Sechskantmutter M5 A2	Hexagon nut M5 A2
14	P7051	Isolierung Kaffeekessel	Insulation stainless steel boiler
15	P9011	Heizung Kessel 1kW 230V	Heating element 1kW 230V
	US1008	Heizung Kessel 1kW 110V	Heating element 1kW 110V
16	P9012	Kaffeekessel	Stainless steel boiler
17	P9013	Dichtung Heizung Kessel Edelstahl	Seal heating element stainless steel boiler
18	P9014	L-Verbindungsstück G1/8" M - G1/8" F	Elbow G1/8" M - G1/8" F
19	P9015	L-Stück G1/4"M - G1/8"M	Elbow G1/4"M - G1/8"M
20	P9033	Scheibe Teflon Ø 7,8 x 15,8 x 4 mm	Washer Teflon Ø 7,8 x 15,8 x 4mm

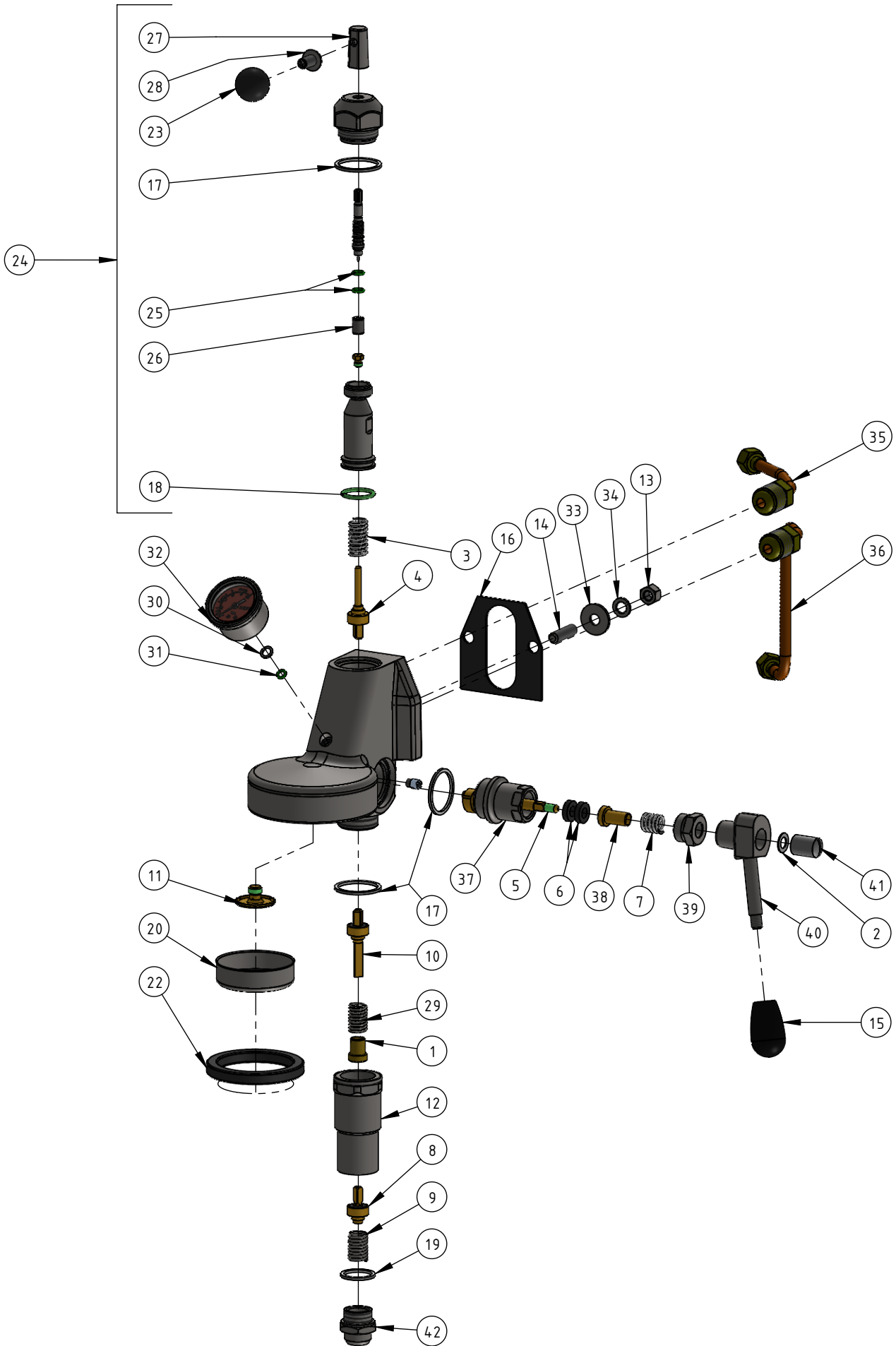
DRIVE EXPLODED DIAGRAM STEAM BOILER



DRIVE PARTS LIST STEAM BOILER

POS.	ART. NO	BENENNUNG	DESCRIPTION
1	B7400902	Kapillarrohr Kesseldruckmanometer 1/8"FF	Capillary tube boiler pressure gauge 1/8"FF
2	B7819901	Zylinderkopfschraube M4 x 12	Hex socket head cap screw M4 x 12 A2
3	C199900214	Füllstandsonde 120mm	level control probe 120mm
4	C199901550.1	Sicherheitsthermostat 145°C	Safety thermostat 145°C
5	C229900519	Nippel G1/4"M - G1/8"M	Nipple G1/4"M - G1/8"M
6	C229900520	Nippel G1/4"M - G1/4"M	Nipple G1/4"M - G1/4"M
7	C229900526	L-Verbindungsstück G1/4" M - R1/4" M	Elbow G1/4" M - R1/4" M
8	C309900127.2	Sechskantmutter M8 Messing	Hex nut M8 brass
9	C499900769	Silikonschlauch Ø5 x Ø8	Silicone hose Ø5 x Ø8
10	C499900769	Silikonschlauch Ø5 x Ø8	Silicone hose Ø5 x Ø8
11	P2006	Zylinderkopfschraube M4 x 10 A2	Hex socket head cap screw M4 x10 A2
12	P2011	Federring M8 A2	Spring washer M8 A2
13	P2060	Verschlussschraube m. Dichtung G1/4"	Blind screw w. gasket G1/4"
14	P2121	Halterung Kessel	Bracket boiler
15	P2461	Manometer Kesseldruck	Boiler pressure gauge
16	P2521	Rohr Befüllung Dampf Kessel	Steam boiler loading pipe
17	P2522	Rohr Dampfentnahme	Steam extraction pipe
18	P2523	Rohr Wasserentnahme	Water extraction pipe
19	P2561	Antivakuumentil 1/4" M mit Ablauf	Anti-vacuum valve with drain 1/4"
20	P2660	Gewindereduzierung G3/8"M - G1/4"F	Thread reduction G3/8"M - G1/4"F
21	P2661	Sicherheitsventil 2,5 Bar m. Ablauf G1/4"	Safety relief valve 2,5 bar w. drain G1/4"
22	P6037	Temperatursensor G1/4"	Temperature probe G1/4"
23	P7014.1	Heizung 230V 1400W	Heating element 230V 1400W
	US1000	Heizung 110V 1400W	Heating element 110V 1400W
24	P7052	Isolierung Dampfkessel Edelstahl	Insulation steam boiler INOX
25	P9013	Dichtung Heizung Kessel Edelstahl	Seal heating element stainless steel boiler
26	P9033	Scheibe Teflon Ø 7,8 x 15,8 x 4 mm	Washer Teflon Ø 7,8 x 15,8 x 4mm
27	P9232	Dampf-/Heißwasserkessel	Steam/hot water boiler

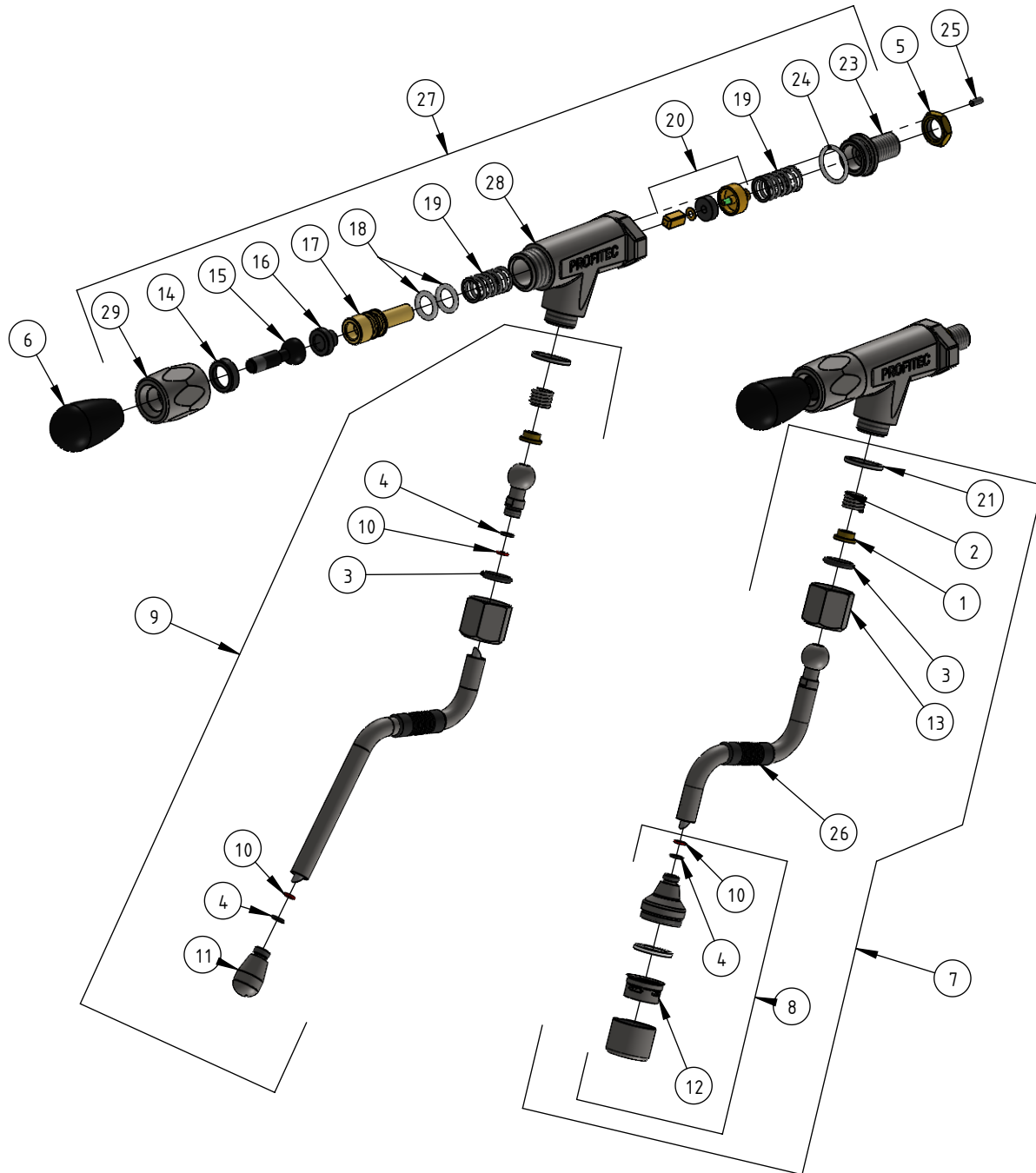
DRIVE EXPLODED DIAGRAM BREWGROUP



DRIVE PARTS LIST BREWGROUP

POS.	ART. NO	BENENNUNG	DESCRIPTION
1	B7479942	Federführung Gruppe	Spring guide group
2	B7479947	Zahnscheibe M8	Lock washer M8
3	C219900423	Feder Brühgruppe E61	Spring upper/middle
4	C219900424	Ventil Brühgruppe E61 oben	Valvestem upper brewgroup E61
5	C219900425	Nockenwelle Brühgruppe E61	Camshaft brewgroup E61
6	C219900426	Dichtung Nockenwelle Brühgruppe E61	Sealing camshaft brewgroup E61
7	C219900427	Feder Achse Gruppe	Spring axis group
8	C219900430	Ventil Brühgruppe E61 unten	Valve group E61 lower
9	C219900431	Feder unten	Spring lower
10	C219903081	Ventil Brühgruppe E61 Mitte	Valve group E61 middle
11	C229901128	Sprühverteiler	Sprayer brew group
12	C229901165	Vorbrühzylinder	Sleeve assembly
13	C309900127	Sechskantmutter M8 A2	Hex nut M8 A2
14	C309900131	Gewindestift M8 x 30 A2	Socket set screw flat point M8 x 30 A2
15	C439900840	Brühhebelgriff M8	Lever knob
16	C449900767	Dichtung Brühgruppe am Gehäuse	Gasket brew group/front panel E61
17	C469900421	Dichtung Teflon 35x30x2	Gasket axis 35x30x2
18	C469900422	Dichtung Glocke Brühgruppe	Gasket socket brew group
19	C469900783	Dichtung Teflon E61 unten	Teflon gasket 26x21x2
20	C519900103	Duschensieb für alle Modelle E-61	Shower screen E-61
21	P1018	Brühgruppe E61 Profitec Edelstahlglocke	Brew Group E-61 Profitec
22	P1021	Gruppendichtung H=8,5mm	Group gasket H=8,5mm
23	P1024	Kugelgriff	Ball knob
24	P1025	Glocke E61 Flussprofil	Mushroom E61 Flowprofile
25	P1025.1	O-Ring für Spindel Flussprofil	O-ring for spindle flow profile
26	P1025.2	Metallfilter Gigleur	Metal filter Gigleur
27	P1025.6	Kappe für Nadelventil	Needle valve cap
28	P1025.7	Gewindebolzen mit Rundung	Rounded threaded bolt
29	P1029	Feder	Spring
30	P1031	Unterlegscheibe 10 x 6,5 x 1 Teflon	Washer 10 x 6,5 x 1 Teflon
31	P1032	O-Ring Flussprofile	O-Ring Flow profile
32	P1033	Flussprofil Manometer Pro700	Flow profile pressure gauge Pro700
33	P1972	Unterlegscheibe M8 A2 - ØA=24mm	Washer M8 A2 - ØO=24mm
34	P2011	Federring M8 A2	Spring washer M8 A2
35	P2524	Rohr Einlauf Gruppe	Inlet pipe brewing group
36	P2525	Rohr Rücklauf Gruppe	Return pipe brewing group
37	R000002142	Flansch	Flange
38	R000002143	Stutzen Brühgruppe	Connector Group E61
39	R000002144	Verschraubung Achse Gruppe	Screw joint axis group
40	R000002145	Hebel Achse Gruppe oben mit Bolzen	Lever w. cam and bolt Brewgroup
41	R000002146	Bolzen Hebel	Bolt lever
42	R000002149	Verschraubung unten	Lower discharge group

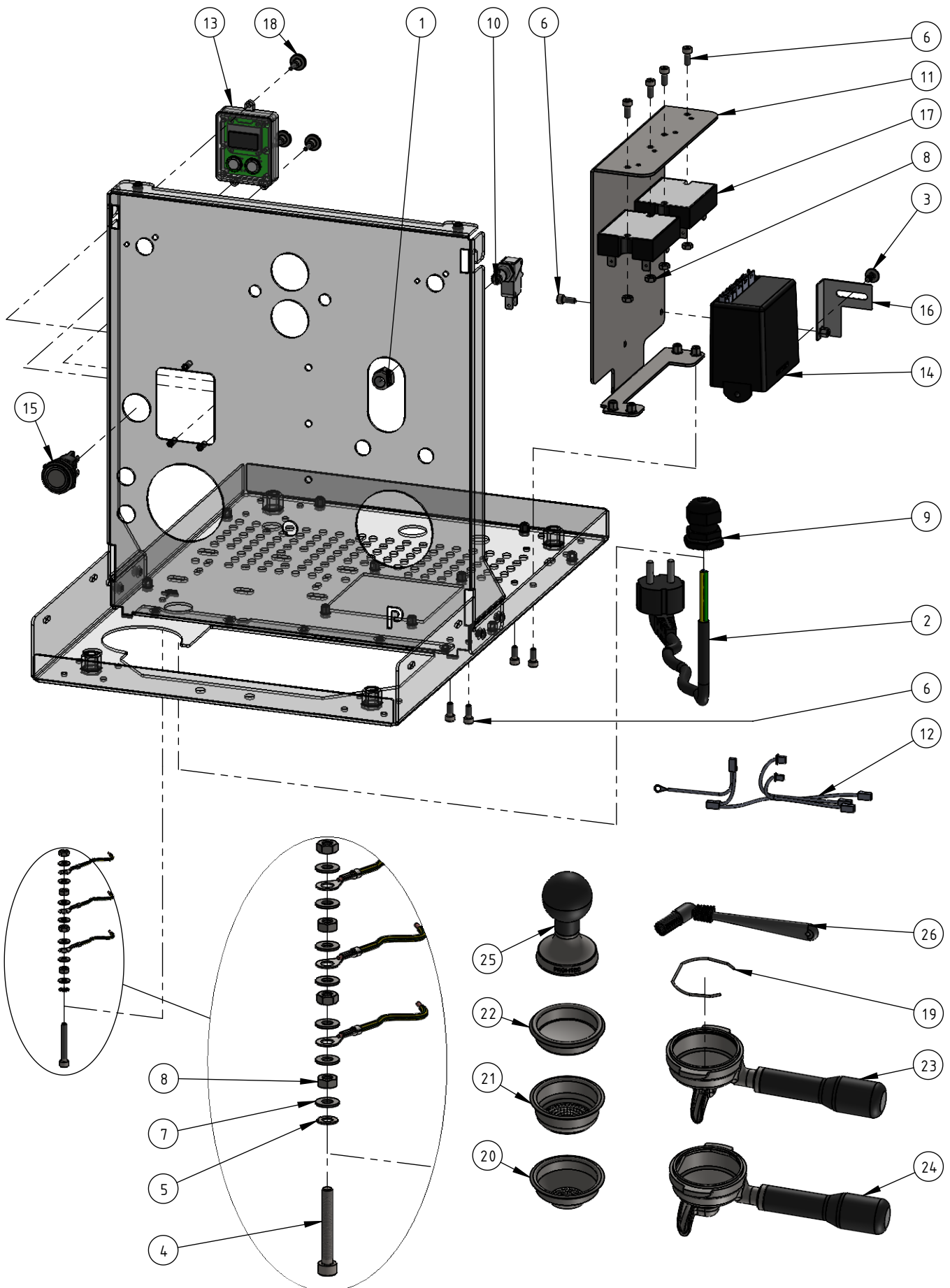
DRIVE EXPLODED DIAGRAM VALVES



**DRIVE
PARTS LIST VALVES**

POS.	ART. NO	BENENNUNG	DESCRIPTION
1	B5220606	Pfanne Dampf/ Heißwasserventil	Socket steam-/hot water valve
2	B5471532	Feder Dampf-/Heißwasserventil	Spring steam-/hot water valve
3	B7496073	O-Ring Nuss Dampf- Heißwasserlanze	O-Ring nut steam-hotwaterlance
4	B7496083	OR Lanzendüsen NBR schwarz	OR Lances nozzles NBR black
5	C329900682	Mutter (halb) 1/4"	Half nut 1/4"
6	C439900840	Brühhebelgriff M8	Lever knob
7	P2540	Heißwasserrohr No-Burn	Hot water pipe No-Burn
8	P2540.1	Perlator Heißwasserrohr	Perlator hot water pipe
9	P2541	Dampfrohr No-Burn	Steam lance No-Burn
10	P2542.1	OR Dampfdüse Silikon rot	OR Lances nozzles silicone red
11	P2543	Dampfdüse 2-Loch	Steam nozzle 2 holes
12	P6001.2	Sieb Heißwasserauslass	Strainer hot water outlet
13	P6002.5	Nuss Dampf-/Heißwasserrohr	Nut Steam / hot water pipe
14	P6003.2	Inox-Einsatz Ring QS	Inox insert ring QS
15	P6003.3	Hebel QS Inox Halbkugel	Lever QS Inox semi-sphere
16	P6003.4	Gleiteinsatz Ventilstößel	Slide insert valve tappet
17	P6003.5	Öffnungsstift Ventildurchlass QS	Opening pin valve passage QS
18	P6003.6	UNI O-Ring 113	UNI-spec. O-Ring 113
19	P6003.7	Ventilfeder QS	Valve spring QS
20	P6003.9	Ventilstift QS	Valve pin QS
21	P6015	Teflondichtung für Ventil	Teflon gasket for valve
22	P6051	Kapillarrohr Pumpendruckmanometer 1/8"FF	Capillary tube pump pressure gauge 1/8"FF
23	P6070.3	Anschluss G1/4" M	Connection screw G1/4" M
24	P6070.4	OR Anschluss	OR connection screw
25	P7000.6	Gewindestift M3 x 8	Socket set screw M3 x 8
26	P8110	Gummiisolation Dampf/ Heissw. Profitec	Insulation steam-/hot water wand
27	P8119	Ventil QS	Ventil QS
28	P8119.1	Ventilkorpus	Valve body
29	P8119.2	Überwurfmutter Ventilkorpus	Swivel nut valve body

DRIVE EXPLODED DIAGRAM ELECTRONICS



DETAIL: Provision for Earthing
Erdungsanschluss

DRIVE
PARTS LIST ELECTRONICS

POS.	ART. NO	BENENNUNG	DESCRIPTION
1	B5221875CM	Mutter Mikroschalter M10 x 0,75	Hexagon nut microswitch
2	C199900957	Netzkabel Schuko-Stecker	Power cord-set
	P2034	Netzkabel US-Stecker	Power cord-set US plug
	P2035	Netzkabel UK-Stecker	Power cord-set UK plug
	P2036	Netzkabel AU-Stecker	Power cord-set AU plug
	P2037	Netzkabel CH-Stecker	Power cord-set CH plug
3	P1968	Schraube Befestigung Elektronik / Netzteil	Fastening screw control / power supply unit
4	P1983	Zylinderschraube M4 x 30 A2	Hex socket head cap screw M4 x 30 A2
5	P2004	Fächerscheibe M4 A2	Serrated lock washer M4 A2
6	P2006	Zylinderkopfschraube M4 x 10 A2	Hex socket head cap screw M4 x10 A2
7	P2009	Unterlegscheibe M4 A2	Washer M4 A2
8	P2026	Sechskantmutter M4 A2	Hex nut M4 A2
9	P2070	Kabelbefestigung mit Mutter	Cable gland with nut
10	P2081	Mikroschalter Rollenstößel	Microswitch with wheel
11	P2112	Halterung Elektronik/ Netzteil/ Relais	Bracket electronic/ power supply/ relais
12	P2662	Kabelbaum	Cable harness
13	P2802	OLED-Anzeige 2xTaster	OLED-Display 2x Buttons
14	P2803	Elektronik 230V & 110V	Control 230V & 110V
15	P2823	Anti-vandal Schalter 230V	Anti-vandal Switch 230V
16	P3005	Halterung Elektronik	Bracket electronic
17	P6031	Statisches Relais	Solid state relay
18	P6121	Rändelschraube hohe Form M3 x 10 A1	Knurled thumb screw high type M3 x 10 A1
19	C619900098	Haltefeder Filterträger	Locking spring portafilter
20	C619900104	Tassensieb 7g	Filter for 1 cup 7g coffee
21	C619900105	Tassensieb 14g	Filter for 2 cups 14g coffee
22	C619900106	Blindsieb	Blind filter
23	C699900233.1	Filterträger 1 Auslauf	Filter holder 1 spout
24	C699900234.1	Filterträger 2 Ausläufe	Filter holder 2 spouts
25	Pr5105	Tamper Profitec	Tamper Profitec
26	R210	Reinigungspinsel	Cleaning brush coffee machine