

PROFITEC



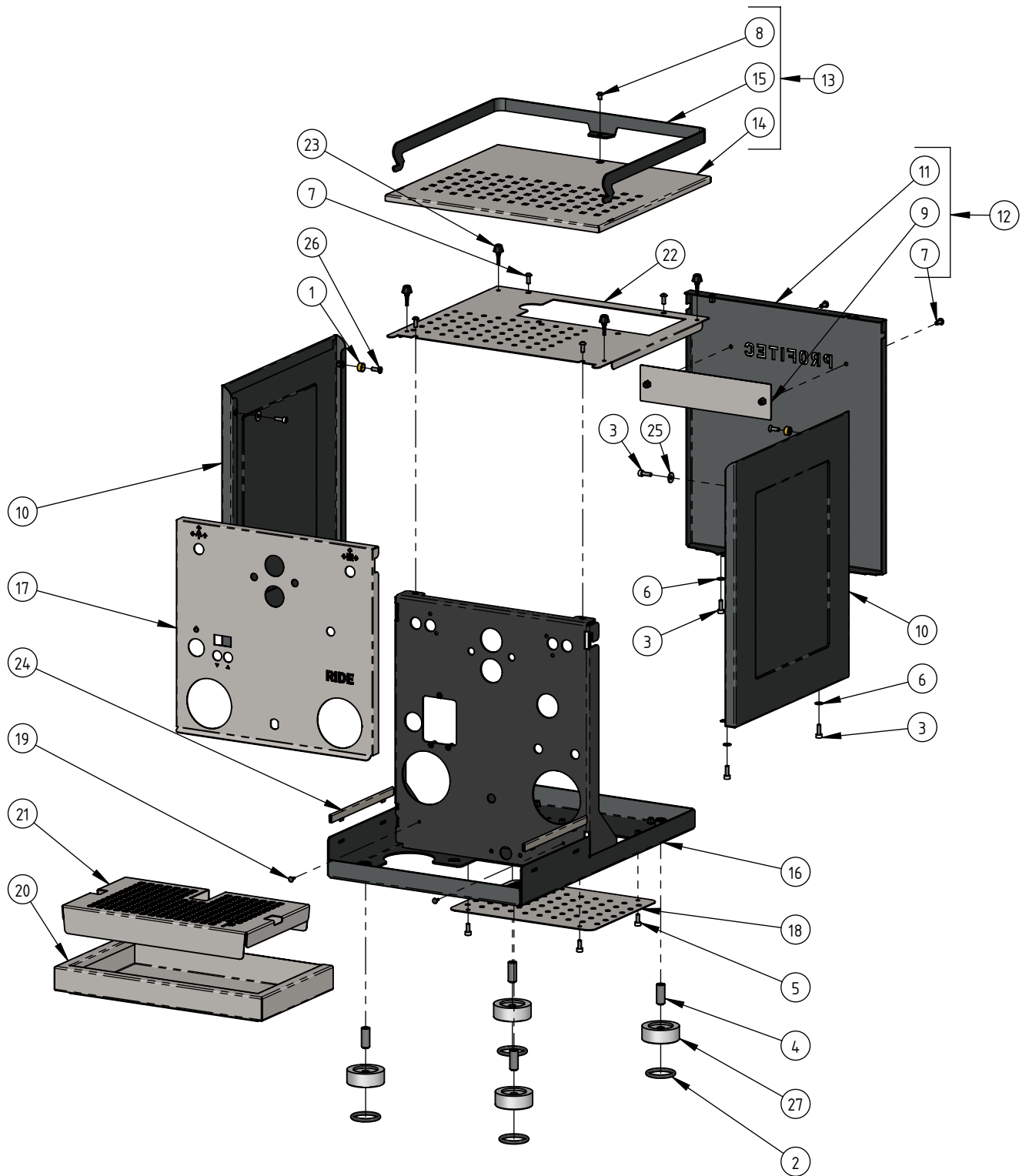
RIDE

Art.-Nr. / Item no. 10650

Ersatzteile / Spare parts

Letzte Änderung : Freitag, 6. Dezember 2024 15:37:57

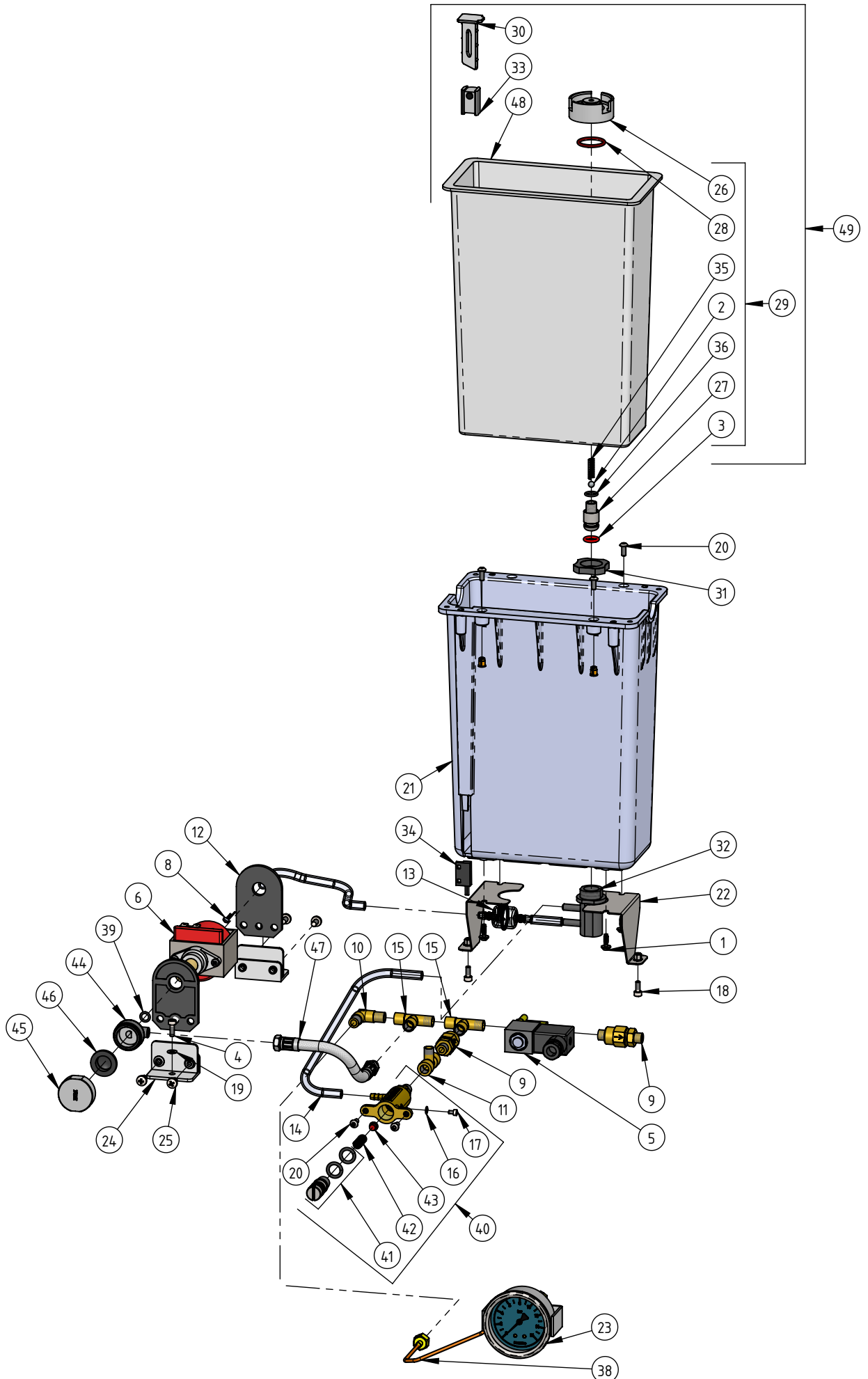
RIDE EXPLODED DIAGRAM CHASSIS



RIDE PARTS LIST CHASSIS

POS.	ART. NO	BENENNUNG	DESCRIPTION
1	B5220818	Buchse Ø10xØ4,7x7	Connector bushing Ø10xØ4,7x7
2	B7474216.1	O-Ring Fuss	O-Ring appliance foot
3	B7819901	Zylinderkopfschraube M4 x 12 A2	Hex socket head cap screw M4 x 12 A2
4	P1984	Gewindestift M10 x 25 A2	Socket set screw flat point M10 x 25 A2
5	P2006	Zylinderkopfschraube M4 x 10 A2	Hex socket head cap screw M4 x10 A2
6	P2009	Unterlegscheibe M4 A2	Washer M4 A2
7	P2022	Linsenkopfschraube M4 x 10 A2	Hex socket button head screw M4 x 10 A2
8	P2055	Linsenkopfschraube M4 x 6 - A2	Hex socket button head screw M4 x 6 - A2
9	P2125.1	Blech Hintergrund Schriftzug	Sheet metal background lettering
10	P2146	Seitenwand	Side panel
11	P2147	Rückwand	Rear panel
12	P2147.1	Rückwand komplett	Rear panel complete
13	P2148	Tassenablage komplett	Cup tray complete
14	P2148.1	Tassenablage	Cup tray
15	P2148.2	Reling Tassenablage	Railing Cup tray
16	P2150.4	Grundchassis	Base frame
17	P2151.5	Frontblech	Front panel
18	P2158	Bodenplatte	Base plate
19	P2282.3	Puffer	Bumper
20	P2362	Auffangschale	Drip tray
21	P2363	Gitter Auffangschale	Grid drip tray
22	P2364	Untere Tassenablage	Lower cup tray
23	P2831	Gummipuffer Silikon	Silicone rubber bumper
24	P3001.6	Schiene Auffangschale	Guide rail drip tray
25	P6100	Unterlegscheibe M4 A2 - ØA=12mm	Washer M4 A2 - ØA=12mm
26	P6113	Senkkopfschraube M4 x 12 - A2	Hex socket countersunk head screw M4 x 12 - A2
27	P7030	Fuss	Appliance foot

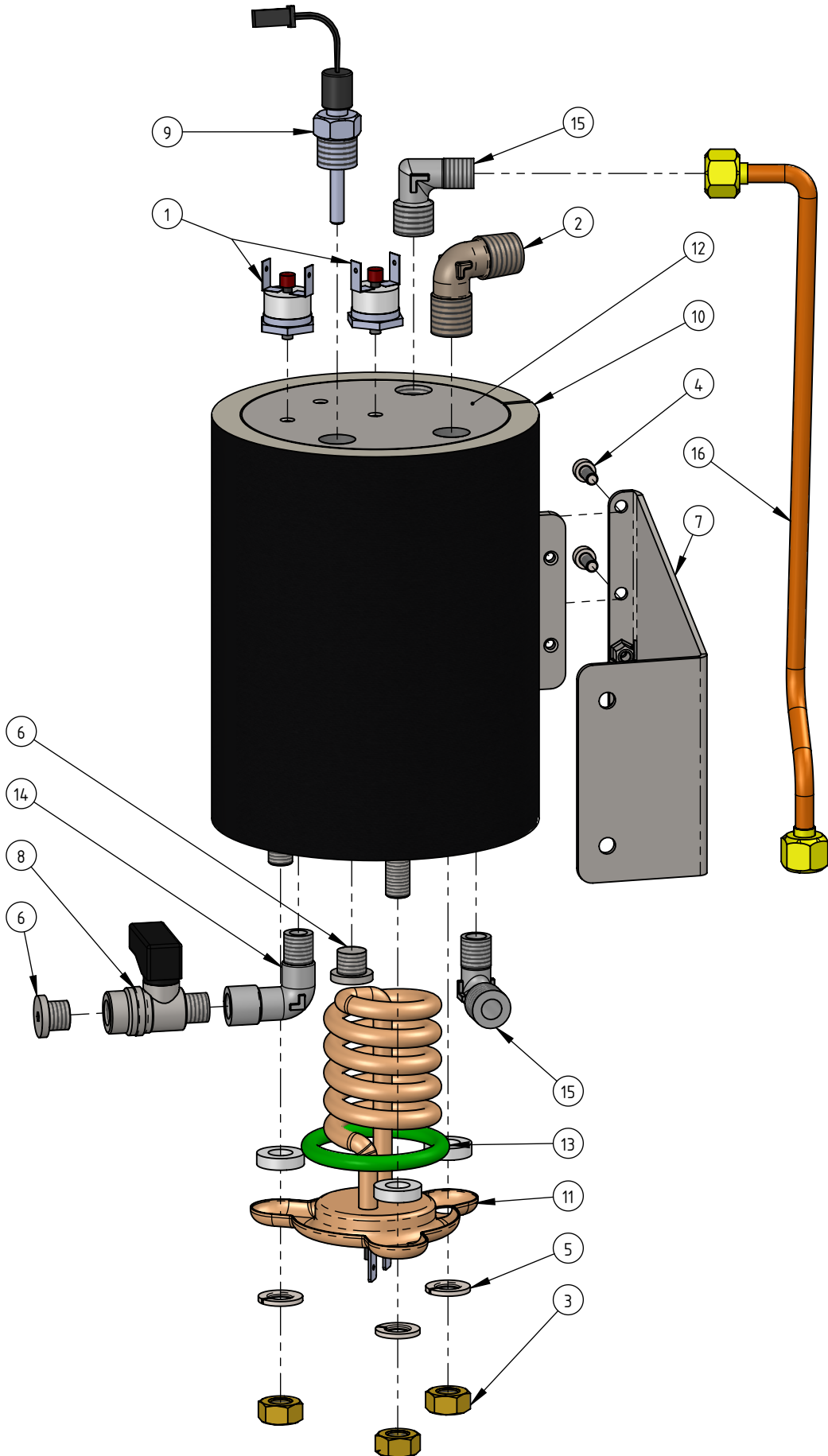
RIDE EXPLODED DIAGRAM HYDRAULICS



RIDE PARTS LIST HYDRAULICS

POS.	ART. NO	BENENNUNG	DESCRIPTION
1			
2	B5471509	Kugel Wassertankverschluss	Ball water tank lock
3	B7496076	Dichtung Wassertankadapter unten	Seal water tank adapter lower
4	B7819901	Zylinderkopfschraube M4 x 12 A2	Hex socket head cap screw M4 x 12 A2
5	C199900275	Magnetventil 2-Wege 1/8"FF 230V/50Hz	Solenoid valve 2-ways 1/8"FF 230V/50Hz
	US1005	Magnetventil 2-Wege 1/8"FF 110V/60Hz	Solenoid valve 2-ways 1/8"FF 110V/60Hz
6	C199900286	Pumpe ULKA EX5 230V/ 50hz	Pump ULKA EX5 230V / 50hz
	US1001	Pumpe US Ulka EAX5 120V/60Hz	Pump US Ulka EAX5 120V/60Hz
	US1025	Pumpe ULKA EX5 100V/ 60Hz	Pumpe ULKA EX5 100V/ 60Hz
7	C199900957	Netzkabel Schuko-Stecker	Power cord-set
8	C199900969	Thermostat Pumpe	Thermoprotection Pump
9	C229900548	Rückschlagventil 1/8" MM	Check valve 1/8" MM
10	C229900579	L-Verbindungsstück 1/8"M 1/8"M	Elbow 1/8"M 1/8"M
11	C229900703	T-Stück 1/8" FMF	T-connector 1/8"FMF
12	C249900770	Halterung Vibrationspumpe	Pump Holder Rubber
13	C439900695	Filter Wassertank	Filter water tank operation
14	C499900772	Silikon Schlauch Ø5 x Ø9	Silicone hose Ø5 x Ø9
15	E2113001	T-Stück G1/8" MFF	T-connector G1/8" MFF
16	P1993	Unterlegscheibe Ø3,2 Nylon	Washer Ø3,2 Nylon
17	P1994	Zylinderkopfschraube M3 x 5 - A2	Hex socket head screw M3 x 5 - A2
18	P2006	Zylinderkopfschraube M4 x 10 A2	Hex socket head cap screw M4 x10 A2
19	P2009	Unterlegscheibe M4 A2	Washer M4 A2
20	P2022	Linsenkopfschraube M4 x 10 A2	Hex socket button head screw M4 x 10 A2
21	P2360	Wassertankführung Kunststoff	Watertank guide Polymere
22	P2361	Träger Wassertankführung Kunststoff	Bracket Watertankguide Plastic
23	P2458	Pumpendruckmanometer	Pump pressure gauge
24	P3006.K	Halterung Vibrationspumpe unten	Lower pump bracket
25	P3019	Schraube Pumpenhalterung ST4,8 x 13mm	Tapping screw ST4.8 x 13
26	P6009.1	Kartuschenhalter Filter	Cartridge holder Filter
27	P6009.2	Stutzen männlich	Male connector
28	P6009.3	O-Ring Kartuschenhalter Wassertank	O-ring filtercartridge holder water tank
29	P6009.BK	Nachrüstset Wassertankadapter mit Filteraufnahme	Retrofit kit water tank adapter with filter holder
30	P6016	Deckel Schwimmer Wassertank	Floater cap water tank
31	P6020.K3	Mutter M20 Wassertank	Watertank adapter connector nut M20
32	P6020.K4	Wassertankadapter M20	Water tank adapter connector
33	P6021	Reed Schwimmer	Reed swimmer
34	P6022	Reed Sensor Wassermangelabschaltung	Reed sensor low water switch-off
35	P6023	Feder Wassertankverschluss	Spring water tank lock
36	P6025	Dichtung Wassertankadapter Mitte	Seal water tank adapter middle
37	P6029.1	Statisches Relais	Solid state relay
38	P6051	Kapillarrohr Pumpendruckmanometer G1/8" FF	Capillary tube pump pressure gauge G1/8" FF
39	P6140	O-ring 6.75x1.78	O-ring 6.75x1.78
40	P7000	Expansionsventil komplett	Expansion valve
41	P7000.2	Druckjustage Expansionsventil	Pressure adjustment spindle expansion valve
42	P7000.3	Feder Expansionsventil	Spring expansion valve
43	P7000.4	Gummistöpsel	Valve seat packing
44	P7005.1	Membrandämpfer-fitting	Membrane damper fitting
45	P7005.2	Verschraubung Membrandämpfer	Cap membrane damper
46	P7005.3	Silikonmembrane	Silicon membrane
47	P8012	Metallschlauch flex L=180mm G1/8" M - G1/8" F	Flex hose L=180mm G1/8" M - G1/8" F
48	P9010	Wassertank Rohling	Water tank blank
49	P9010.BK1	Wassertank komplett mit Reed Schwimmer und Filteraufnahme	Watertank complete with reed floater and filter holder

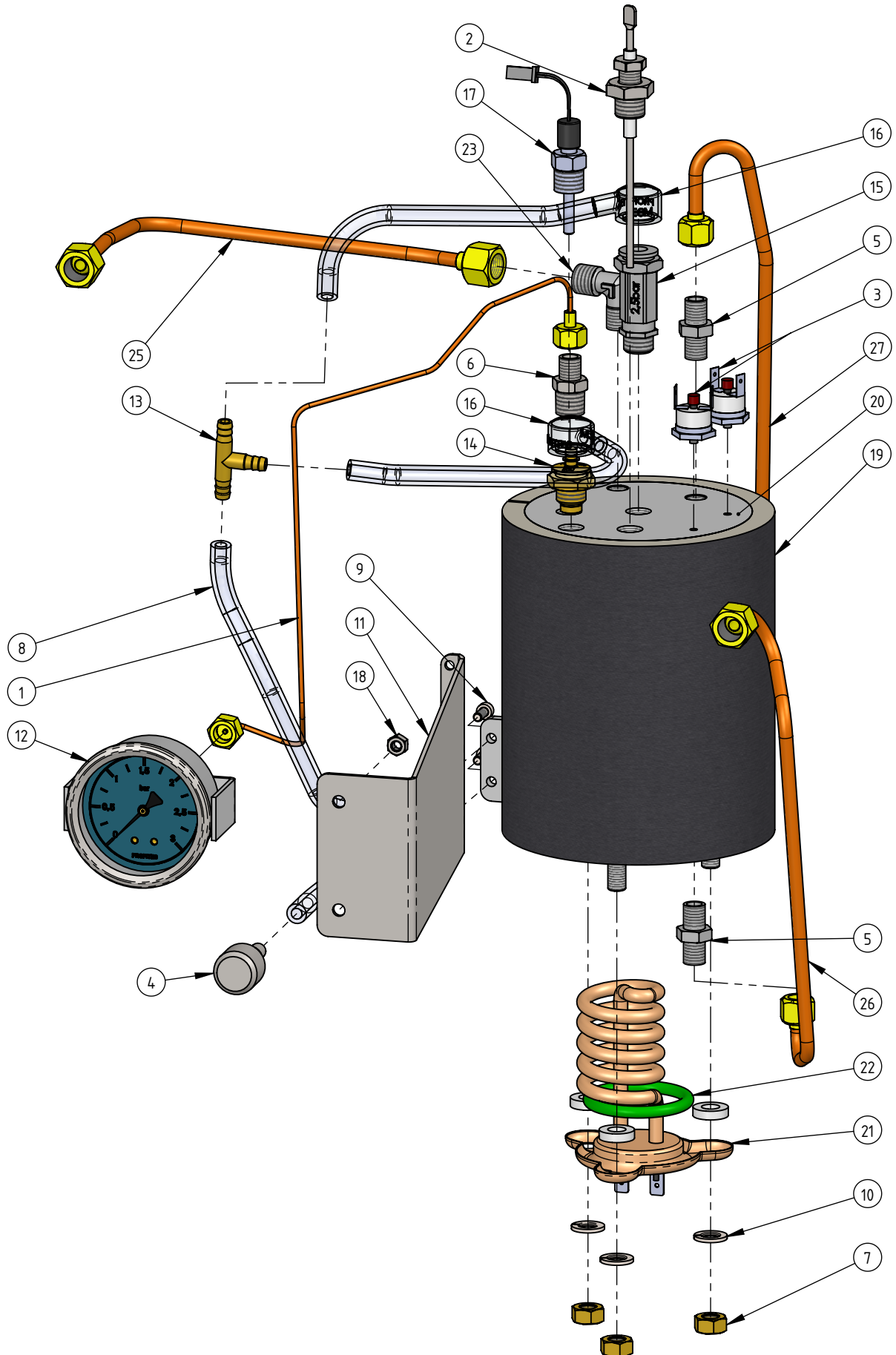
RIDE EXPLODED DIAGRAM COFFEE BOILER



RIDE
PARTS LIST COFFEE BOILER

POS.	ART. NO	BENENNUNG	DESCRIPTION
1	C199901550.1	Sicherheitsthermostat 145°C	Safety thermostat 145°C
2	C229900526	L-Verbindungsstück G1/4" M - R1/4" M	Elbow G1/4" M - R1/4" M
3	C309900127.2	Sechskantmutter M8 Messing	Hex nut M8 brass
4	P2006	Zylinderkopfschraube M4 x 10 A2	Hex socket head cap screw M4 x10 A2
5	P2011	Federring M8 A2	Spring washer M8 A2
6	P2058	Stopfen m. Dichtung G1/8"	Screw plug with gasket G1/8"
7	P2365	Kesselhalterung	Boiler bracket
8	P3029	Absperrventil G1/8" M - F	Stop valve G1/8" M - F
9	P6037	Temperatursensor G1/4"	Temperature probe G1/4"
10	P7051	Isolierung Kaffeekessel	Insulation stainless steel boiler
11	P9011	Heizung Kessel 1000W 230V	Heating element 1000W 230V
	US1057	Heizung 800W 110V	Heating element 800W 110V
12	P9012	Kaffeekessel	Stainless steel boiler
13	P9013	Dichtung Heizung Kessel Edelstahl	Seal heating element stainless steel boiler
14	P9014	L-Verbindungsstück G1/8" M - G1/8" F	Elbow G1/8" M - G1/8" F
15	P9015	L-Stück G1/4"M - G1/8"M	Elbow G1/4"M - G1/8"M
16	P9451	Rohr Befüllung Kaffeekessel	Coffee boiler filling pipe
17	P9033	Scheibe Teflon Ø 8,2 x 15,8 x 4 mm	Washer Teflon Ø 8,2 x 15,8 x 4mm

RIDE EXPLODED DIAGRAM STEAM BOILER



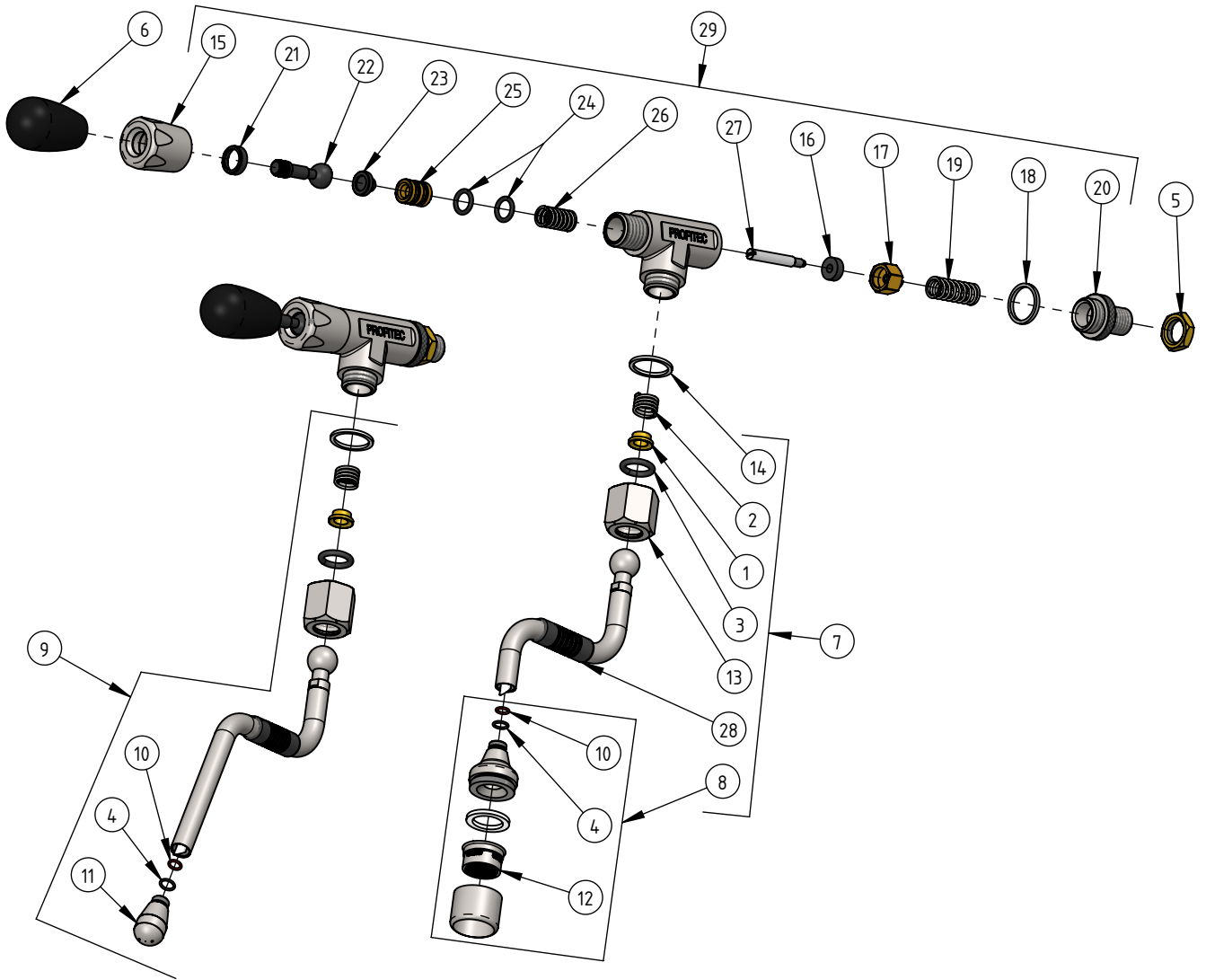
RIDE PARTS LIST STEAM BOILER

POS.	ART. NO	BENENNUNG	DESCRIPTION
1	B7400902	Kapillarrohr Kesseldruckmanometer 1/8"FF	Capillary tube boiler pressure gauge 1/8"FF
2	C199900839	Füllstandssonde G1/4" Länge 80mm	Level probe G1/4" length 80mm
3	C199901550.1	Sicherheitsthermostat 145°C	Safety thermostat 145°C
4	C227700898	Ablaufdüse Messing verchromt	Drain nozzle chromitized brass
5	C229900518	Nippel G1/8" M - G1/8" M	Nipples G1/8" M - G1/8" M
6	C229900519	Nippel G1/4"M - G1/8"M	Nipple G1/4"M - G1/8"M
7	C309900127.2	Sechskantmutter M8 Messing	Hex nut M8 brass
8	C499900772	Silikonschlauch Ø5 x Ø9	Silicone hose Ø5 x Ø9
9	P2006	Zylinderkopfschraube M4 x 10 A2	Hex socket head cap screw M4 x10 A2
10	P2011	Federring M8 A2	Spring washer M8 A2
11	P2365	Kesselhalterung	Boiler bracket
12	P2459	Kesseldruckmanometer	Boiler pressure gauge
13	P2558	T-Stück Silikonschlauch Messing	T-fitting hose brass
14	P2663	Anti-Vakuumventil G1/4" (f. Silikonablaufkappe) ECM/Profitec	Vacuum breaker G1/4" (f. silicone drain cap) ECM/Profitec
15	P2664	Sicherheitsventil G1/4" 2,5 Bar (f. Silikonablaufkappe) ECM/Profitec	Safety relief valve G1/4" 2,5 bar (f. silicone drain cap) ECM/Profitec
16	P2665	Ablaufkappe Silikon f. Sicherheitsventil & Anti-Vakuumventil	Silicone draincap for safety valve & vacuum breaker
17	P6037	Temperatursensor G1/4"	Temperature probe G1/4"
18	P6102	Sechskantmutter M5 A2	Hexagon nut M5 A2
19	P7055	Isolierung Dampfkessel	Insulation steam boiler
20	P7071	Dampfkessel	Steam boiler
21	P9011	Heizung Kessel 1000W 230V	Heating element 1000W 230V
	US1057	Heizung 800W 110V	Heating element 800W 110V
22	P9013	Dichtung Heizung Kessel Edelstahl	Seal heating element stainless steel boiler
23	P9015	L-Stück G1/4"M - G1/8"M	Elbow G1/4"M - G1/8"M
24	P9033	Scheibe Teflon Ø 8,2 x 15,8 x 4 mm	Washer Teflon Ø 8,2 x 15,8 x 4mm
25	P9430	Rohr Dampfentnahme	Steam extraction pipe
26	P9431	Rohr Heißwasserentnahme	Hot water extraction pipe
27	P9450	Rohr Befüllung Dampfkessel	Steam boiler filling pipe

RIDE PARTS LIST BREWGROUP

POS.	ART. NO	BENENNUNG	DESCRIPTION
1	B7479942	Federführung Gruppe	Spring guide group
2	B7479947	Zahnscheibe M8	Lock washer M8
3	C219900423	Feder oben/mitte	Spring top/middle
4	C219900424	Ventil Brühgruppe E61 oben	Valvestem upper brewgroup E61
5	C219900425	Nockenwelle Brühgruppe E61	Camshaft brewgroup E61
6	C219900426	Stopfbuchsendichtung Nockenwelle E61	Glandseal camshaft brewgroup E61
7	C219900427	Feder Achse Gruppe	Spring axis group
8	C219900430	Ventil Brühgruppe E61 unten	Valve group E61 lower
9	C219900431	Feder unten	Spring lower
10	C219903081	Ventil Brühgruppe E61 Mitte	Valve group E61 middle
11	C229900549	Gigleur 0,8	Flow restrictor 0,8
12	C229901128	Sprühverteiler	Sprayer brew group
13	C229901165	Vorbrühzylinder	Sleeve assembly
14	C309900127	Sechskantmutter M8 A2	Hex nut M8 A2
15	C309900131	Gewindestift M8 x 30 A2	Socket set screw flat point M8 x 30 A2
16	C439900840	Brühhebelgriff M8	Lever knob
17	C449900767	Dichtung Brühgruppe am Gehäuse	Gasket brew group/front panel E61
18	C469900421	Dichtung Teflon 35x30x2	Gasket axis 35x30x2
19	C469900422	Dichtung Glocke Brühgruppe	Gasket socket brew group
20	C469900783	Dichtung Teflon E61 unten	Teflon gasket 26x21x2
21	C469901132	Teflondichtung 10x6x1	Teflon gasket 10x6x1
22	C519900103	Duschensieb für alle Modelle E-61	Shower screen E-61
23	C619900554	Metallfilter Gigleur	Inox filter gigleur
24	P1000.3	Brühgruppenzylinder unten	Brewgroup cylinder
25	P1018	Brühgruppe E61 Profitec Edelstahlglocke	Brew Group E-61 Profitec
26	P1018.1	Glocke Edelstahl Profitec Brühgr.komplett	Socket brew group complete Profitec
27	P1021	Gruppendichtung H=8,5mm	Group gasket H=8,5mm
28	P2011	Federring M8 A2	Spring washer M8 A2
29	P2057	Zylinderkopfschraube M6 x 10 A2	Hex socket head cap screw M6 x 10 A2
30	P6127	Unterlegscheibe M8 A2 - ØA=28mm	Washer M8 A2 - ØO=28mm
31	P9454	Rücklaufrohr Brühgruppe	Return pipe brewing group
32	P9455	Zulaufrohr Brühgruppe	Inlet pipe brewing group
33	R000002142	Flansch	Flange
34	R000002143	Stutzen Brühgruppe	Connector Group E61
35	R000002144	Verschraubung Achse Gruppe	Screw joint axis group
36	R000002145	Hebel Achse Gruppe oben mit Bolzen	Lever w. cam and bolt Brewgroup
37	R000002146	Bolzen Hebel	Bolt lever
38	R000002149	Verschraubung unten	Lower discharge group
39	P6101	Linsenkopfschraube - M3 x 8 A2	Hex socket button head screw M3 x 8 A2
40	P2019	Sechskantmutter M3 A2	Hexagon Nut M3 A2

RIDE EXPLODED DIAGRAM VALVES



RIDE
PARTS LIST VALVES

POS.	ART. NO	BENENNUNG	DESCRIPTION
1	B5220606	Pfanne Dampf/ Heißwasserventil	Socket steam-/hot water valve
2	B5471532	Feder Dampf-/Heißwasserventil	Spring steam-/hot water valve
3	B7496073	O-Ring Nuss Dampf- Heißwasserlanze	O-Ring nut steam-hotwaterlance
4	B7496083	O-Ring Lanzendüsen schwarz	O-Ring Lances nozzles black
5	C329900682	Mutter (halb) 1/4"	Half nut 1/4"
6	C439900840	Brühhebelgriff M8	Lever knob
7	P2540	Heißwasserrohr No-Burn	Hot water pipe No-Burn
8	P2540.1	Perlator Heißwasserrohr	Perlator hot water pipe
9	P2541	Dampfrohr No-Burn	Steam lance No-Burn
10	P2542.1	OR Dampfdüse Silikon rot	OR Lances nozzles silicone red
11	P2543	Dampfdüse 2-Loch	Steam nozzle 2 holes
12	P6001.2	Sieb Heißwasserauslass	Strainer hot water outlet
13	P6002.5	Nuss Dampf-/Heißwasserrohr	Nut Steam / hot water pipe
14	P6015	Teflondichtung für Ventil	Teflon gasket for valve
15	P6080.1	Überwurfmutter QS-Ventil klein	Union nut QS valve small
16	P6080.10	Ventilsitzdichtung EPDM	Valve sealing element EPDM
17	P6080.11	Halter Ventilsitzdichtung	Holder valve seat seal
18	P6080.12	Flachringdichtung PTFE	Flat ring seal PTFE
19	P6080.13	Ventilfeder hinten	Valvespring rearside
20	P6080.14	Ventilverschraubung Edelstahl G1/4"	Valve fitting stainless steel G1/4"
21	P6080.2	Einsatzring Ventilmutter	Insert ring valve nut
22	P6080.3	Hebel QS-Ventil klein	Lever QS-valve small
23	P6080.4	Knopf arretierelement Ventil	Button locking element valve
24	P6080.5	O-Ring Ventilkolben	O-Ring valve piston
25	P6080.6	Ventilkolben radial dichtend	Valve piston radial sealing
26	P6080.7	Ventilfeder vorne	Valvespring front
27	P6080.9	Ventilstößel	Valve tappet
28	P8110	Gummiisolation Dampf/ Heissw. Profitec	Insulation steam-/hot water wand
29	P8117	Quick Steam Ventil klein Profitec	Quick Steam valve small Profitec

RIDE PARTS LIST ELECTRONICS

POS.	ART. NO	BENENNUNG	DESCRIPTION
1	89410	Tamper Gerätebeigabe	Tamper machine accessory
2	B5221875CM	Mutter Mikroschalter M10 x 0,75	Hexagon nut microswitch
3	C199900957	Netzkabel Schuko-Stecker	Power cord-set
	P2034	Netzkabel US-Stecker	Power cord-set US plug
	P2035	Netzkabel UK-Stecker	Power cord-set UK plug
	P2036	Netzkabel AU-Stecker	Power cord-set AU plug
	P2036.1	Netzkabel CN-Stecker	Power cord-set CN plug
	P2037	Netzkabel CH-Stecker	Power cord-set CH plug
4	C309900127	Sechskantmutter M8 A2	Hex nut M8 A2
5	C619900098	Haltefeder Filterträger	Locking spring portafilter
6	C619900104	Tassensieb 7g	Filter for 1 cup 7g coffee
7	C619900105	Tassensieb 14g	Filter for 2 cups 14g coffee
8	C619900106	Blindsieb	Blind filter
9	C619900107	Tassensieb 21g	Filter 21g grand crema
10	P1046	Einsatz Silikon 1er Auslauf	Silicone insert 1 spout
11	P1047	Einsatz Silikon 2er Auslauf	Silicone insert 2 spouts
12	P1968	Schraube Befestigung Elektronik / Netzteil	Fastening screw control / power supply unit
13	P1983	Zylinderkopfschraube M4 x 30 A2	Hex socket head cap screw M4 x 30 A2
14	P2004	Fächerscheibe M4 A2	Serrated lock washer M4 A2
15	P2006	Zylinderkopfschraube M4 x 10 A2	Hex socket head cap screw M4 x10 A2
16	P2009	Unterlegscheibe M4 A2	Washer M4 A2
17	P2026	Sechskantmutter M4 A2	Hex nut M4 A2
18	P2068	Zylinderkopfschraube M3 x 8 - A2	Hex socket head cap screw M3 x 8 - A2
19	P2070	Kabelbefestigung mit Mutter	Cable gland with nut
20	P2081	Mikroschalter Rollenstößel	Microswitch with wheel
21	P2159	Halterung Elektronikbox/ Relais	Bracket control box/ relais
22	P2593.1	Kabelbaum	Cable harness
23	P2641	EMI Filter	EMI Filter
24	P2642	Kabelbaum Erweiterung für EMI Filter	Cable harness extension for emi filter
25	P2806	OLED-Anzeige 2x Taster	OLED-Display 2x Buttons
26	P2807	Elektronik 230V & 110V	Control 230V & 110V
27	P2824	Schalter beleuchtet weiß 230V 16A	Pushbutton maintained white 230V 16A
28	P6029.1	Statisches Relais	Solid state relay
29	P6121	Rändelschraube hohe Form M3 x 10 A1	Knurled thumb screw high type M3 x 10 A1
30	Pr5800	Filterträger PROFITEC für Silikoneinsätze	Portafilter PROFITEC for Siliconspout
31	R210	Reinigungspinsel	Cleaning brush coffee machine